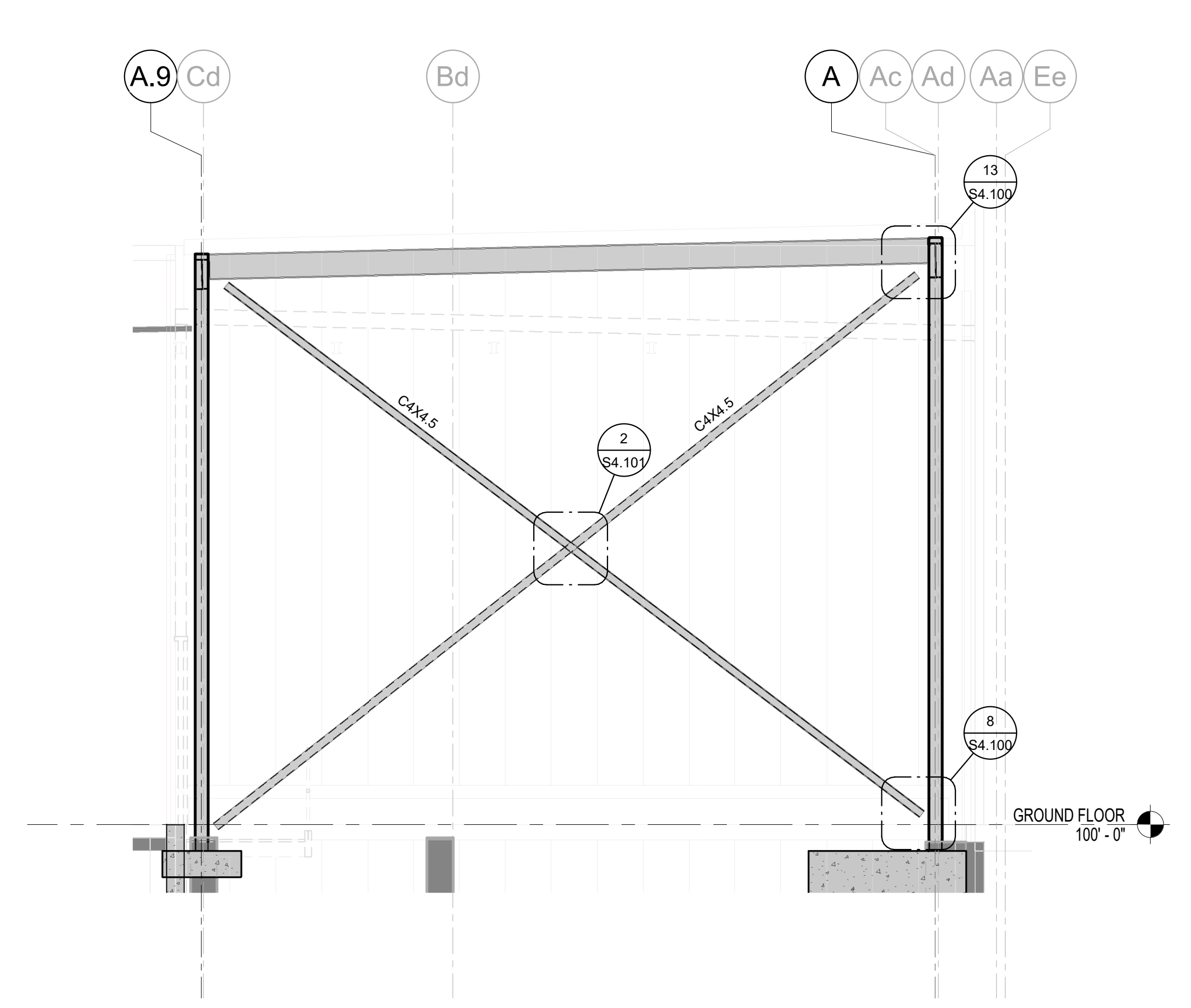
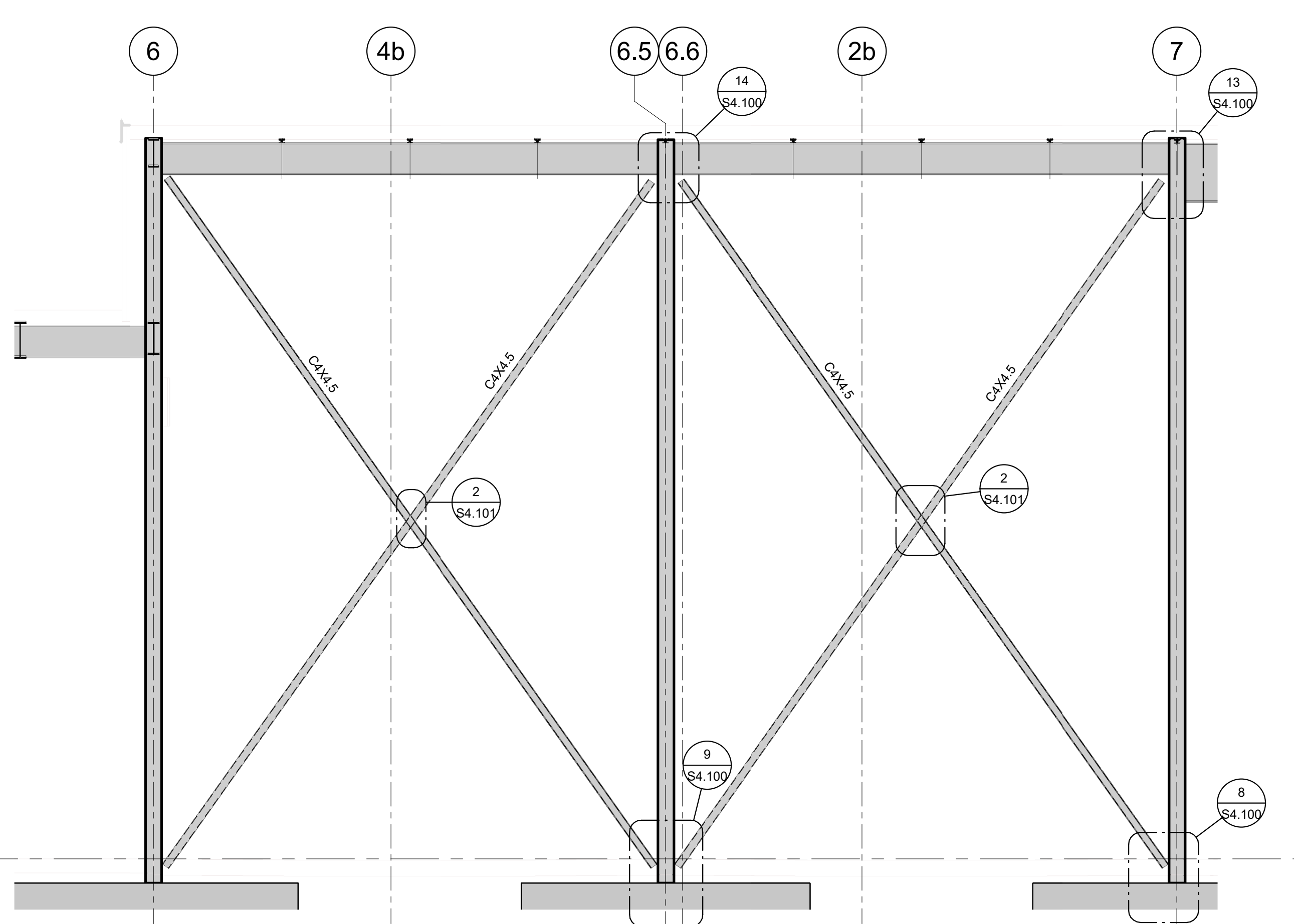


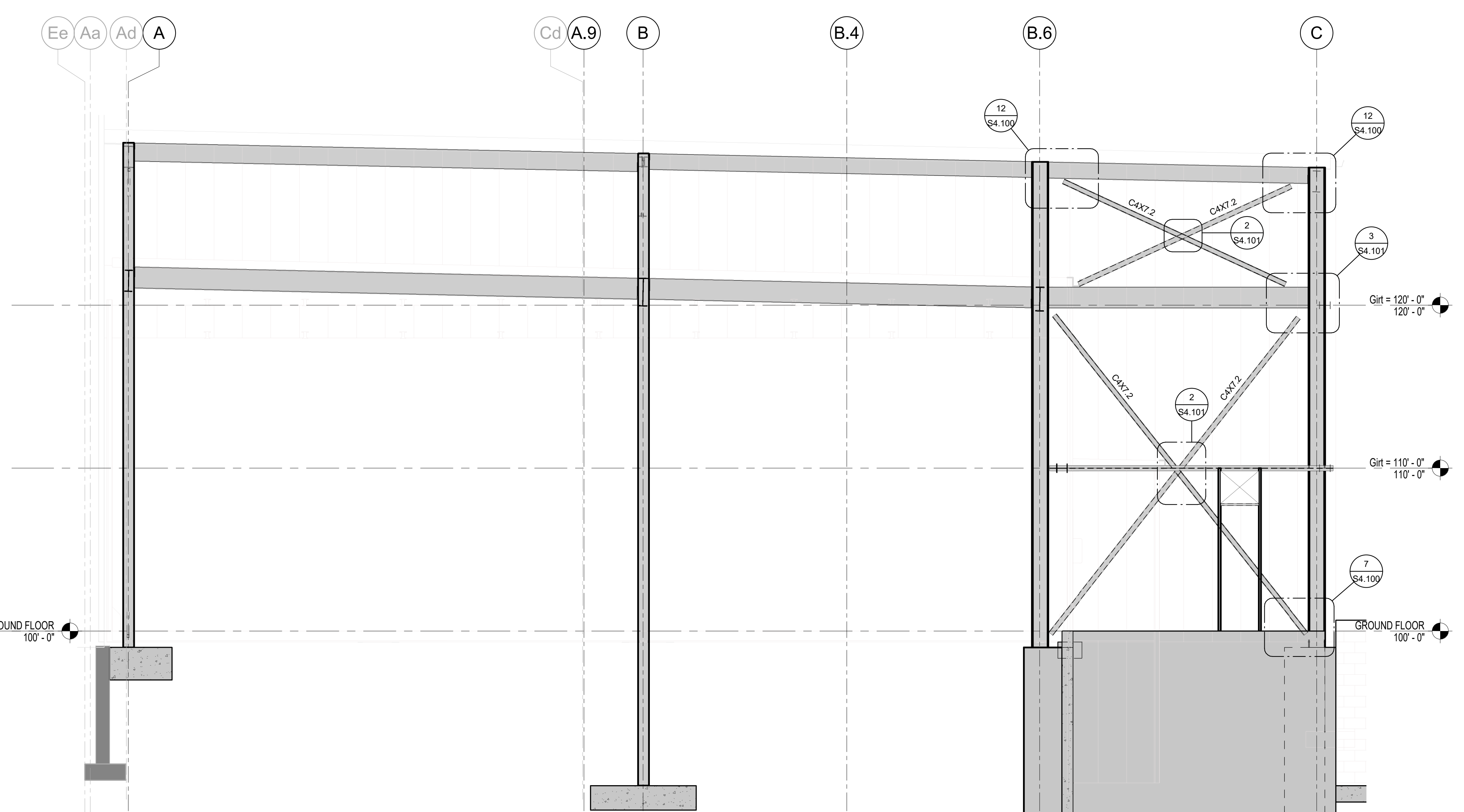
ELEVATION AT GRID B.4
SCALE: 1/4" = 1'-0"



ELEVATION AT GRID 1
SCALE: 1/4" = 1'-0"



ELEVATION AT GRID A
SCALE: 1/4" = 1'-0"



ELEVATION AT GRID 6
SCALE: 1/4" = 1'-0"

- ELEVATION NOTES:
- UNLESS OTHERWISE NOTED, GIRT ELEVATIONS SHOWN ARE TO THE CENTERLINE OF GIRT.
 - SEE DETAILS 18, 19 & 20 ON S2.400 FOR GIRT TO COLUMN CONNECTION.

REV	DATE	DESCRIPTION
A	9/21/22	ISSUED FOR BID

FACILITY EXPANSION / RENOVATION
Perry's Ice Cream
1 Ice Cream Plaza
Akron, NY 14001

ELEVATIONS

Food Tech
An EMCOR Company

18000 W. SARAH LANE, STE. 100
BROOKFIELD, VT 05305

781.261.0700
foodtech.com

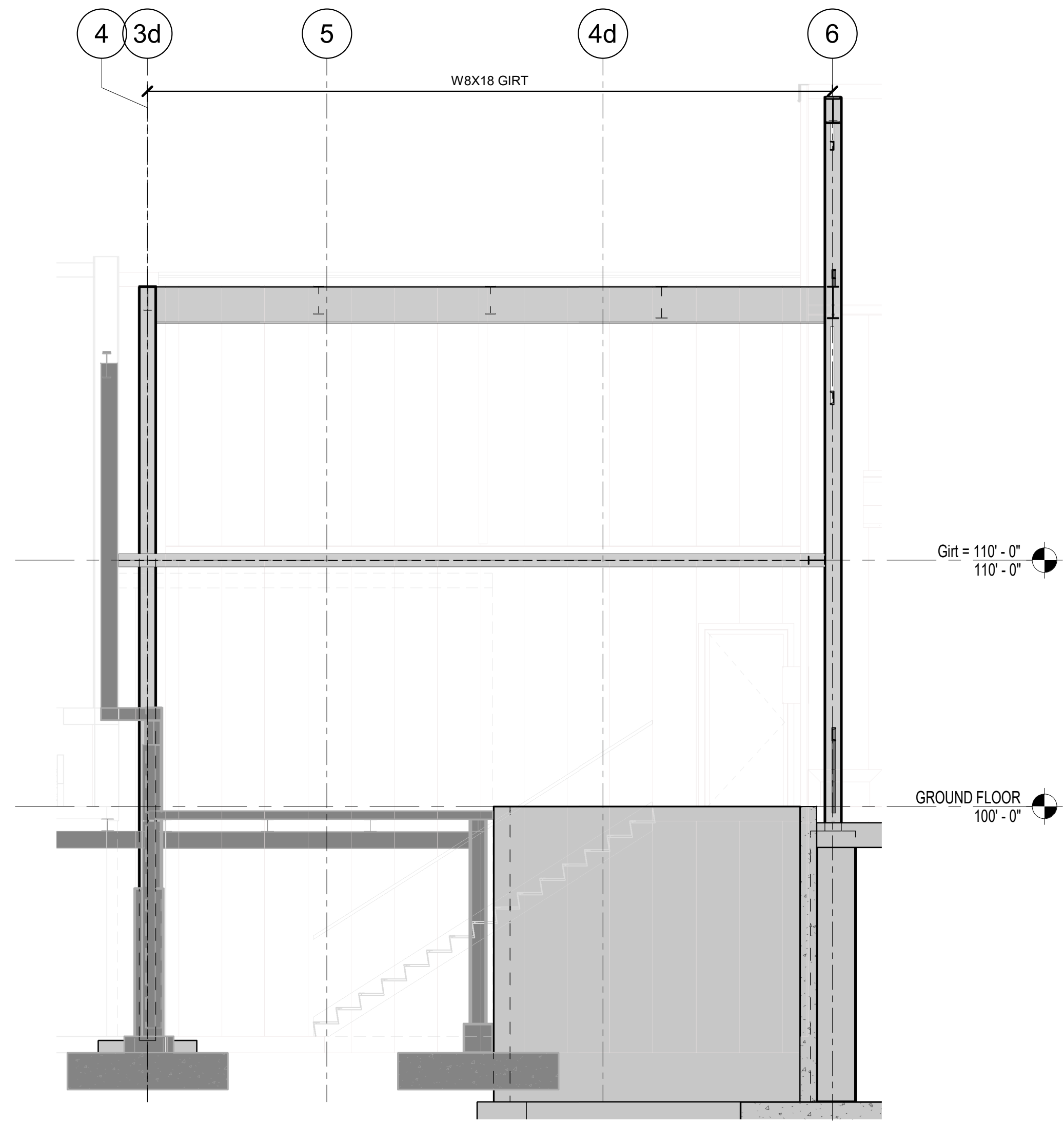
DATE:	09/21/2022
DESIGNED BY:	S. Erickson
DRAWN BY:	D. Barilison
CHECKED BY:	S. Erickson

DRAWING NO.
S3.100

VIEW AND PRINT THIS DRAWING IN COLOR

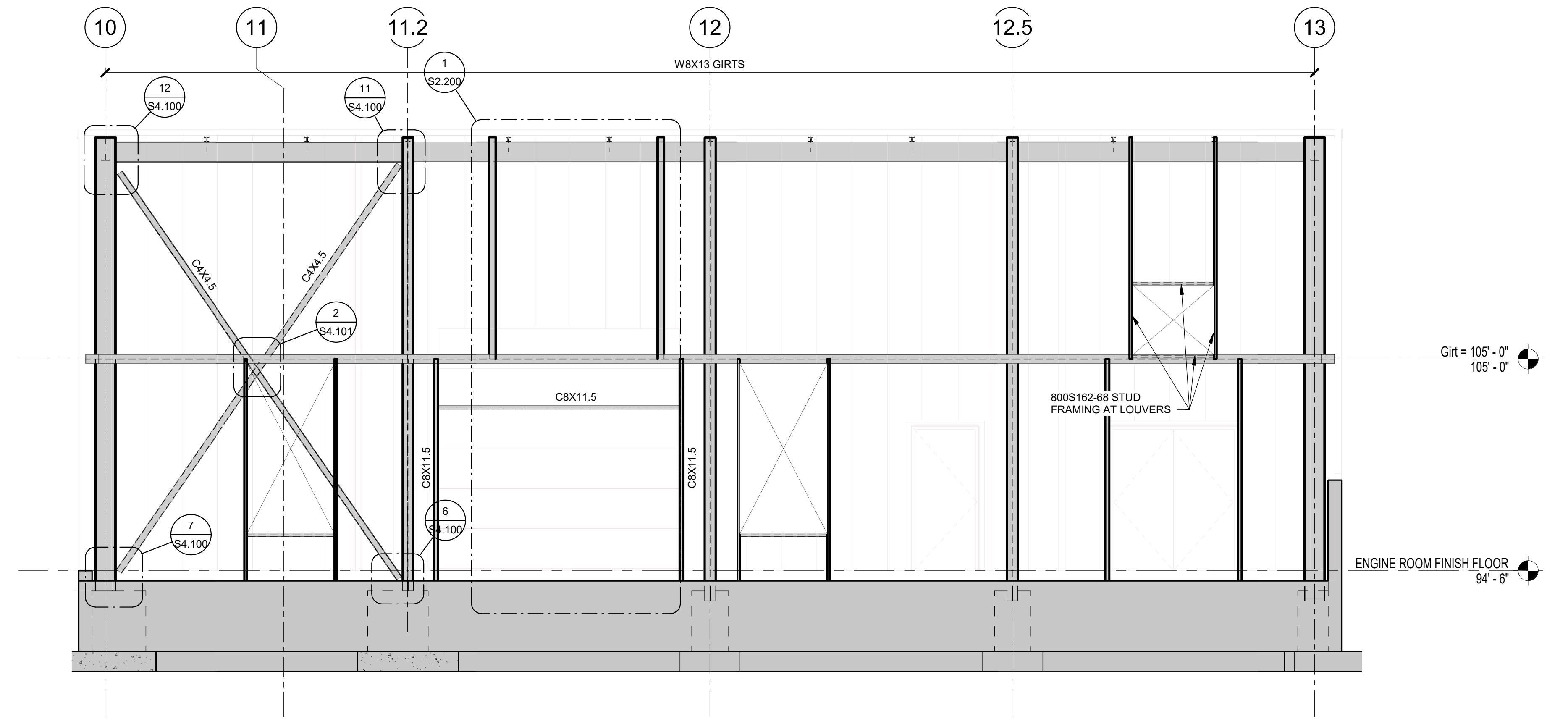
ARW Project #: 22198
102204

Autodesk Docs://Perry's Ice Cream/S:22198-Perry's Ice Cream-2022.rvt 9/21/2022 2:58:53 PM



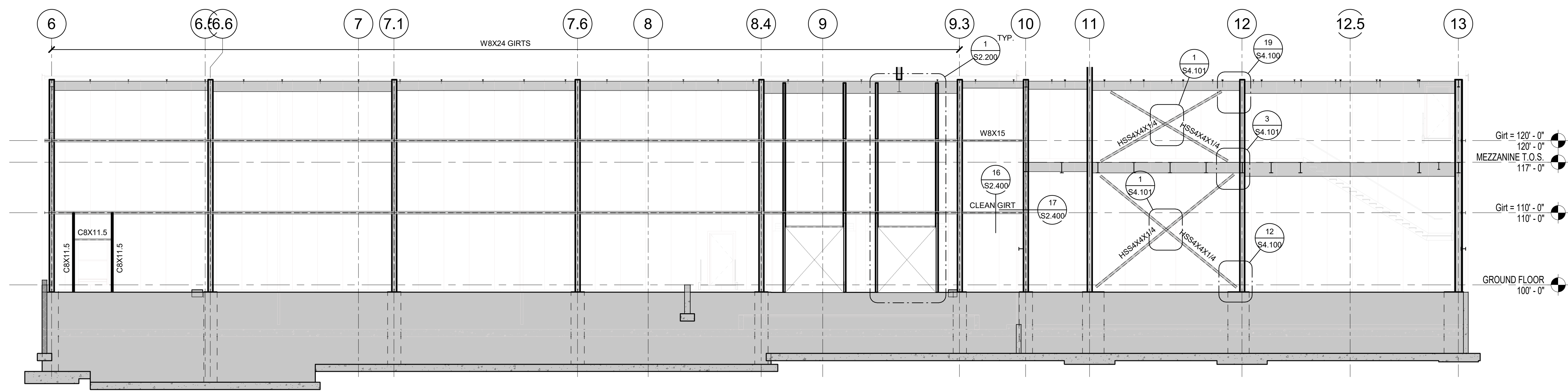
ELEVATION AT GRID B.6
SCALE: 1/4" = 1'-0"

A
63.101



ELEVATION AT GRID F
SCALE: 1/4" = 1'-0"

B
63.101



ELEVATION AT GRID C
SCALE: NONE

C
63.101

REV	DATE	DESCRIPTION
A	9/21/22	ISSUED FOR BID

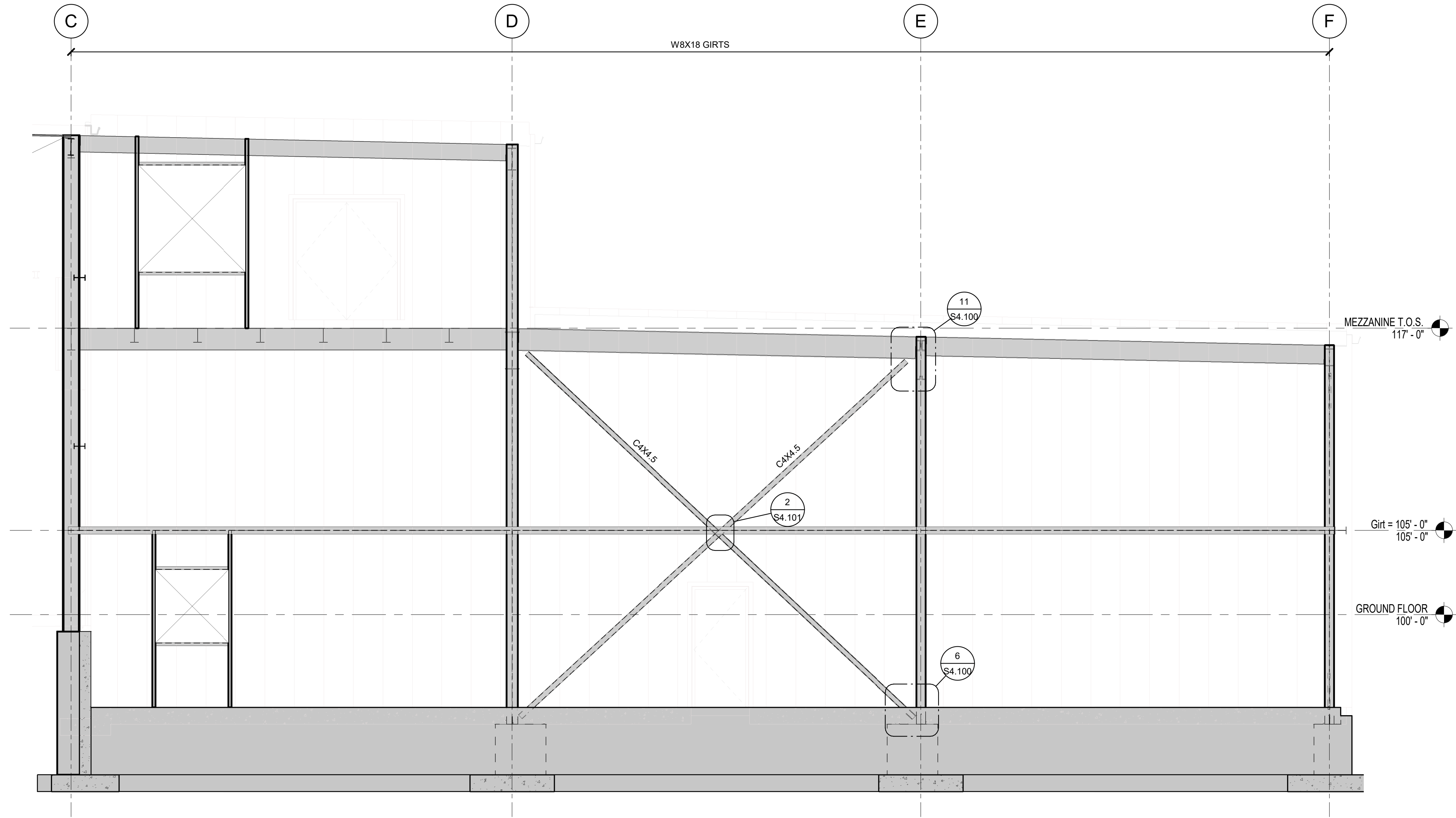
FACILITY EXPANSION / RENOVATION
Perry's Ice Cream
1 Ice Cream Plaza
Akron, NY 14001

ELEVATIONS



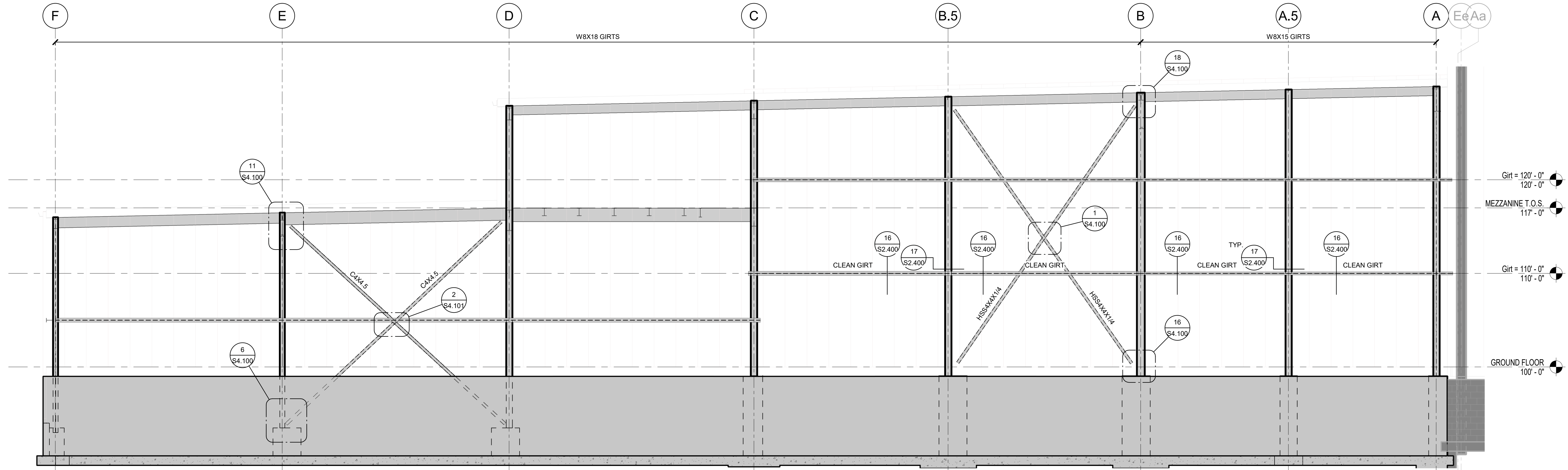
DATE:	09/21/2022
DESIGNED BY:	S. Erickson
DRAWN BY:	D. Barilison
CHECKED BY:	S. Erickson

DRAWING NO.
S3.101
VIEW AND PRINT THIS
DRAWING IN COLOR
ARW Project #: 22198
102204



ELEVATION AT GRID 10
SCALE: NONE

A
63.102



ELEVATION AT GRID 13
SCALE: NONE

C
63.102

9/21/2022 2:28:58 PM Autodesk Docs://Perry's Ice Cream/S:22188-Perry's Ice Cream-2022.rvt

REV	DATE	DESCRIPTION
A	9/21/22	ISSUED FOR BID

FACILITY EXPANSION / RENOVATION
Perry's Ice Cream
1 Ice Cream Plaza
Akron, NY 14001

ELEVATIONS

Food Tech
An EMCOR Company

18000 W. SARAH LANE, STE. 100
BROOKFIELD, VT 05305

781.261.0700
foodtech.com

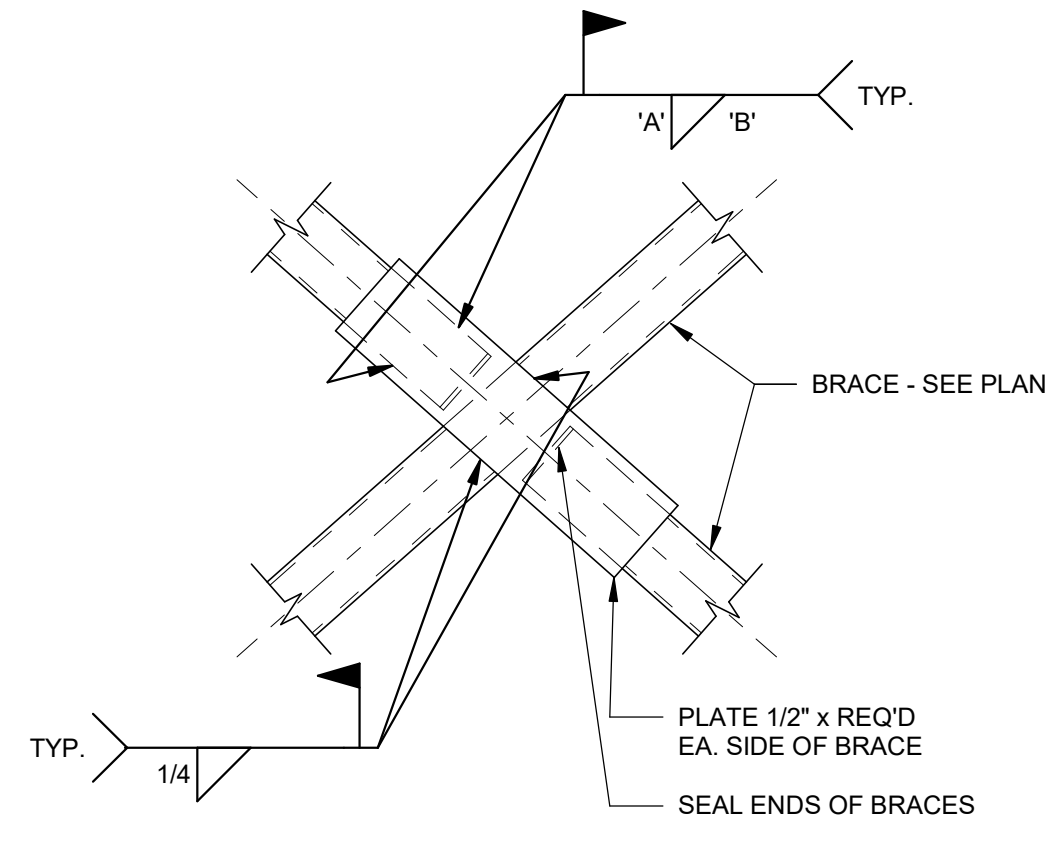
DATE:	09/21/2022
DESIGNED BY:	S. Erickson
DRAWN BY:	D. Bartleson
CHECKED BY:	S. Erickson

DRAWING NO.
S3.102

VIEW AND PRINT THIS
DRAWING IN COLOR

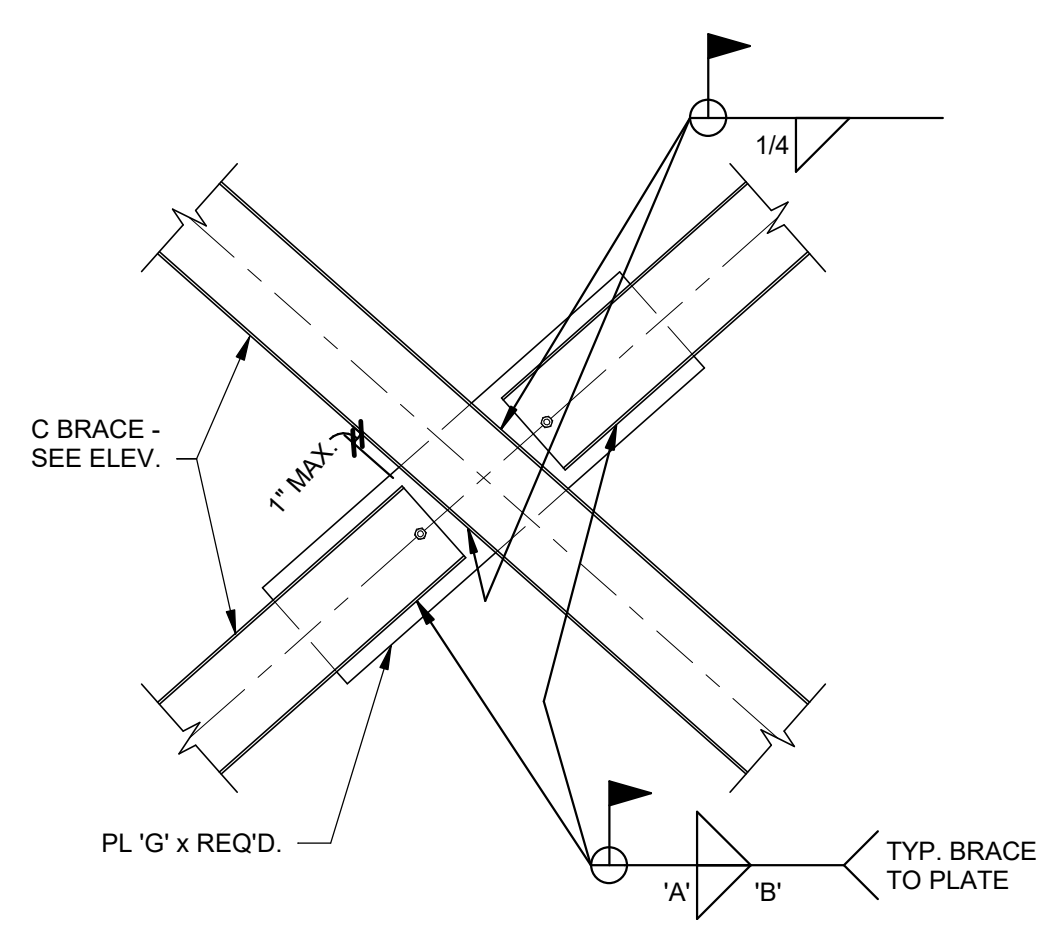
ARW Project #: 22198

102204



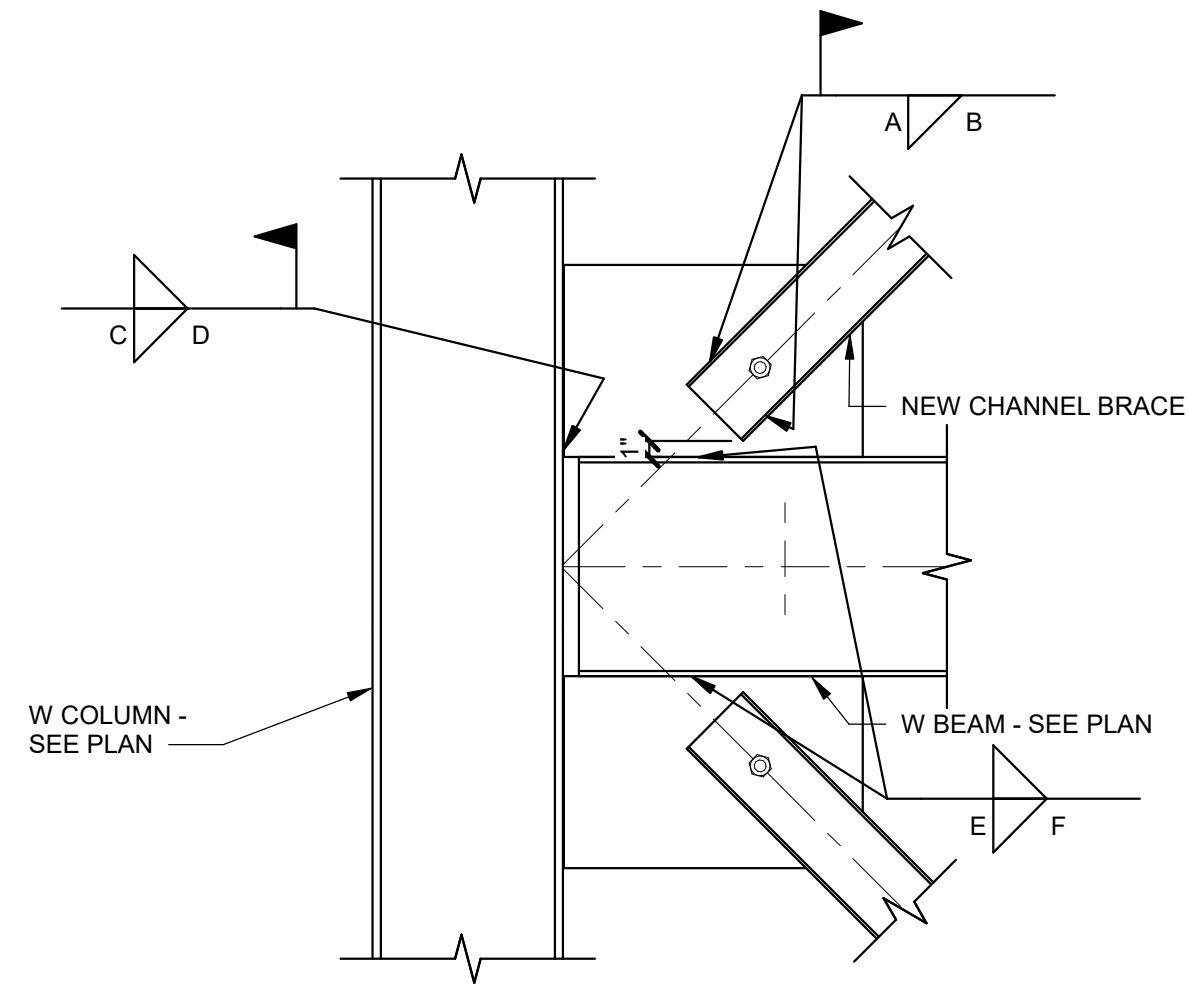
DETAIL
SCALE: NONE

1
S4.101



DETAIL
SCALE: NONE

2
S4.101 L



DETAIL
SCALE: NONE

3
S4.101

DATE: 09/21/2022
DESIGNED BY: S. Erickson
DRAWN BY: D. Barilison
CHECKED BY: S. Erickson

Food Tech
An EMCOR Company
200 LEDGERWOOD PLACE, STE 200
ROCKLAND, MA 02370
TEL: 251-0700
foodtech.com

18000 W. SARAH LANE, STE 100
BROCKFIELD, MA 01945

DETAILS



FACILITY EXPANSION / RENOVATION
Perry's Ice Cream
1 Ice Cream Plaza
Akron, NY 14001

REV	DATE	DESCRIPTION
A	9/21/22	ISSUED FOR BID

DRAWING NO.
S4.101
VIEW AND PRINT THIS
DRAWING IN COLOR
ARW Project #: 22198
102204