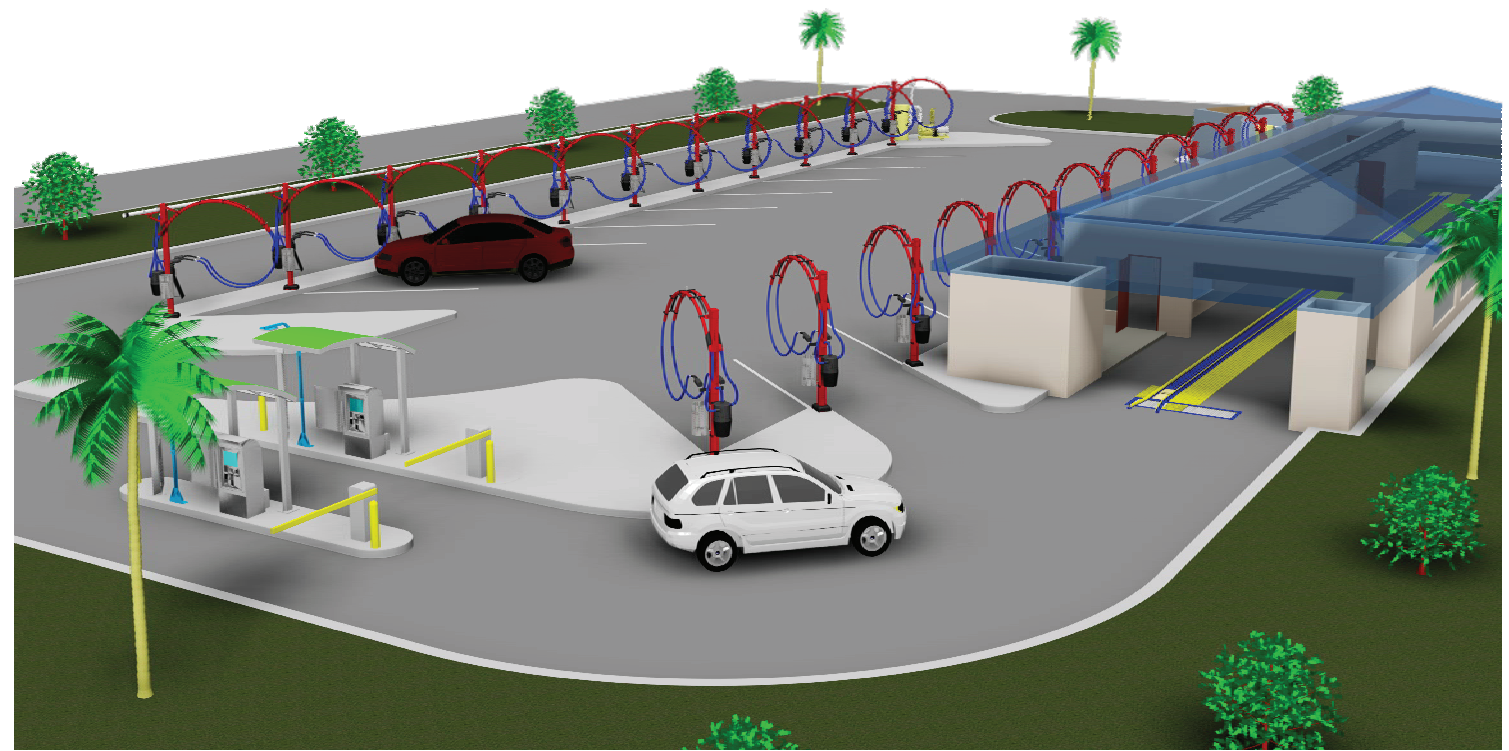


"GENERIC 125\_FT"

Prefix	Project N°	Sheet	Sheet Title
CWP	-125_FT-	0	(INDEX)
CWP	-125_FT-	00	(RENDERED TUNNEL LAYOUT)
CWP	-125_FT-	01	(SITE LAYOUT)
CWP	-125_FT-	02	(TRENCH PIT LAYOUT; GC)
CWP	-125_FT-	03	(BUILDING LAYOUT; GC)
CWP	-125_FT-	04	(CHASE WAY; GC)
CWP	-125_FT-	05	(RECLAIM/SEWER LAYOUT; GC)
CWP	-125_FT-	06	(RECLAIM TANK SYSTEM; GC)
CWP	-125_FT-	07	(RECLAIM SYSTEM; GC)
CWP	-125_FT-	L.1	(EQUIPMENT LAYOUT)
CWP	-125_FT-	L.2	(EQ. TUNNEL DESCRIPTION)
CWP	-125_FT-	L.3	(TUNNEL EQUIPMENT INSTALLATION)
CWP	-125_FT-	L.4	(CORED HOLES; GC)
CWP	-125_FT-	B.1	(EQ. SUPPORT DESCRIPTION)
CWP	-125_FT-	B.2	(CABLE TRAY LAYOUT)
CWP	-125_FT-	M.1	(EQUIPMENT LIST-1)
CWP	-125_FT-	M.2	(EQUIPMENT LIST-2)
CWP	-125_FT-	M.3	(EQUIPMENT LIST-3)
CWP	-125_FT-	M.4	(EQUIPMENT LIST-4)
CWP	-125_FT-	P.1	(PLUMBING; GC)
CWP	-125_FT-	P.2	(CHEMICAL DISTRIBUTION; SCWI)
CWP	-125_FT-	P.2A	(CHEMICAL DISTRIBUTION; SCWI)
CWP	-125_FT-	P.3	(COLD WATER; GC)
CWP	-125_FT-	P.4	(SOFT WATER; GC)
CWP	-125_FT-	P.5	(HP WATER; GC)
CWP	-125_FT-	P.6	(RO WATER; GC)
CWP	-125_FT-	P.7	(RECLAIM WATER; GC)
CWP	-125_FT-	P.8	(PNEUMATIC; GC)
CWP	-125_FT-	P.10	(LEGEND)
CWP	-125_FT-	P.11	(DIVISION OF WORK)
CWP	-125_FT-	V.0	(RENDERED VACUUM LAYOUT)
CWP	-125_FT-	V.1	(VACUUM LAYOUT; GC)
CWP	-125_FT-	V.2	(VACUUM LAYOUT; GC)
CWP	-125_FT-	V.3	(VACUUM LAYOUT; GC)
CWP	-125_FT-	V.4	(VACUUM LAYOUT; GC)
CWP	-125_FT-	V.5	(VACUUM LAYOUT; GC)
CWP	-125_FT-	V.6	(VACUUM LAYOUT; GC)
CWP	-125_FT-	V.7	(VACUUM LAYOUT; GC)
CWP	-125_FT-	V.8	(VACUUM LAYOUT; GC)
CWP	-125_FT-	E.1	(ELECTRICAL; GC)
CWP	-125_FT-	E.2	(CONTROL VOLTAGE; GC)
CWP	-125_FT-	E.3	(MOTOR RUNS; GC)
CWP	-125_FT-	E.4	(ONE LINE ELECTRICAL)
CWP	-125_FT-	E.5	(ELECTRICAL PANEL; GC)
CWP	-125_FT-	E.6	(DIVISION OF WORK/LEGEND; ELECTRICAL)
CWP	-125_FT-	E.7	(TIMING DISTANCES)
CWP	-125_FT-	E.8	(RELAY SCHEDULE-#1; GC)
CWP	-125_FT-	E.9	(RELAY SCHEDULE-#2; GC)
CWP	-125_FT-	E.10	(RELAY SCHEDULE-#3; GC)
CWP	-125_FT-	E.11	(RELAY SCHEDULE-#4; GC)
CWP	-125_FT-	G.0	(RENDERED POS LAYOUT)
CWP	-125_FT-	G.1	(POS CONFIGURATION)
CWP	-125_FT-	G.2	(POS ELECTRICAL LAYOUT; GC)
CWP	-125_FT-	G.3	(POS ELECTRICAL LAYOUT; GC)
CWP	-125_FT-	G.4	(POS CONDUIT DETAIL LAYOUT; GC)
CWP	-125_FT-	G.5	(POS CONDUIT LAYOUT; GC)
CWP	-125_FT-	G.6	(POS POWER LAYOUT; GC)
CWP	-125_FT-	G.7	(POS POWER SCHEDULE)
CWP	-125_FT-	G.8	(POS COMMUNICATION LAYOUT; GC)
CWP	-125_FT-	G.9	(POS COMMUNICATION SCHEDULE)
CWP	-125_FT-	G.10	(POS GATE CONTROL LAYOUT; GC)
CWP	-125_FT-	G.11	(POS GATE CONTROL SCHEDULE)
CWC	-125_FT-	C.1	(SECTION THRU CORRELATOR; GC)
CWT	-125_FT-	T.1	(CONV. TRENCH PLAN VIEW)
CWT	-125_FT-	S.1	(SECTION THRU CONV. & PIT; GC)
CWT	-125_FT-	S.2	(SECTION THRU TUNNEL; GC)
CWT	-125_FT-	S.3	(SECTION THRU CONV.; GC)
CWT	-125_FT-	S.4	(TRASH PIT; GC)



**DISCLAIMER**  
 ALTHOUGH BUILDING CODES HAVE BEEN CONSIDERED IN DEVELOPING THIS DRAWING, VERIFICATION OF SITE SPECIFIC CONDITIONS AND COMPLIANCE WITH FEDERAL, STATE AND LOCAL BUILDING CODES IS THE EXCLUSIVE RESPONSIBILITY OF THE CUSTOMER AND/OR ARCHITECT AND ENGINEER. THESE DRAWINGS REFLECT REQUIREMENTS FOR SONNY'S FURNISHED EQUIPMENT ONLY UNLESS OTHERWISE NOTED. PLEASE REFER TO OTHER MANUFACTURERS, IF ANY, FOR THEIR EQUIPMENT REQUIREMENTS.

**CONFIDENTIAL WARNING:**  
 THIS SHEET CONTAINS AND CONSTITUTES CONFIDENTIAL INFORMATION, IMAGES AND TRADE SECRETS OF SONNY'S ENTERPRISES INC. ANY UNAUTHORIZED USE OR DISCLOSURE OF ANY OR PORTION THEREOF, IS STRICTLY PROHIBITED. THIS WORK IS THE EXCLUSIVE PROPERTY OF SONNY'S ENTERPRISES INC. ALL RIGHTS RESERVED.

## CWP-125\_FT-Generic

SCALE: N.T.S. LOCATION: FL

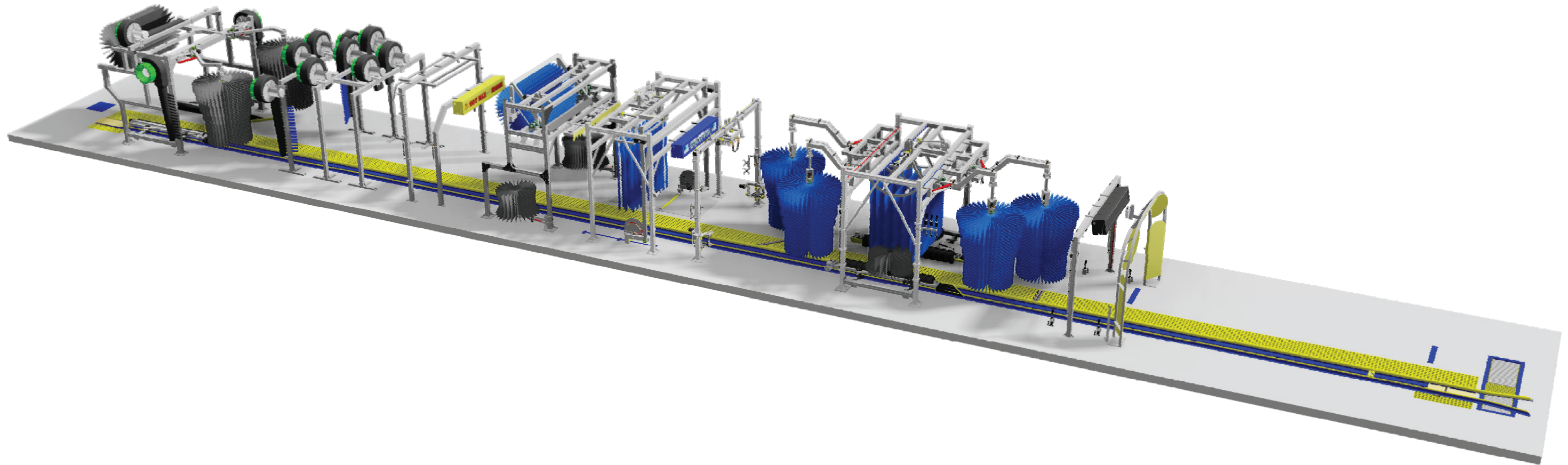
Sheet	Rev.
0	+

SHEET INDEX

DATE:	11.06.17
REVISION DATE:	04.18.18
CREATED BY:	LV
REVISED BY:	FAO
CHECKED BY:	Luis V.

http://www.SonnysDirect.com





DATE:	11.06.17
REVISION DATE:	04.18.18
CREATED BY:	LV
REVISED BY:	FAO
CHECKED BY:	Luis V.

**SONNY'S**  
 The CarWash Factory  
<http://www.SonnysDirect.com>

RENDERED TUNNEL LAYOUT

© 2018 SONNY'S ENTERPRISES, INC. 5605 Hiatus Road, Tamarac, FL. 33321 USA. TEL. 800-327-8723



**DISCLAIMER**  
 ALTHOUGH BUILDING CODES HAVE BEEN CONSIDERED IN DEVELOPING THIS DRAWING, VERIFICATION OF SITE SPECIFIC CONDITIONS AND COMPLIANCE WITH FEDERAL, STATE AND LOCAL BUILDING CODES IS THE EXCLUSIVE RESPONSIBILITY OF THE CUSTOMER AND/OR ARCHITECT AND ENGINEER. THESE DRAWINGS REFLECT REQUIREMENTS FOR SONNY'S FURNISHED EQUIPMENT ONLY UNLESS OTHERWISE NOTED. PLEASE REFER TO OTHER MANUFACTURERS, IF ANY, FOR THEIR EQUIPMENT REQUIREMENTS.

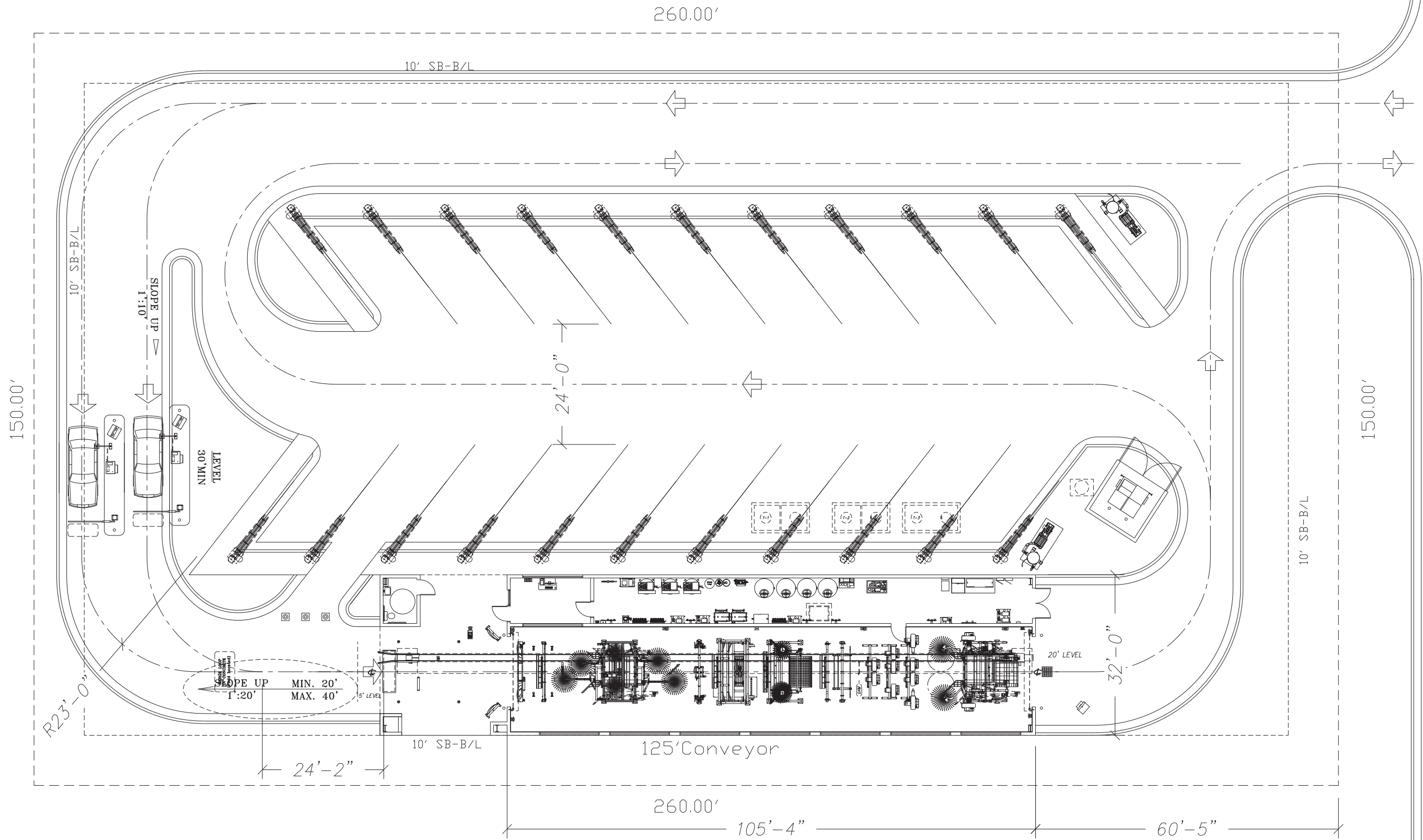
**CONFIDENTIAL WARNING:**  
 THIS SHEET CONTAINS AND CONSTITUTES CONFIDENTIAL INFORMATION, IMAGES AND TRADE SECRETS OF SONNY'S ENTERPRISES INC. ANY UNAUTHORIZED USE OR DISCLOSURE OF ANY OR PORTION THEREOF, IS STRICTLY PROHIBITED. THIS WORK IS THE EXCLUSIVE PROPERTY OF SONNY'S ENTERPRISES INC. ALL RIGHTS RESERVED.

**CWP-125\_FT-Generic**

SCALE: N.T.S. LOCATION: FL

Sheet	Rev.
00	- + -





NOT FOR CONSTRUCTION UNTIL APPROVED BELOW.

APPROVED BY: \_\_\_\_\_ DATE: \_\_\_\_\_

**DISCLAIMER**  
 ALTHOUGH BUILDING CODES HAVE BEEN CONSIDERED IN DEVELOPING THIS DRAWING, VERIFICATION OF SITE SPECIFIC CONDITIONS AND COMPLIANCE WITH FEDERAL, STATE AND LOCAL BUILDING CODES IS THE EXCLUSIVE RESPONSIBILITY OF THE CUSTOMER AND/OR ARCHITECT AND ENGINEER. THESE DRAWINGS REFLECT REQUIREMENTS FOR SONNYS'S FURNISHED EQUIPMENT ONLY UNLESS OTHERWISE NOTED. PLEASE REFER TO OTHER MANUFACTURERS, IF ANY, FOR THEIR EQUIPMENT REQUIREMENTS.

**CONFIDENTIAL WARNING:**  
 THIS SHEET CONTAINS AND CONSTITUTES CONFIDENTIAL INFORMATION, IMAGES AND TRADE SECRETS OF SONNYS'S ENTERPRISES INC. ANY UNAUTHORIZED USE OR DISCLOSURE OF ANY OR PORTION THEREOF, IS STRICTLY PROHIBITED. THIS WORK IS THE EXCLUSIVE PROPERTY OF SONNYS'S ENTERPRISES INC. ALL RIGHTS RESERVED.

**CWP-125\_FT-Generic**  
 SCALE: 1"=20' LOCATION: FL

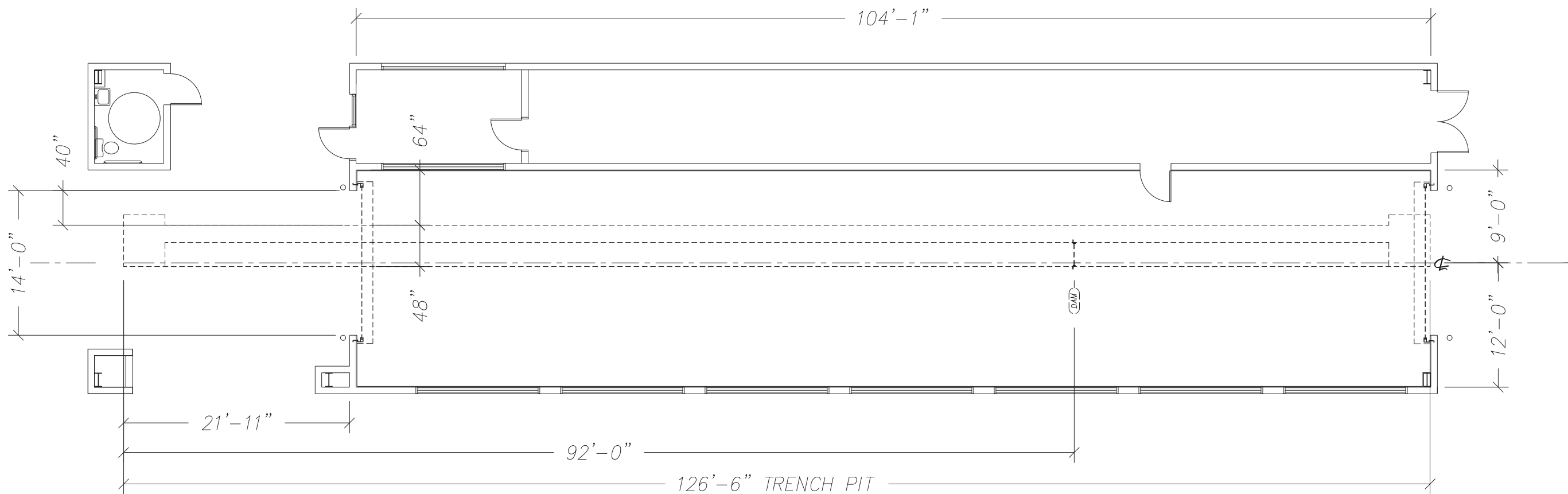
Sheet	Rev.
01	+-

SITE LAYOUT

DATE:	11.06.17
REVISION DATE:	04.18.18
CREATED BY:	LV
REVISED BY:	FAO
CHECKED BY:	Luis V.

**SONNYS'S**  
 The CarWash Factory  
<http://www.SonnysDirect.com>





NOT FOR CONSTRUCTION UNTIL APPROVED BELOW.

APPROVED BY. \_\_\_\_\_ DATE \_\_\_\_\_

**DISCLAIMER**  
 ALTHOUGH BUILDING CODES HAVE BEEN CONSIDERED IN DEVELOPING THIS DRAWING, VERIFICATION OF SITE SPECIFIC CONDITIONS AND COMPLIANCE WITH FEDERAL, STATE AND LOCAL BUILDING CODES IS THE EXCLUSIVE RESPONSIBILITY OF THE CUSTOMER AND/OR ARCHITECT AND ENGINEER. THESE DRAWINGS REFLECT REQUIREMENTS FOR SONNY'S FURNISHED EQUIPMENT ONLY UNLESS OTHERWISE NOTED. PLEASE REFER TO OTHER MANUFACTURERS, IF ANY, FOR THEIR EQUIPMENT REQUIREMENTS.

**CONFIDENTIAL WARNING:**  
 THIS SHEET CONTAINS AND CONSTITUTES CONFIDENTIAL INFORMATION, IMAGES AND TRADE SECRETS OF SONNY'S ENTERPRISES INC. ANY UNAUTHORIZED USE OR DISCLOSURE OF ANY OR PORTION THEREOF, IS STRICTLY PROHIBITED. THIS WORK IS THE EXCLUSIVE PROPERTY OF SONNY'S ENTERPRISES INC. ALL RIGHTS RESERVED.

**CWP-125\_FT-Generic**

SCALE: 3/32"=1' LOCATION: FL

Sheet	Rev.
02	- + -

TRENCH PIT LAYOUT

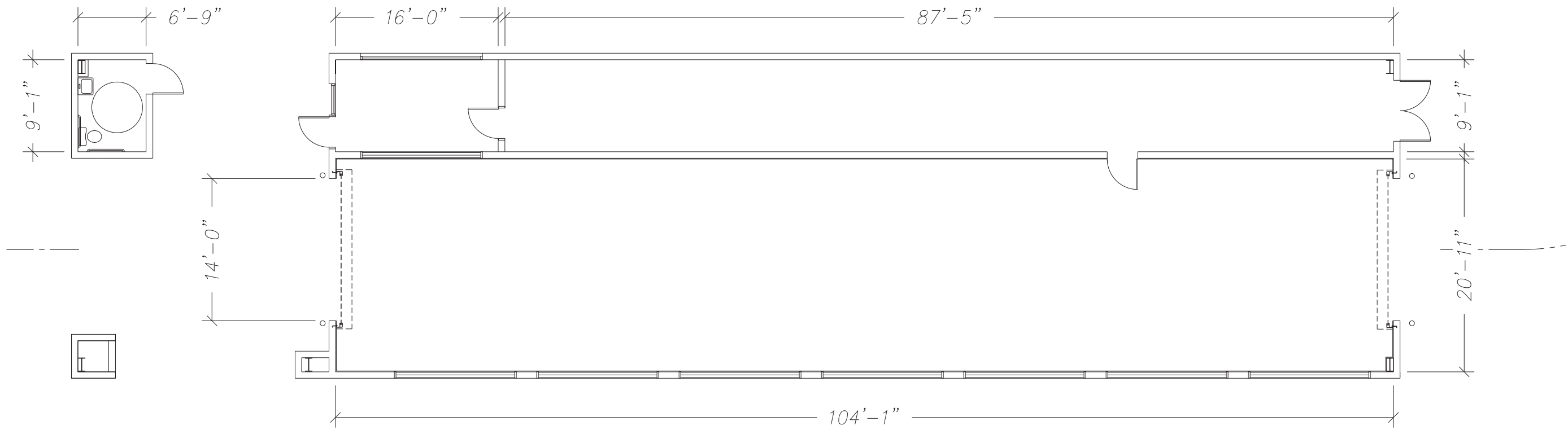


http://www.SonnysDirect.com

© 2018 SONNY'S ENTERPRISES, INC. 5605 Hiatus Road, Tamarac, FL. 33521 USA. TEL. 800-327-8723

DATE:	11.06.17
REVISION DATE:	04.18.18
CREATED BY:	LV
REVISED BY:	FAO
CHECKED BY:	Luis V.





NOT FOR CONSTRUCTION UNTIL APPROVED BELOW.

APPROVED BY. \_\_\_\_\_ DATE \_\_\_\_\_

**DISCLAIMER**  
 ALTHOUGH BUILDING CODES HAVE BEEN CONSIDERED IN DEVELOPING THIS DRAWING, VERIFICATION OF SITE SPECIFIC CONDITIONS AND COMPLIANCE WITH FEDERAL, STATE AND LOCAL BUILDING CODES IS THE EXCLUSIVE RESPONSIBILITY OF THE CUSTOMER AND/OR ARCHITECT AND ENGINEER. THESE DRAWINGS REFLECT REQUIREMENTS FOR SONNY'S FURNISHED EQUIPMENT ONLY UNLESS OTHERWISE NOTED. PLEASE REFER TO OTHER MANUFACTURERS, IF ANY, FOR THEIR EQUIPMENT REQUIREMENTS.

**CONFIDENTIAL WARNING:**  
 THIS SHEET CONTAINS AND CONSTITUTES CONFIDENTIAL INFORMATION, IMAGES AND TRADE SECRETS OF SONNY'S ENTERPRISES INC. ANY UNAUTHORIZED USE OR DISCLOSURE OF ANY OR PORTION THEREOF, IS STRICTLY PROHIBITED. THIS WORK IS THE EXCLUSIVE PROPERTY OF SONNY'S ENTERPRISES INC. ALL RIGHTS RESERVED.

**CWP-125\_FT-Generic**  
 SCALE: 3/32"=1' LOCATION: FL

Sheet	Rev.
03	- + -

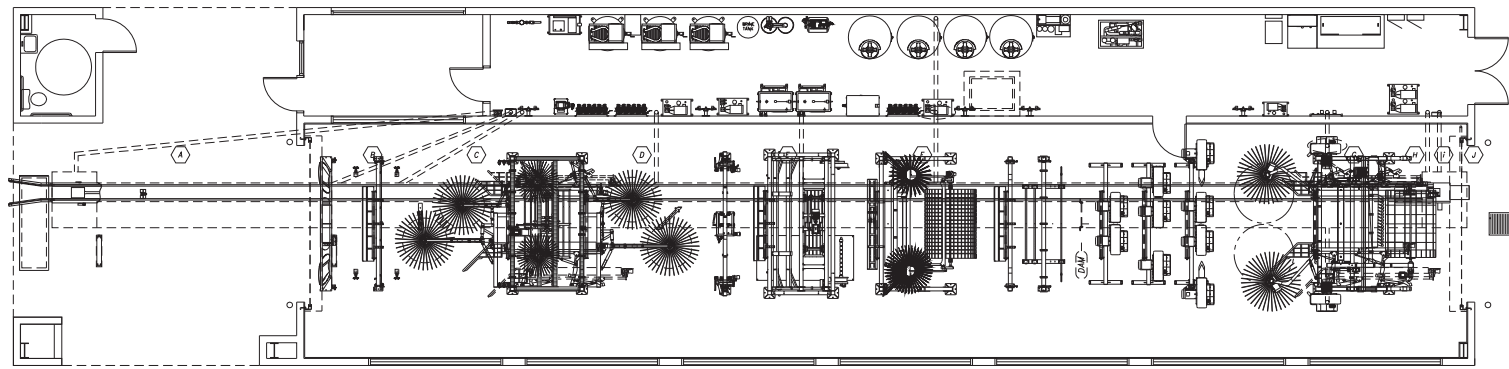
**BUILDING LAYOUT**

http://www.SonnysDirect.com

DATE:	11.06.17
REVISION DATE:	04.18.18
CREATED BY:	LV
REVISED BY:	FAO
CHECKED BY:	Luis V.

© 2018 SONNY'S ENTERPRISES, INC. 5605 Hiatus Road, Tamarac, FL 33321 USA. TEL. 800-327-8723





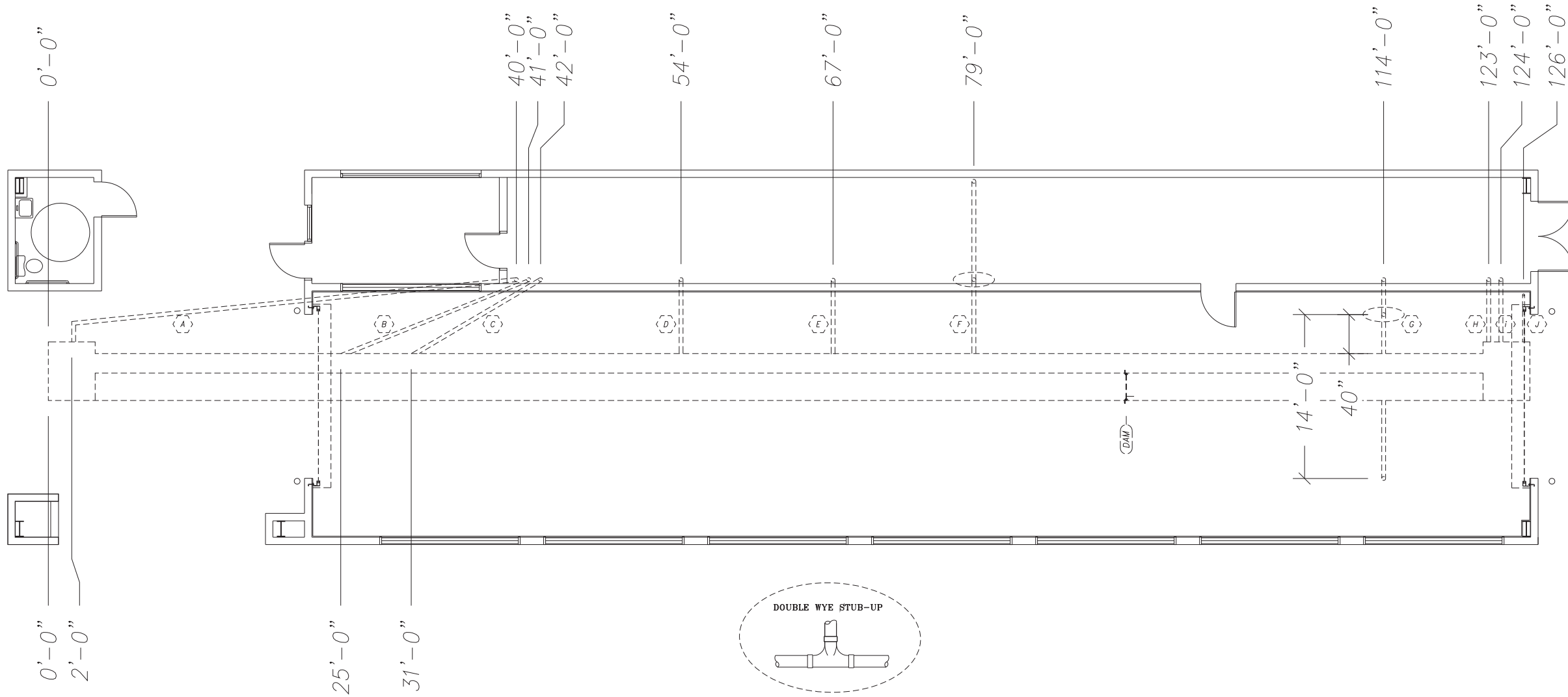
**TYPICAL SELF CLEAN  
CHASEWAY INSTALLATION DETAIL**  
N.T.S.

**CHASEWAYS NOTES**

- SLOPE CHASEWAYS TO DRAIN INTO TRENCH
- 90° BENDS IN CHASEWAYS SHALL BE MADE USING "SWEEP" ELBOWS OR TWO (2) 45° ELBOWS OR "SWEEP" TEE WHEN APPLICABLE.

A 19" BOTTOM OF PIPE.

NO.	CHASEWAY SCHEDULE		
A	4" PVC PIPE	ROLLER UP	PNEUMATIC
B	4" PVC PIPE	FLOOR SWITCH	ELECTRIC
C	4" PVC PIPE	FLOOR APPLICATOR	CHEMICAL DISTRIBUTION
D	4" PVC PIPE	UNDER CARRIAGE	WATER
E	4" PVC PIPE	SPARE	
F	4" PVC PIPE	SPARE	
G	4" PVC PIPE	TSA	CHEMICAL
H	4" PVC PIPE	CONVEYOR	HYDRAULIC
I	4" PVC PIPE	CONVEYOR	HYDRAULIC
J	2" PVC PIPE	ANTI COLLISION BOX	ELECTRIC



NOT FOR CONSTRUCTION UNTIL APPROVED BELOW.

APPROVED BY: \_\_\_\_\_ DATE: \_\_\_\_\_

**DISCLAIMER**  
ALTHOUGH BUILDING CODES HAVE BEEN CONSIDERED IN DEVELOPING THIS DRAWING, VERIFICATION OF SITE SPECIFIC CONDITIONS AND COMPLIANCE WITH FEDERAL, STATE AND LOCAL BUILDING CODES IS THE EXCLUSIVE RESPONSIBILITY OF THE CUSTOMER AND/OR ARCHITECT AND ENGINEER. THESE DRAWINGS REFLECT REQUIREMENTS FOR SONNY'S FURNISHED EQUIPMENT ONLY UNLESS OTHERWISE NOTED. PLEASE REFER TO OTHER MANUFACTURERS, IF ANY, FOR THEIR EQUIPMENT REQUIREMENTS.

**CONFIDENTIAL WARNING:**  
THIS SHEET CONTAINS AND CONSTITUTES CONFIDENTIAL INFORMATION, IMAGES AND TRADE SECRETS OF SONNY'S ENTERPRISES INC. ANY UNAUTHORIZED USE OR DISCLOSURE OF ANY OR PORTION THEREOF, IS STRICTLY PROHIBITED. THIS WORK IS THE EXCLUSIVE PROPERTY OF SONNY'S ENTERPRISES INC. ALL RIGHTS RESERVED.

CWP-125\_FT-Generic

SCALE: 3/32"=1'      LOCATION: FL

Sheet	Rev.
04	- + -

DATE: 11.06.17

REVISION DATE: 04.18.18

CREATED BY: LV

REVISED BY: FAO

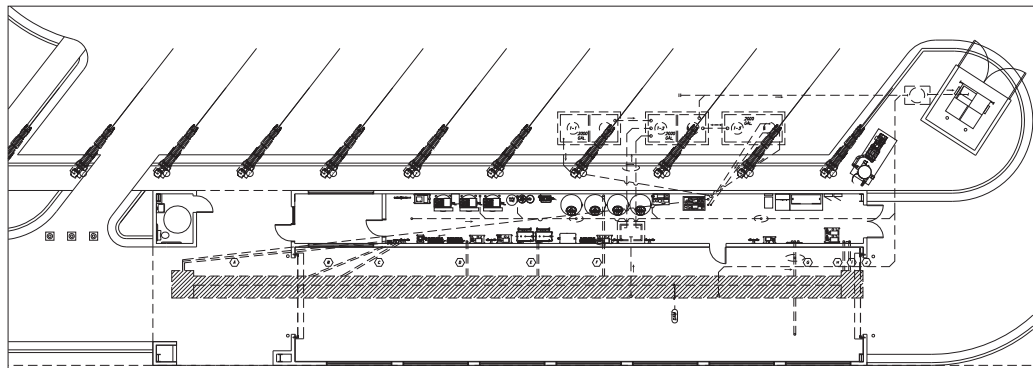
CHECKED BY: Luis V.

© 2018 SONNY'S ENTERPRISES, INC.

5605 Hiatus Road, Tamarac, FL 33321 USA. TEL. 800-327-8723

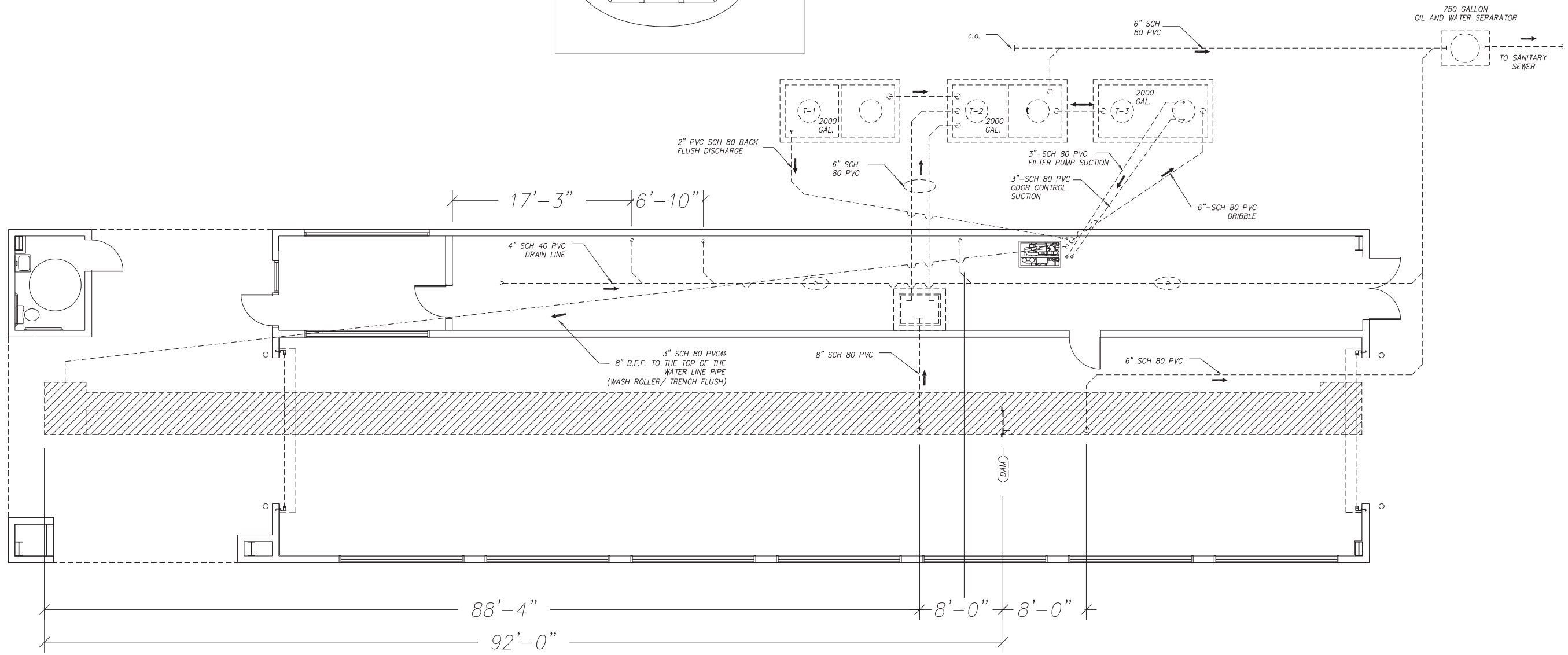
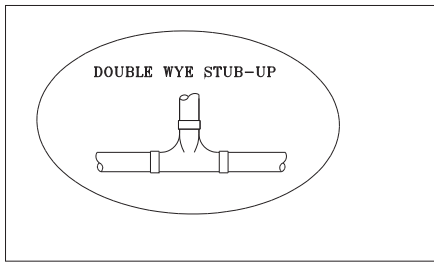
http://www.SonnysDirect.com

CHASE WAY; GC



NOT FOR CONSTRUCTION UNTIL APPROVED BELOW.

APPROVED BY: \_\_\_\_\_ DATE: \_\_\_\_\_



**DISCLAIMER**  
 ALTHOUGH BUILDING CODES HAVE BEEN CONSIDERED IN DEVELOPING THIS DRAWING, VERIFICATION OF SITE SPECIFIC CONDITIONS AND COMPLIANCE WITH FEDERAL, STATE AND LOCAL BUILDING CODES IS THE EXCLUSIVE RESPONSIBILITY OF THE CUSTOMER AND/OR ARCHITECT AND ENGINEER. THESE DRAWINGS REFLECT REQUIREMENTS FOR SONNY'S FURNISHED EQUIPMENT ONLY UNLESS OTHERWISE NOTED. PLEASE REFER TO OTHER MANUFACTURERS, IF ANY, FOR THEIR EQUIPMENT REQUIREMENTS.

**CONFIDENTIAL WARNING:**  
 THIS SHEET CONTAINS AND CONSTITUTES CONFIDENTIAL INFORMATION, IMAGES AND TRADE SECRETS OF SONNY'S ENTERPRISES INC. ANY UNAUTHORIZED USE OR DISCLOSURE OF ANY OR PORTION THEREOF, IS STRICTLY PROHIBITED. THIS WORK IS THE EXCLUSIVE PROPERTY OF SONNY'S ENTERPRISES INC. ALL RIGHTS RESERVED.

**CWP-125\_FT-Generic**  
 SCALE: 3/32"=1' LOCATION: FL

Sheet	Rev.
05	+-

DATE:	11.06.17
REVISION DATE:	04.18.18
CREATED BY:	LV
REVISED BY:	FAO
CHECKED BY:	Luis V.

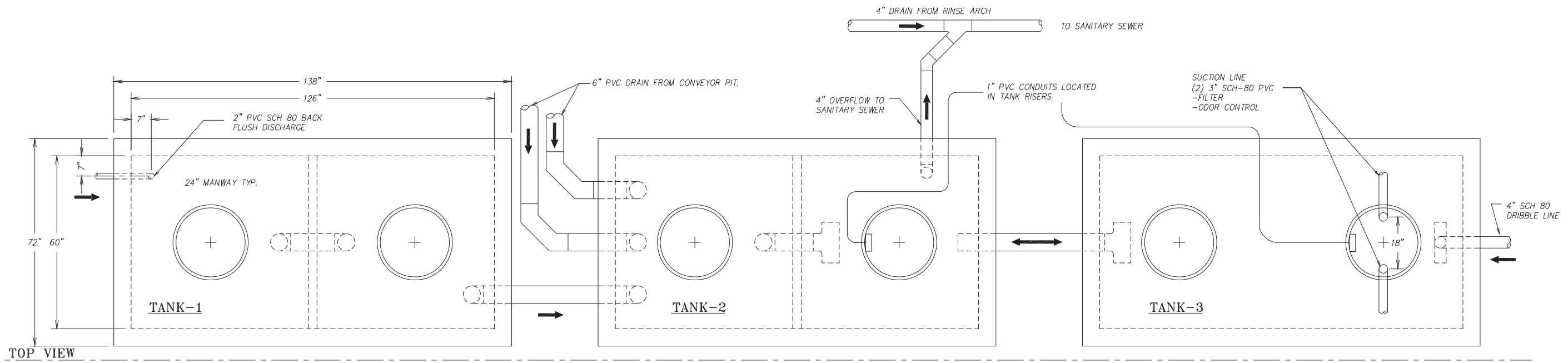
**SONNY'S**  
 The CarWash Factory

http://www.SonnysDirect.com

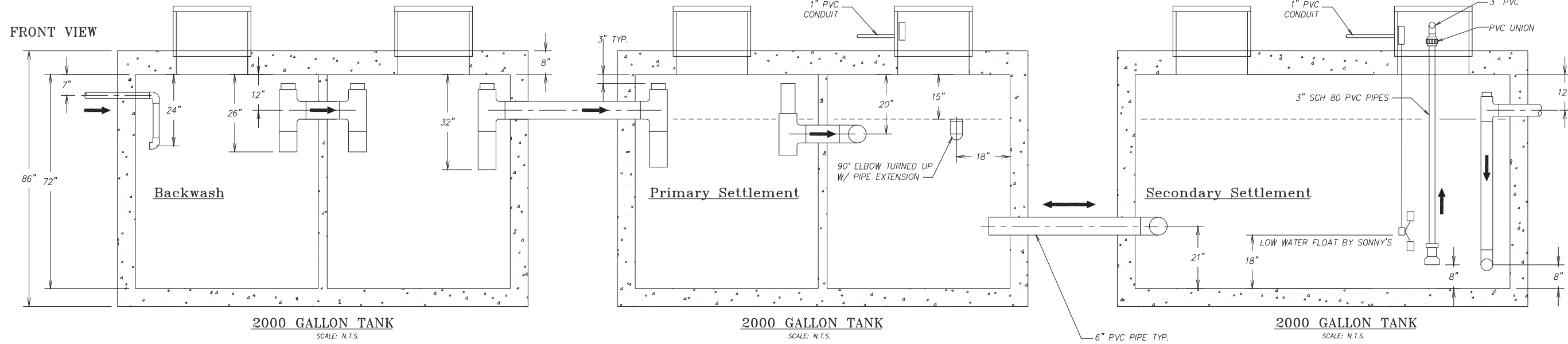
RECLAIM/SEWER; G.C.

© 2018 SONNY'S ENTERPRISES, INC. 5605 Hiatus Road, Tamarac, FL. 33321 USA. TEL.800-327-8723





TOP VIEW



FRONT VIEW

2000 GALLON TANK  
SCALE: N.T.S.

2000 GALLON TANK  
SCALE: N.T.S.

2000 GALLON TANK  
SCALE: N.T.S.

**NOTE:**

1. Pressure Test All Suction Lines Upon Installation @ 10-15 PSI max.
2. Keep pressure on Suction Lines for the entire DURATION of construction.
3. Pressure should NOT drop more than 2 PSI.
4. Watch for problems when excavating driveways.
5. If reclaim tanks are located more than 60 feet away from reclaim unit, then increase suction line to 3" sch 80 PVC.
6. Placement of suction lines is critical
7. Do NOT put screens on the suction lines
8. ANY QUESTIONS CONTACT SONNY'S.

**CAR WASH RECLAIM SYSTEM  
STANDARD RECLAIM 3 TANK**

(SEE RECLAIM SHEET FOR DETAIL)

NOT FOR CONSTRUCTION UNTIL APPROVED BELOW.

APPROVED BY: \_\_\_\_\_ DATE \_\_\_\_\_

**NOTE:**

1. ALL UNDERGROUND TANKS AND PIPING BY CONTRACTOR
2. PIPE LOCATIONS SHOULD BE USED FOR ANY TANK
3. ALL INTERNAL TANK PLUMBING TO BE 6" sch 40 PVC UNLESS NOTED OTHERWISE
4. ALL TANK BOTTOMS SHOULD BE LEVEL
5. THIS DRAWING IS TO SHOW TANK HOLDING CAPACITY AND PIPING RELATIONSHIPS ONLY. THEY ARE NOT INTENDED TO ADDRESS TANK STRUCTURE ENGINEERING.

**DISCLAIMER**  
ALTHOUGH BUILDING CODES HAVE BEEN CONSIDERED IN DEVELOPING THIS DRAWING, VERIFICATION OF SITE SPECIFIC CONDITIONS AND COMPLIANCE WITH FEDERAL, STATE AND LOCAL BUILDING CODES IS THE EXCLUSIVE RESPONSIBILITY OF THE CUSTOMER AND/OR ARCHITECT AND ENGINEER. THESE DRAWINGS REFLECT REQUIREMENTS FOR SONNY'S FURNISHED EQUIPMENT ONLY UNLESS OTHERWISE NOTED. PLEASE REFER TO OTHER MANUFACTURERS, IF ANY, FOR THEIR EQUIPMENT REQUIREMENTS.

**CONFIDENTIAL WARNING:**  
THIS SHEET CONTAINS AND CONSTITUTES CONFIDENTIAL INFORMATION, IMAGES AND TRADE SECRETS OF SONNY'S ENTERPRISES INC. ANY UNAUTHORIZED USE OR DISCLOSURE OF ANY OR PORTION THEREOF, IS STRICTLY PROHIBITED. THIS WORK IS THE EXCLUSIVE PROPERTY OF SONNY'S ENTERPRISES INC. ALL RIGHTS RESERVED.

**CWP-125\_FT-Generic**

SCALE: N.T.S. LOCATION: FL

Sheet 06 Rev. +-+

RECLAIM TANK SYSTEM; GC

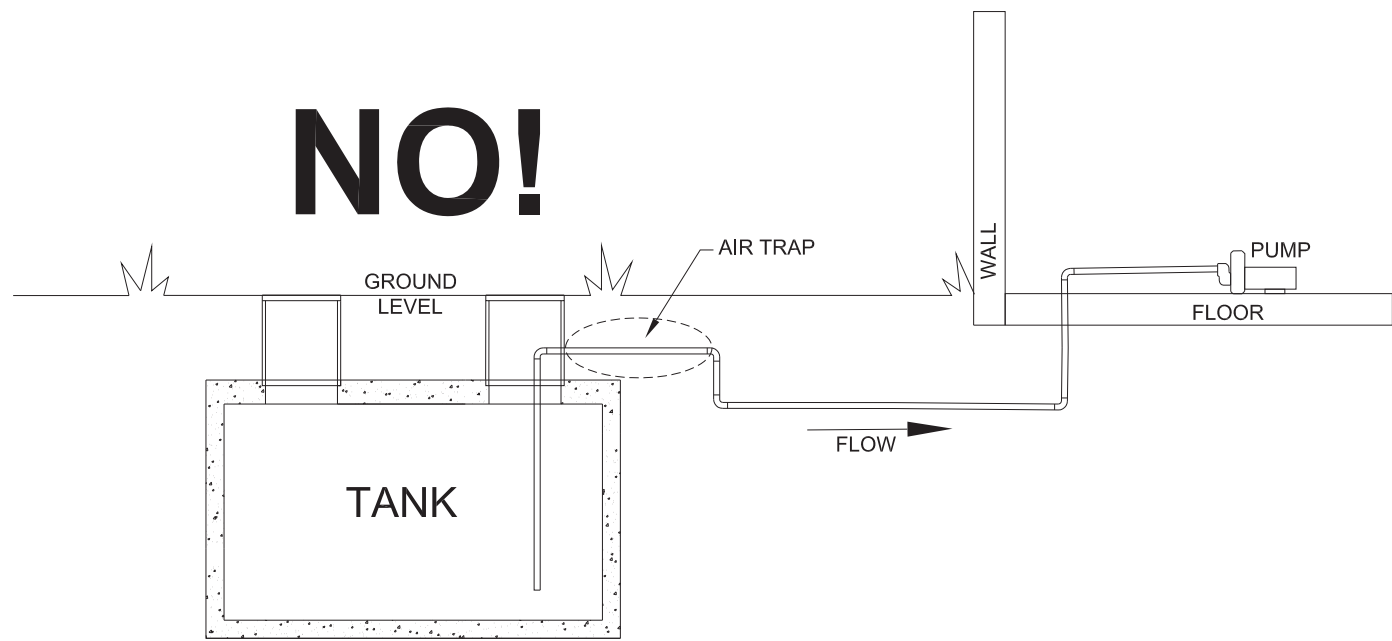


http://www.SonnysDirect.com

© 2018 SONNY'S ENTERPRISES, INC. 5605 Hiatus Road, Tamarac, FL 33321 USA. TEL. 800-327-8723

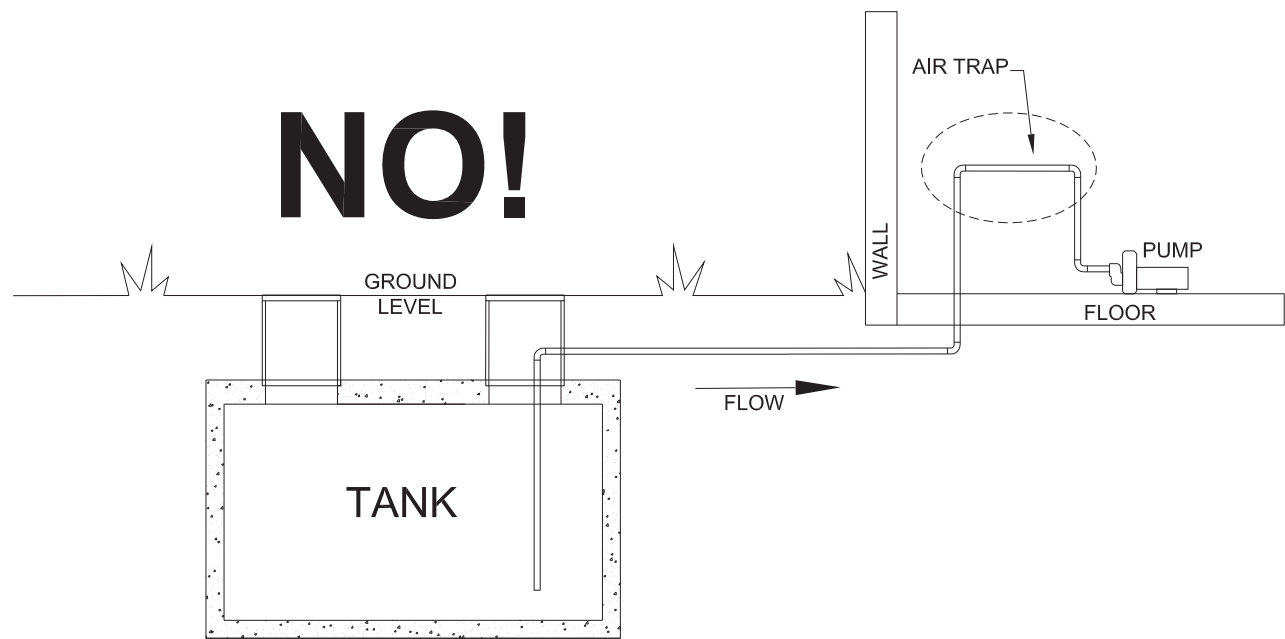
DATE: 11.06.17  
REVISION DATE: 04.18.18  
CREATED BY: LV  
REVISED BY: FAO  
CHECKED BY: Luis V.

# NO!



**BELOW GROUND TANKS**  
 ALL suction lines must NEVER slope down and then back up again (Air Trap).

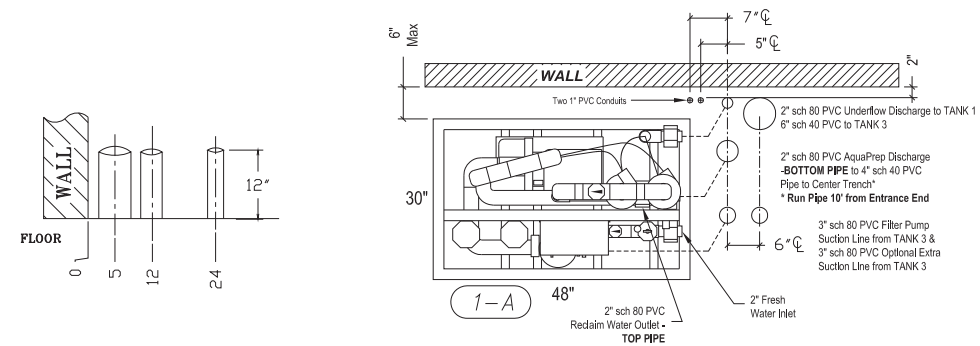
# NO!



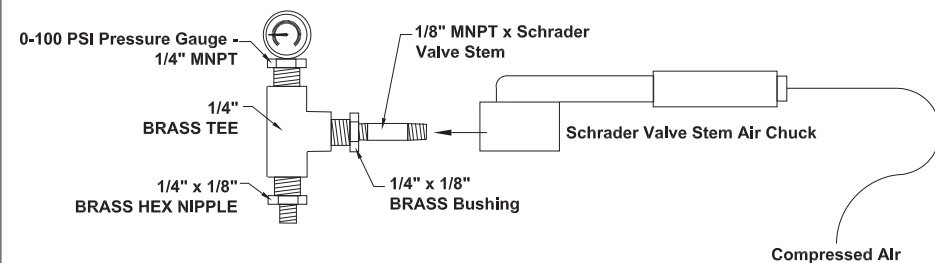
**BELOW GROUND TANKS**  
 ALL suction lines must NEVER slope up and then back down again (Air Trap).  
 ANY QUESTIONS CONTACT SONNY'S

NOT FOR CONSTRUCTION UNTIL APPROVED BELOW.  
 \_\_\_\_\_  
 APPROVED BY. DATE

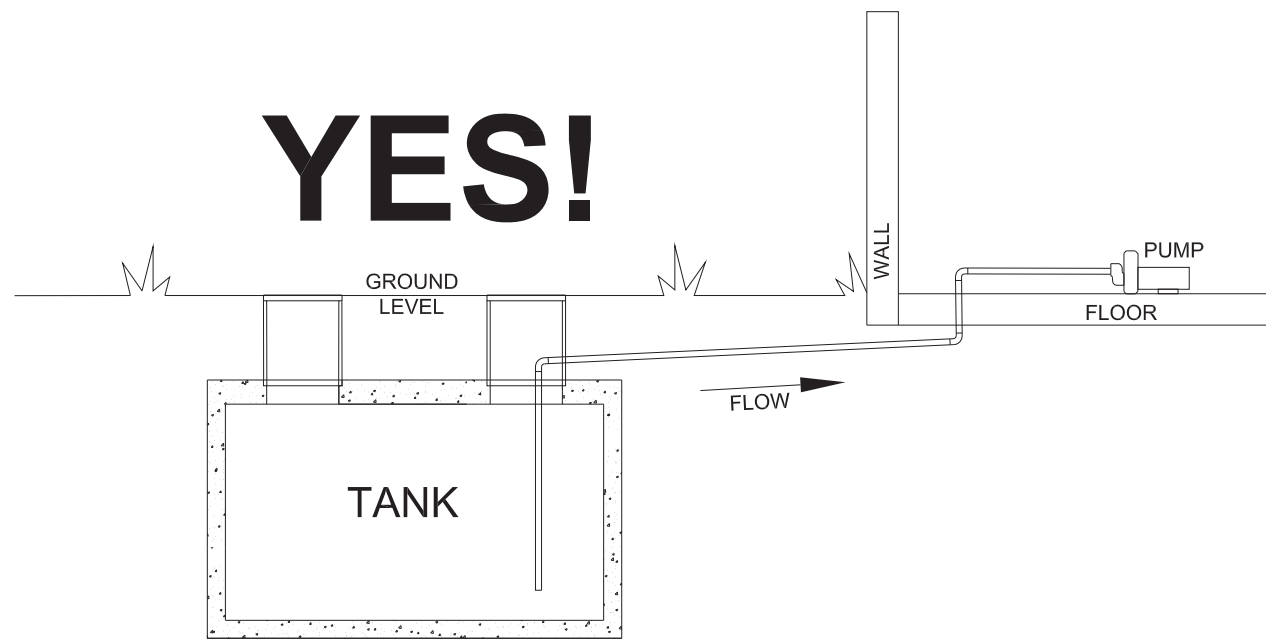
## ERS-100 Underground Stub-Ups & Pipe Connections in Equipment Room -by G.C.



## PRESSURE TESTING PUMP SUCTION LINES



# YES!



**BELOW GROUND TANKS**  
 ALL suction lines require a continuous upward slope to the Equipment Room.

DATE:	11.06.17
REVISION DATE:	04.18.18
CREATED BY:	LV
REVISED BY:	FAO
CHECKED BY:	Luis V.

**SONNY'S**  
 The CarWash Factory  
<http://www.SonnysDirect.com>

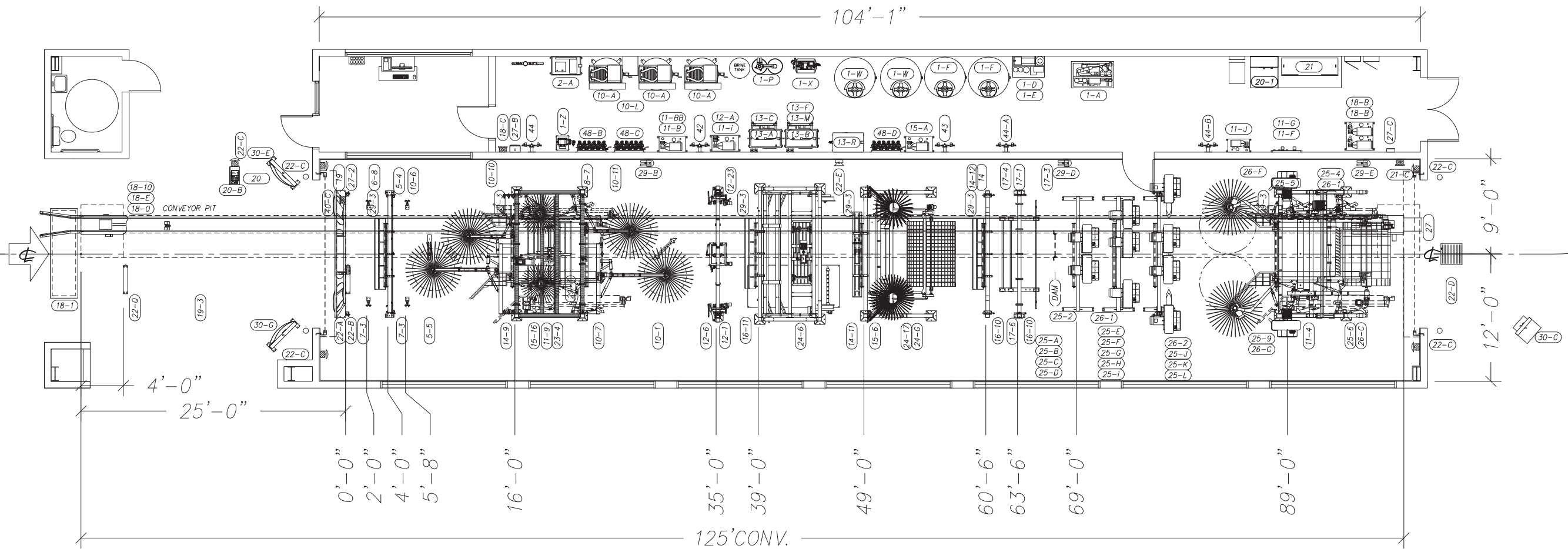
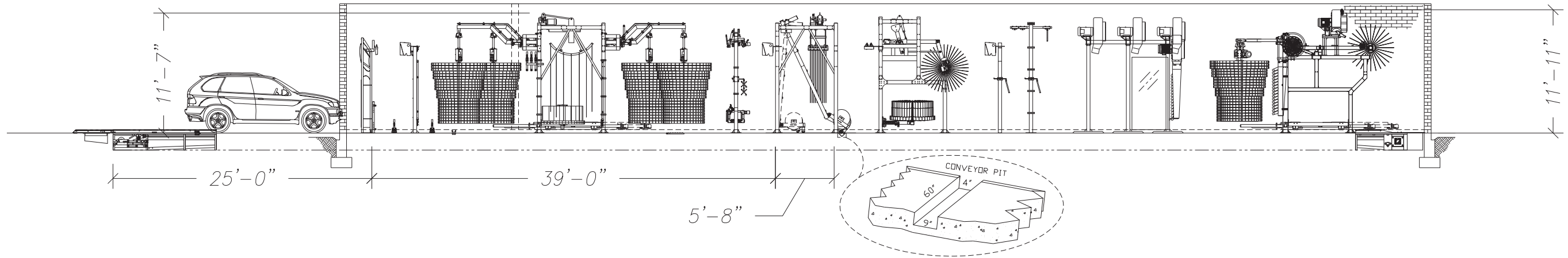
RECLAIM SYSTEM; GC  
 © 2018 SONNY'S ENTERPRISES, INC. 5605 Hiatus Road, Tamarac, FL. 33321 USA. TEL. 800-327-8723

**DISCLAIMER**  
 ALTHOUGH BUILDING CODES HAVE BEEN CONSIDERED IN DEVELOPING THIS DRAWING, VERIFICATION OF SITE SPECIFIC CONDITIONS AND COMPLIANCE WITH FEDERAL, STATE AND LOCAL BUILDING CODES IS THE EXCLUSIVE RESPONSIBILITY OF THE CUSTOMER AND/OR ARCHITECT AND ENGINEER. THESE DRAWINGS REFLECT REQUIREMENTS FOR SONNY'S FURNISHED EQUIPMENT ONLY UNLESS OTHERWISE NOTED. PLEASE REFER TO OTHER MANUFACTURERS, IF ANY, FOR THEIR EQUIPMENT REQUIREMENTS.

**CONFIDENTIAL WARNING:**  
 THIS SHEET CONTAINS AND CONSTITUTES CONFIDENTIAL INFORMATION, IMAGES AND TRADE SECRETS OF SONNY'S ENTERPRISES INC. ANY UNAUTHORIZED USE OR DISCLOSURE OF ANY OR PORTION THEREOF, IS STRICTLY PROHIBITED. THIS WORK IS THE EXCLUSIVE PROPERTY OF SONNY'S ENTERPRISES INC. ALL RIGHTS RESERVED.

CWP-125\_FT-Generic  
 SCALE: N.T.S. LOCATION: FL

Sheet	Rev.
07	- + -



**DISCLAIMER**  
 ALTHOUGH BUILDING CODES HAVE BEEN CONSIDERED IN DEVELOPING THIS DRAWING, VERIFICATION OF SITE SPECIFIC CONDITIONS AND COMPLIANCE WITH FEDERAL, STATE AND LOCAL BUILDING CODES IS THE EXCLUSIVE RESPONSIBILITY OF THE CUSTOMER AND/OR ARCHITECT AND ENGINEER. THESE DRAWINGS REFLECT REQUIREMENTS FOR SONNY'S FURNISHED EQUIPMENT ONLY UNLESS OTHERWISE NOTED. PLEASE REFER TO OTHER MANUFACTURERS, IF ANY, FOR THEIR EQUIPMENT REQUIREMENTS.

**CONFIDENTIAL WARNING:**  
 THIS SHEET CONTAINS AND CONSTITUTES CONFIDENTIAL INFORMATION, IMAGES AND TRADE SECRETS OF SONNY'S ENTERPRISES INC. ANY UNAUTHORIZED USE OR DISCLOSURE OF ANY OR PORTION THEREOF, IS STRICTLY PROHIBITED. THIS WORK IS THE EXCLUSIVE PROPERTY OF SONNY'S ENTERPRISES INC. ALL RIGHTS RESERVED.

**CWP-125\_FT-Generic**

SCALE: 3/32"=1'

LOCATION: FL

Sheet	Rev.
L.1	+-

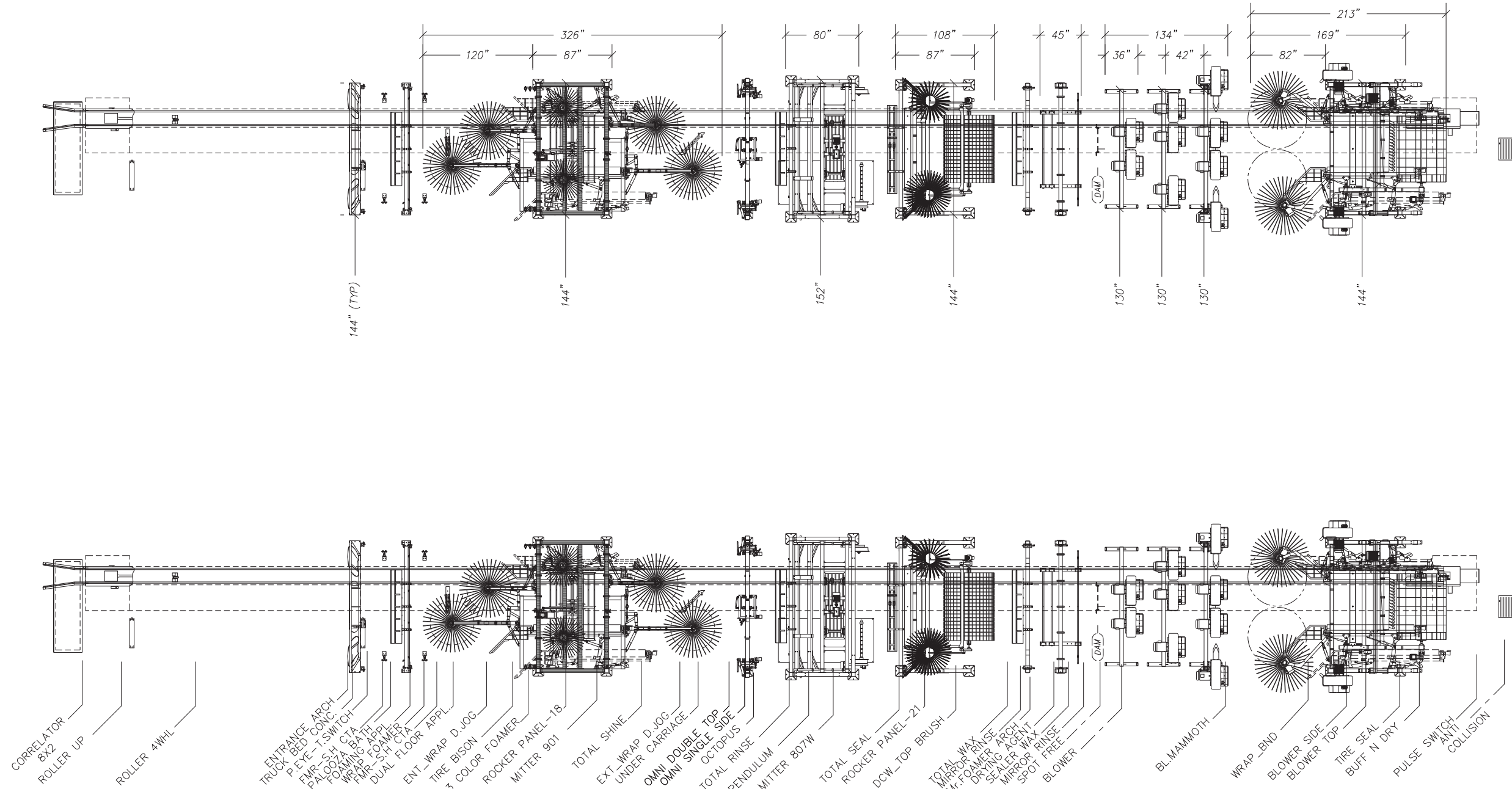
EQUIPMENT LAYOUT



http://www.SonnysDirect.com

DATE:	11.06.17
REVISION DATE:	04.18.18
CREATED BY:	LV
REVISED BY:	FAO
CHECKED BY:	Luis V.





**DISCLAIMER**  
 ALTHOUGH BUILDING CODES HAVE BEEN CONSIDERED IN DEVELOPING THIS DRAWING, VERIFICATION OF SITE SPECIFIC CONDITIONS AND COMPLIANCE WITH FEDERAL, STATE AND LOCAL BUILDING CODES IS THE EXCLUSIVE RESPONSIBILITY OF THE CUSTOMER AND/OR ARCHITECT AND ENGINEER. THESE DRAWINGS REFLECT REQUIREMENTS FOR SONNYS'S FURNISHED EQUIPMENT ONLY UNLESS OTHERWISE NOTED. PLEASE REFER TO OTHER MANUFACTURERS, IF ANY, FOR THEIR EQUIPMENT REQUIREMENTS.

**CONFIDENTIAL WARNING:**  
 THIS SHEET CONTAINS AND CONSTITUTES CONFIDENTIAL INFORMATION, IMAGES AND TRADE SECRETS OF SONNYS'S ENTERPRISES INC. ANY UNAUTHORIZED USE OR DISCLOSURE OF ANY OR PORTION THEREOF, IS STRICTLY PROHIBITED. THIS WORK IS THE EXCLUSIVE PROPERTY OF SONNYS'S ENTERPRISES INC. ALL RIGHTS RESERVED.

# CWP-125\_FT-Generic

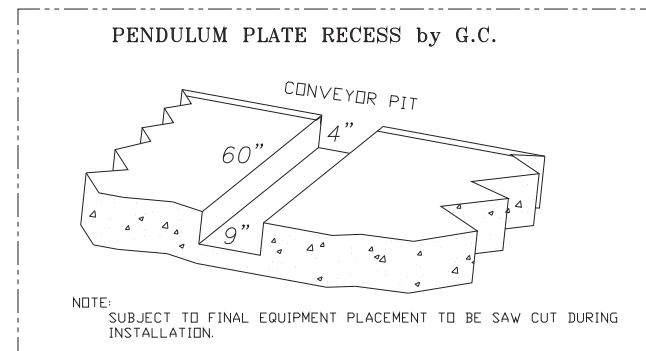
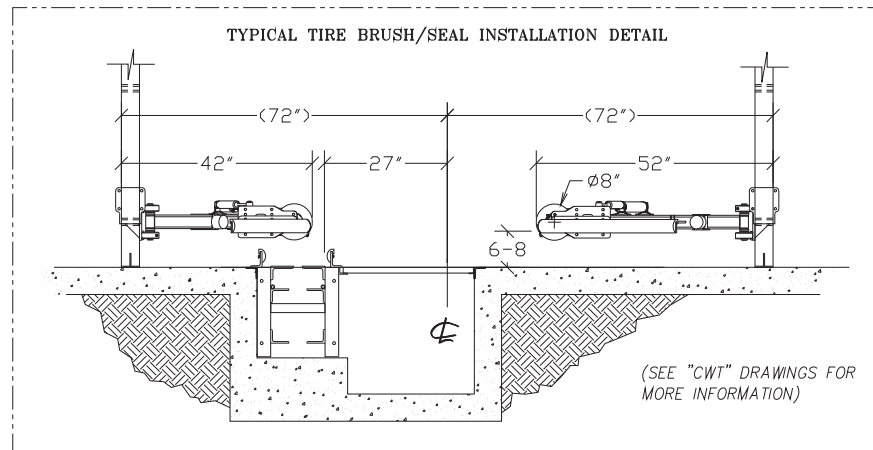
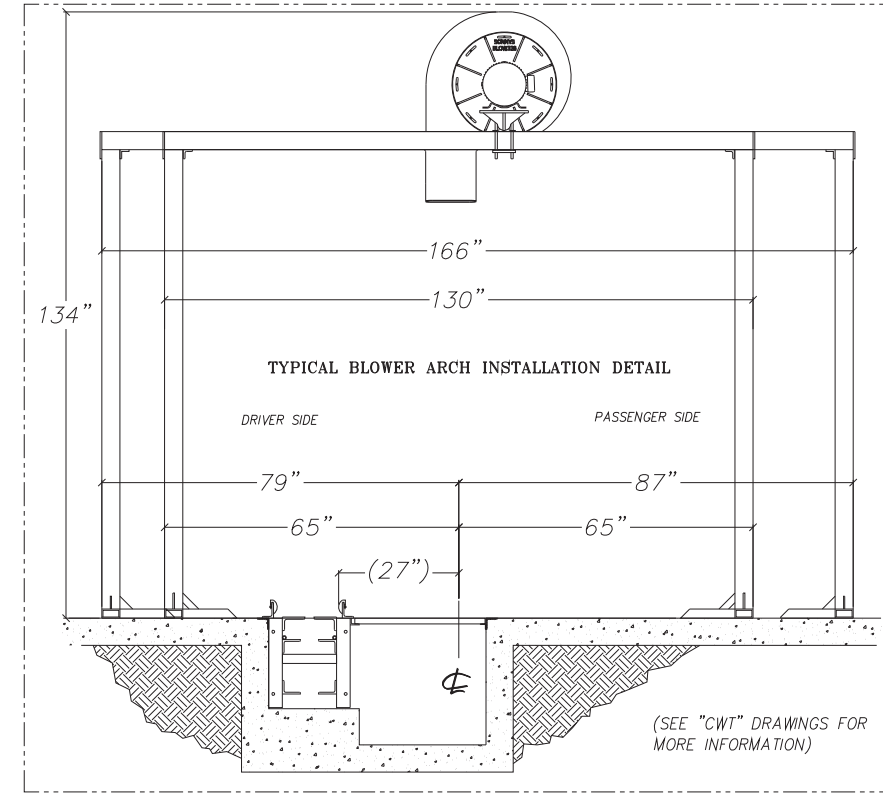
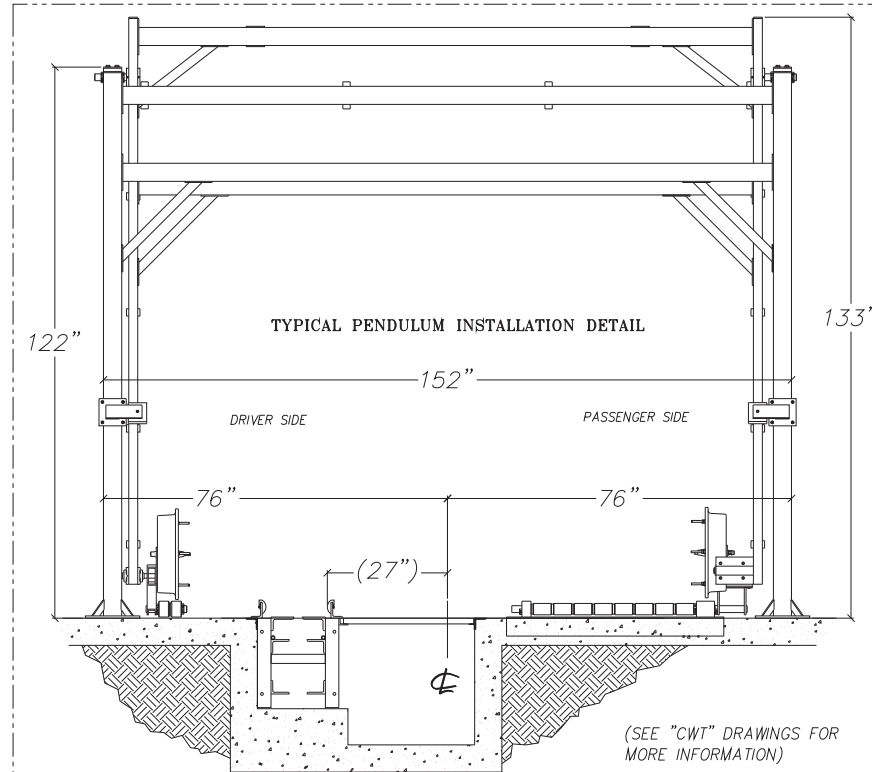
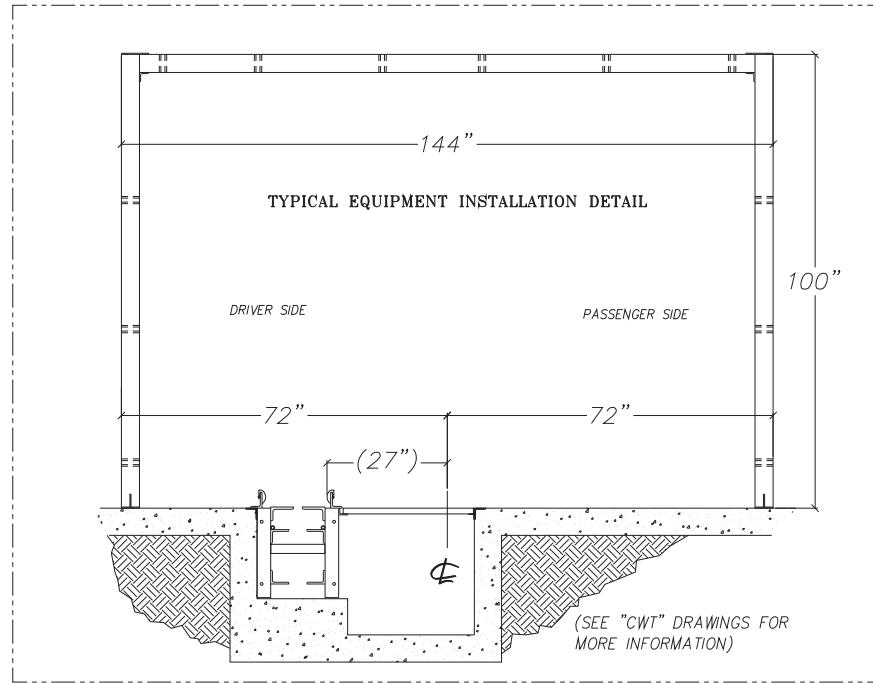
SCALE: 3/32"=1' LOCATION: FL

Sheet	Rev.
L.2	- + -

EQ. DESCRIPTION  
 TUNNEL LAYOUT



DATE:	11.06.17
REVISION DATE:	04.18.18
CREATED BY:	LV
REVISED BY:	FAO
CHECKED BY:	Luis V.



NOT FOR CONSTRUCTION UNTIL APPROVED BELOW.

APPROVED BY. \_\_\_\_\_ DATE \_\_\_\_\_

**DISCLAIMER**  
ALTHOUGH BUILDING CODES HAVE BEEN CONSIDERED IN DEVELOPING THIS DRAWING, VERIFICATION OF SITE SPECIFIC CONDITIONS AND COMPLIANCE WITH FEDERAL, STATE AND LOCAL BUILDING CODES IS THE EXCLUSIVE RESPONSIBILITY OF THE CUSTOMER AND/OR ARCHITECT AND ENGINEER. THESE DRAWINGS REFLECT REQUIREMENTS FOR SONNY'S FURNISHED EQUIPMENT ONLY UNLESS OTHERWISE NOTED. PLEASE REFER TO OTHER MANUFACTURERS, IF ANY, FOR THEIR EQUIPMENT REQUIREMENTS.

**CONFIDENTIAL WARNING:**  
THIS SHEET CONTAINS AND CONSTITUTES CONFIDENTIAL INFORMATION, IMAGES AND TRADE SECRETS OF SONNY'S ENTERPRISES INC. ANY UNAUTHORIZED USE OR DISCLOSURE OF ANY OR PORTION THEREOF, IS STRICTLY PROHIBITED. THIS WORK IS THE EXCLUSIVE PROPERTY OF SONNY'S ENTERPRISES INC. ALL RIGHTS RESERVED.

CWP-125\_FT-Generic

SCALE: N.T.S.

LOCATION: FL

Sheet Rev.

L.3 - + -

TUNNEL INSTALLATION

**SONNY'S**  
The CarWash Factory

http://www.SonnysDirect.com

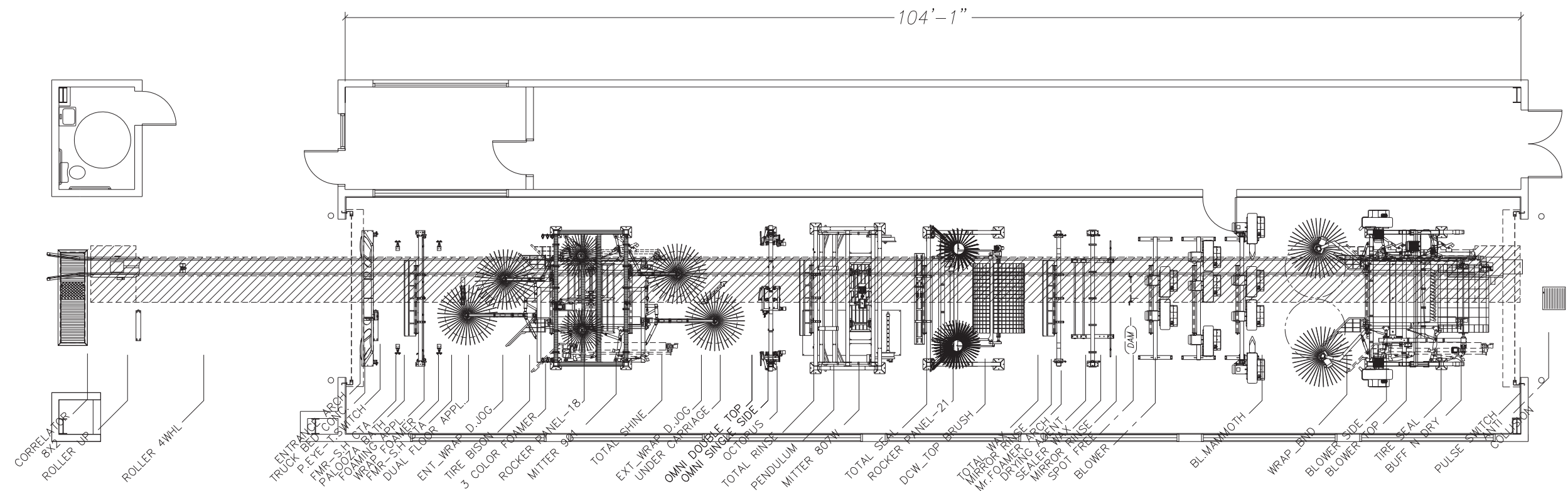
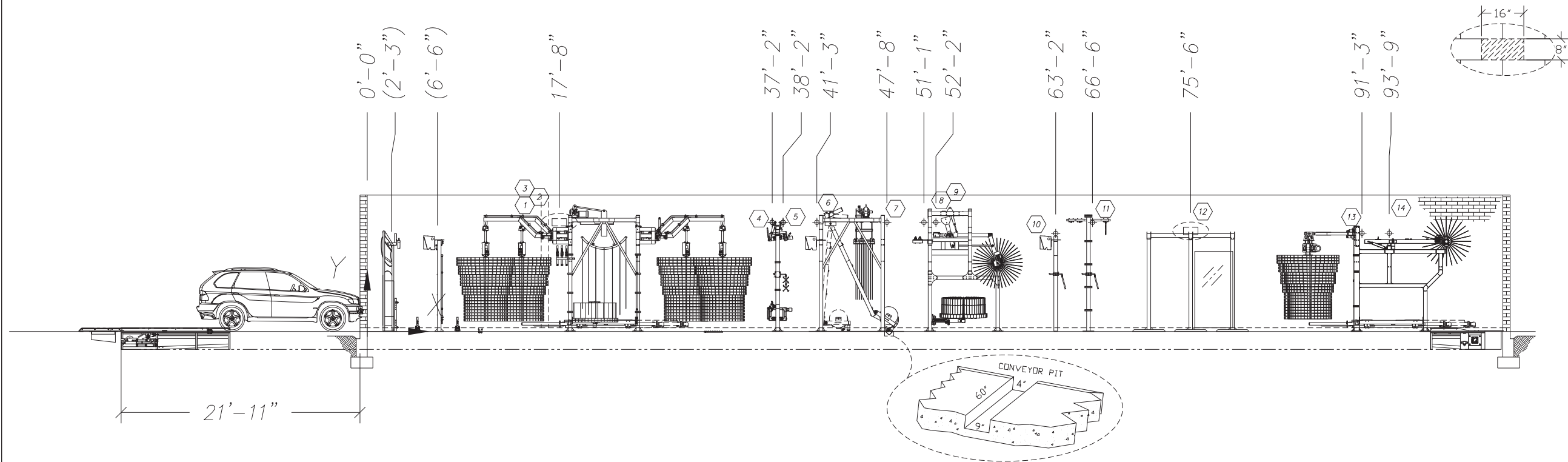
© 2018 SONNY'S ENTERPRISES, INC. 5605 Hiatus Road, Tamarac, FL 33321 USA. TEL: 800-327-8723

DATE: 11.06.17  
REVISION DATE: 04.18.18  
CREATED BY: LV  
REVISED BY: FAO  
CHECKED BY: Luis V.

# ELEVATION

Ø 4-1/2" OPENING IN WALL  
Ø 4" PVC PIPE & FINISH CAULKING BY GC.

REF.	COORD. C-LINE	Y
	Equipments	
1	ENTRANCE ARCH	120"
2	APPLICATOR ARCH	120"
3	MITTER SFM901	120"
4	OMNI ARCH	120"
5	OMNI ARCH	120"
6	PENDULUM/SFM807	120"
7	PENDULUM/SFM807	120"
8	DCW TOP BRUSH	120"
9	DCW TOP BRUSH	120"
10	Mr. FOAMER ARCH	108"
11	RAINMA ARCH 10'	120"
12	BLOWER ARCH/S	108"
13	BUFF n DRY	108"
14	BUFF n DRY	108"



## NOTES:

PRELIMINARY LAYOUT. FINAL LAYOUT SUBJECT TO FINAL EQUIPMENT LIST APPROVAL. DO NOT CORE UNTIL APPROVED BY INSTALLER.

NOT FOR CONSTRUCTION UNTIL APPROVED BELOW.

APPROVED BY: \_\_\_\_\_ DATE: \_\_\_\_\_

**DISCLAIMER**  
ALTHOUGH BUILDING CODES HAVE BEEN CONSIDERED IN DEVELOPING THIS DRAWING, VERIFICATION OF SITE SPECIFIC CONDITIONS AND COMPLIANCE WITH FEDERAL, STATE AND LOCAL BUILDING CODES IS THE EXCLUSIVE RESPONSIBILITY OF THE CUSTOMER AND/OR ARCHITECT AND ENGINEER. THESE DRAWINGS REFLECT REQUIREMENTS FOR SONNY'S FURNISHED EQUIPMENT ONLY UNLESS OTHERWISE NOTED. PLEASE REFER TO OTHER MANUFACTURERS, IF ANY, FOR THEIR EQUIPMENT REQUIREMENTS.

**CONFIDENTIAL WARNING:**  
THIS SHEET CONTAINS AND CONSTITUTES CONFIDENTIAL INFORMATION, IMAGES AND TRADE SECRETS OF SONNY'S ENTERPRISES INC. ANY UNAUTHORIZED USE OR DISCLOSURE OF ANY OR PORTION THEREOF, IS STRICTLY PROHIBITED. THIS WORK IS THE EXCLUSIVE PROPERTY OF SONNY'S ENTERPRISES INC. ALL RIGHTS RESERVED.

### CWP-125\_FT-Generic

SCALE: 3/32"=1'

LOCATION: FL

Sheet	Rev.
L.4	- + -

CORED HOLES PLAN; GC

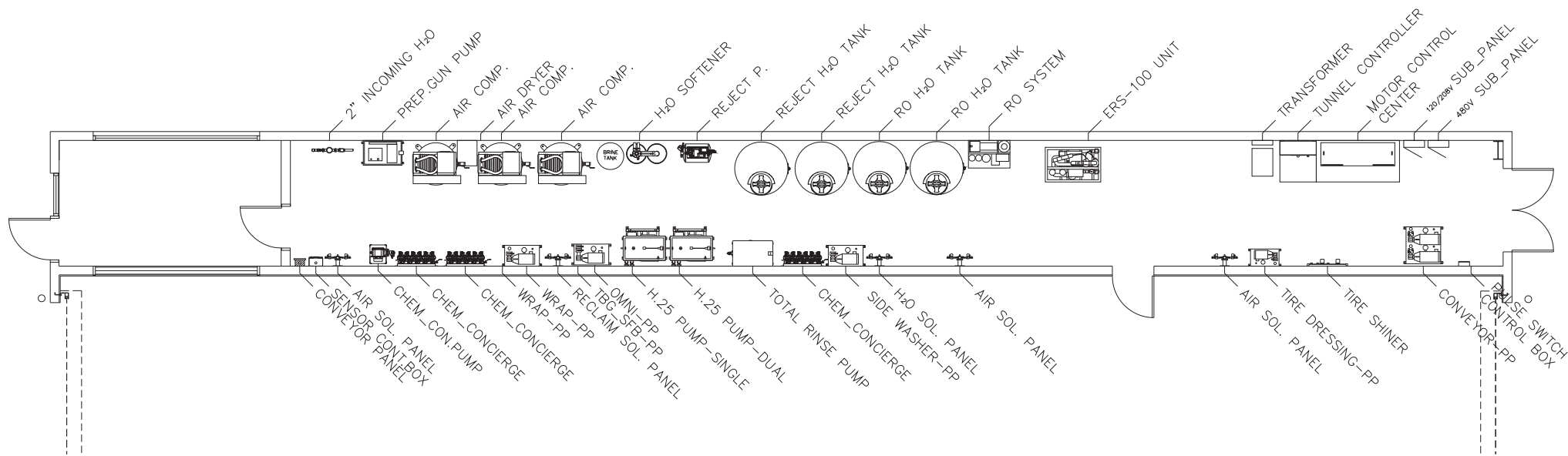
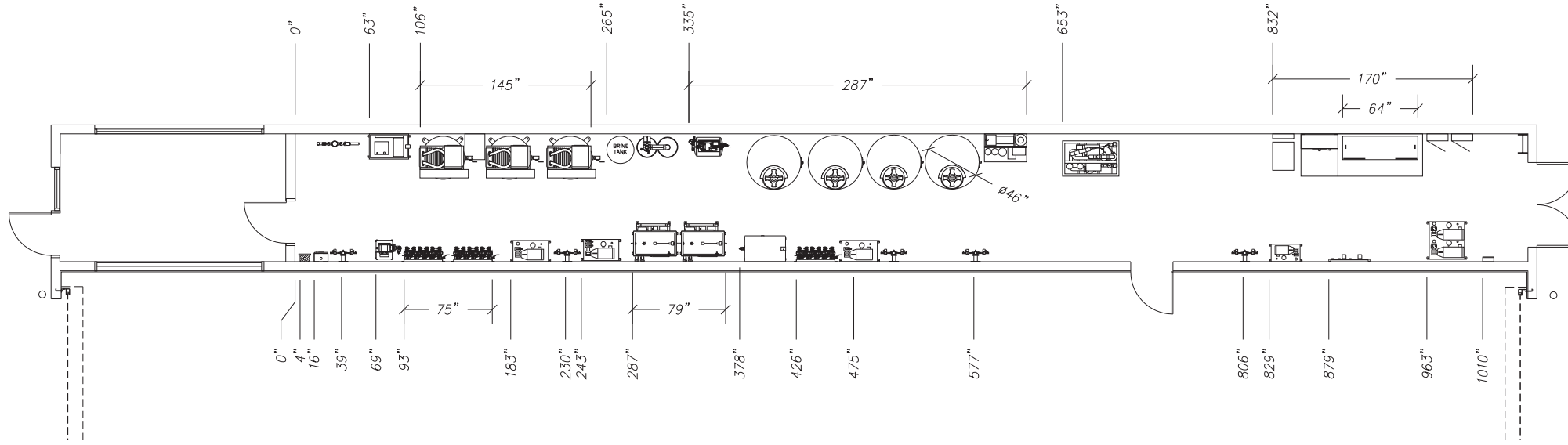


http://www.SonnysDirect.com

© 2018 SONNY'S ENTERPRISES, INC. 5605 Hiatus Road, Tamarac, FL. 33321 USA. TEL.800-327-8723

DATE:	11.06.17
REVISION DATE:	04.18.18
CREATED BY:	LV
REVISED BY:	FAO
CHECKED BY:	Luis V.





**DISCLAIMER**  
 ALTHOUGH BUILDING CODES HAVE BEEN CONSIDERED IN DEVELOPING THIS DRAWING, VERIFICATION OF SITE SPECIFIC CONDITIONS AND COMPLIANCE WITH FEDERAL, STATE AND LOCAL BUILDING CODES IS THE EXCLUSIVE RESPONSIBILITY OF THE CUSTOMER AND/OR ARCHITECT AND ENGINEER. THESE DRAWINGS REFLECT REQUIREMENTS FOR SONNYS'S FURNISHED EQUIPMENT ONLY UNLESS OTHERWISE NOTED. PLEASE REFER TO OTHER MANUFACTURERS, IF ANY, FOR THEIR EQUIPMENT REQUIREMENTS.

**CONFIDENTIAL WARNING:**  
 THIS SHEET CONTAINS AND CONSTITUTES CONFIDENTIAL INFORMATION, IMAGES AND TRADE SECRETS OF SONNYS'S ENTERPRISES INC. ANY UNAUTHORIZED USE OR DISCLOSURE OF ANY OR PORTION THEREOF, IS STRICTLY PROHIBITED. THIS WORK IS THE EXCLUSIVE PROPERTY OF SONNYS'S ENTERPRISES INC. ALL RIGHTS RESERVED.

**CWP-125\_FT-Generic**  
 SCALE: 3/32"=1' LOCATION: FL

Sheet	Rev.
B.1	- + -

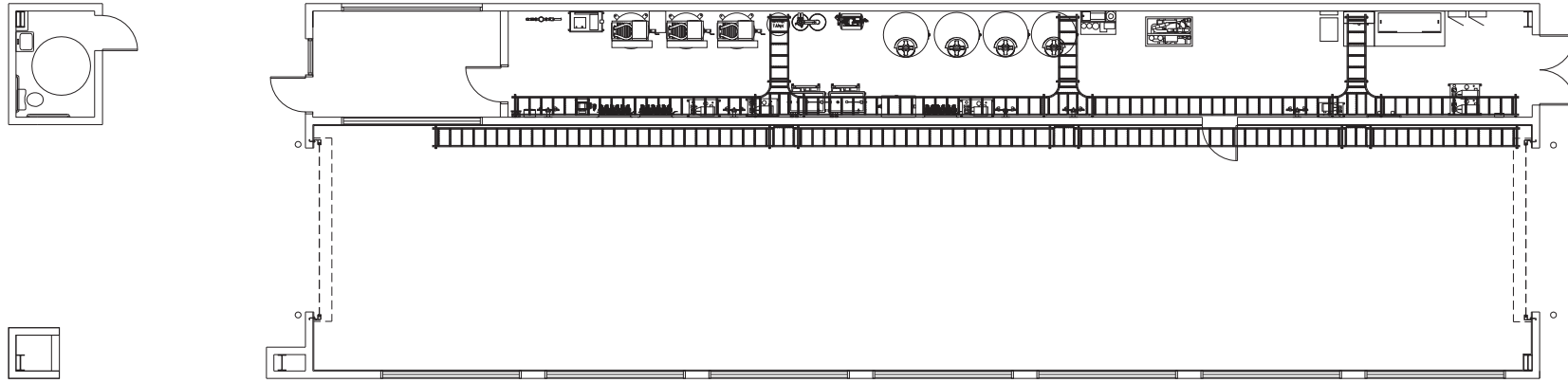
**EQ. DESCRIPTION**  
**EQUIPMENT SUPPORT**



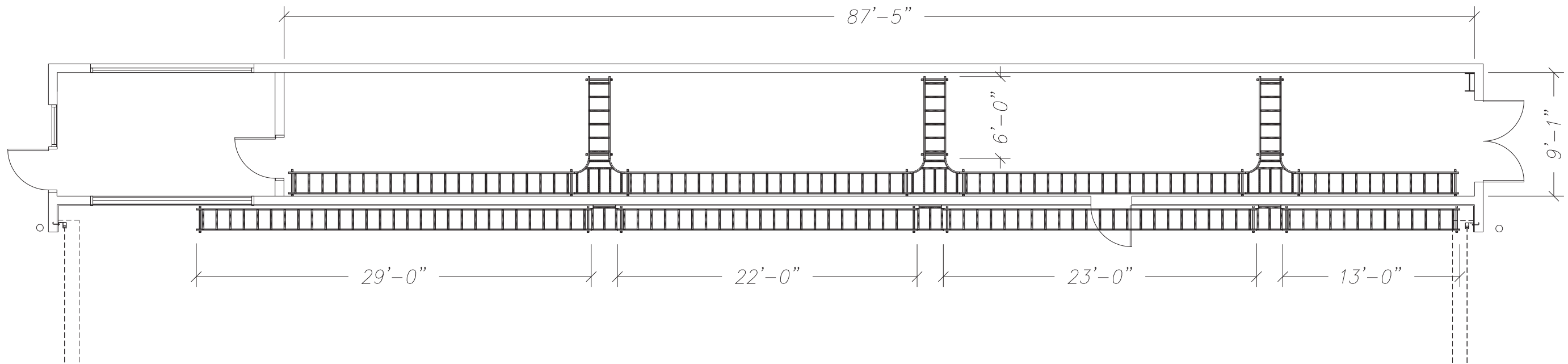
http://www.SonnysDirect.com

© 2018 SONNYS'S ENTERPRISES, INC. 5605 Hiatus Road, Tamarac, FL. 33321 USA. TEL.800-327-8723

DATE:	11.06.17
REVISION DATE:	04.18.18
CREATED BY:	LV
REVISED BY:	FAO
CHECKED BY:	Luis V.



DESCRIPTION	Qty
Tray, 4 X 18 X 120, 12" Spacing	93
Tray, Mini Horizontal Tee, no radius	3
Tray, Horizontal Tee Fitting, 18" wide, 12" radius	3



**DISCLAIMER**  
 ALTHOUGH BUILDING CODES HAVE BEEN CONSIDERED IN DEVELOPING THIS DRAWING, VERIFICATION OF SITE SPECIFIC CONDITIONS AND COMPLIANCE WITH FEDERAL, STATE AND LOCAL BUILDING CODES IS THE EXCLUSIVE RESPONSIBILITY OF THE CUSTOMER AND/OR ARCHITECT AND ENGINEER. THESE DRAWINGS REFLECT REQUIREMENTS FOR SONNYS'S FURNISHED EQUIPMENT ONLY UNLESS OTHERWISE NOTED. PLEASE REFER TO OTHER MANUFACTURERS, IF ANY, FOR THEIR EQUIPMENT REQUIREMENTS.

**CONFIDENTIAL WARNING:**  
 THIS SHEET CONTAINS AND CONSTITUTES CONFIDENTIAL INFORMATION, IMAGES AND TRADE SECRETS OF SONNYS'S ENTERPRISES INC. ANY UNAUTHORIZED USE OR DISCLOSURE OF ANY OR PORTION THEREOF, IS STRICTLY PROHIBITED. THIS WORK IS THE EXCLUSIVE PROPERTY OF SONNYS'S ENTERPRISES INC. ALL RIGHTS RESERVED.

**CWP-125\_FT-Generic**

SCALE: 3/32"=1'

LOCATION: FL

Sheet	Rev.
B.2	- + -

CABLE TRAY LAYOUT  
 EQUIPMENT SUPPORT



http://www.SonnysDirect.com

© 2018 SONNYS'S ENTERPRISES, INC. 5605 Hiatus Road, Tamarac, FL. 33321 USA. TEL. 800-327-8723

DATE:	11.06.17
REVISION DATE:	04.18.18
CREATED BY:	LV
REVISED BY:	FAO
CHECKED BY:	Luis V.

SOLENOID VOLTAGE = 24V

480V		EQUIPMENT LIST										RESPONSIBILITY MATRIX								
ITEM #	DESCRIPTION	ELECTRICAL					WATER			AIR	PLUMBING AND MECHANICAL WORK				ELECTRICAL WORK			REMARKS		
		VOLT	HP	PHASE	AMP	C.B.	M.S.	COLD	HOT		RECLAIM	FURN. BY:	ERECTED BY:	EQ. RM.	PIPING:	TUNNEL. PIPING:	FURN. BY:		ERECTED BY:	WIRED BY:
CWC-SYS	CARWASH CONTROL SYSTEMS	120V		1P		20							SONNYS	GC	GC	GC	SONNYS	GC	GC	
1-A	RECLAIM PUMP STATION	480V	5HP	3P	7.6A	15		1-1/2"	2"	1/2"		SONNYS	SCW	GC	GC	SONNYS	SCW	GC	1/2" AIR FOR PURGE	
1-C	ROLLER UP SOLENOID	24V		1P	.27A					1/2"		SONNYS	SCW	N/A	SCW	SONNYS	SCW	GC		
1-D	(R.O.) FILTRATION SYSTEM	480V	2HP	3P	3.4A	15		1-1/2"				SONNYS	SCW	GC	SCW	SONNYS	SCW	GC		
1-E	(R.O.) REPRESSURIZER	480V	2HP	3P	3.4A	15		1-1/2"				SONNYS	SCW	GC	SCW	SONNYS	SCW	GC		
1-F	(R.O.) WATER STORAGE TANK											SONNYS	SCW	GC	GC	SONNYS	SCW	N/A		
1-F	(R.O.) WATER STORAGE TANK											SONNYS	SCW	GC	GC	SONNYS	SCW	N/A		
1-i	R.T.S. (3-TANK SONNYS)										VARIES	GC	GC	GC	GC	GC	GC	GC		
1-P	WATER SOFTENER SYSTEM							1-1/2"				SONNYS	SCW	GC	GC	SONNYS	SCW	GC		
1-W	(RO. REJECT) WATER STORAGE TANK							1"				SONNYS	SCW	GC	GC	SONNYS	SCW	N/A		
1-W	(RO. REJECT) WATER STORAGE TANK							1"				SONNYS	SCW	GC	GC	SONNYS	SCW	N/A		
1-X	R.O. REJECT PUMP	480V	5HP	3P	7.6A	15		*** 1-1/2"				SONNYS	SCW	GC	SCW	SONNYS	SCW	GC		
1-Z	CHEMICAL CONCIERGE PUMP	208V	3HP	1P	11.0A	30		1-1/2"				SONNYS	SCW	GC	N/A	SONNYS	SCW	GC		
2-A	PREP. GUN PUMP	480V	7.5HP	3P	11A	20	1	3/4"				SONNYS	SCW	GC	GC	SONNYS	SCW	GC		
2-B	PREP. GUN STATION							1/2"				SONNYS	SCW	GC	GC	SONNYS	SCW	N/A	SCH-80 GALVANIZED PIPE	
5-4	FOAMING APPLICATOR-APAP3 (ARCH)											SONNYS	SCW	N/A	SCW	SONNYS	SCW	N/A		
5-5	FLOOR APPLICATOR-D (APA200F)											SONNYS	SCW	N/A	SCW	SONNYS	SCW	N/A		
5-C	APPLICATOR #1 TOP SOLENOID	24V		1P	1.2A							SONNYS	SCW	N/A	SCW	SONNYS	SCW	GC		
5-D	APPLICATOR #1 SIDE SOLENOID	24V		1P	1.2A							SONNYS	SCW	N/A	SCW	SONNYS	SCW	GC		
5-E	FRONT APPLICATOR FLOOR SOLENOID	24V		1P	1.2A							SONNYS	SCW	N/A	SCW	SONNYS	SCW	GC		
6-8	TOTAL BATH BUBBLE PALOOZA											SONNYS	SCW	N/A	SCW	SONNYS	SCW	N/A		
6-E	REAR APPLICATOR FLOOR SOLENOID	24V		1P	1.2A							SONNYS	SCW	N/A	SCW	SONNYS	SCW	GC		
6-G	TOTAL BATH SOLENOID	24V		1P	1.2A							SONNYS	SCW	N/A	SCW	SONNYS	SCW	GC		
6-G	TOTAL BATH SOLENOID	24V		1P	1.2A							SONNYS	SCW	N/A	SCW	SONNYS	SCW	GC		
6-G	TOTAL BATH SOLENOID	24V		1P	1.2A							SONNYS	SCW	N/A	SCW	SONNYS	SCW	GC		
7-3	C.T.A. FOAMER S.H (FMRSHCTA)											SONNYS	SCW	N/A	SCW	SONNYS	SCW	N/A		
7-3	C.T.A. FOAMER S.H (FMRSHCTA)											SONNYS	SCW	N/A	SCW	SONNYS	SCW	N/A		
7-C	CTA SOLENOID #1	24V		1P	1.2A							SONNYS	SCW	N/A	SCW	SONNYS	SCW	GC		
7-D	CTA SOLENOID #2	24V		1P	1.2A							SONNYS	SCW	N/A	SCW	SONNYS	SCW	GC		
8-7	TOTAL SHINE APPLICATOR											SONNYS	SCW	N/A	SCW	SONNYS	SCW	N/A		
8-G	TOTAL SHINE SOLENOID	24V		1P	1.2A							SONNYS	SCW	N/A	SCW	SONNYS	SCW	GC		
10-1	UNDER CARRIAGE (UND-100)											SONNYS	SCW	N/A	SCW	SONNYS	SCW	N/A		
10-6	WRAP FOAMER TUBE											SONNYS	SCW	N/A	SCW	SONNYS	SCW	N/A		
10-7	WRAP FOAMER TUBE											SONNYS	SCW	N/A	SCW	SONNYS	SCW	N/A		
10-10	WRAP ENT. DOUBLE JOG HYDRAULIC											SONNYS	SCW	N/A	SCW	SONNYS	SCW	N/A		
10-11	WRAP EXIT DOUBLE JOG HYDRAULIC											SONNYS	SCW	N/A	SCW	SONNYS	SCW	N/A		
10-A	AIR COMPRESSOR	480V	10HP	3P	14A	25				1"		SONNYS	SCW	GC	N/A	SONNYS	SCW	GC	(SEE MANUFACTURER MANUAL)	
10-A	AIR COMPRESSOR	480V	10HP	3P	14A	25				1"		SONNYS	SCW	GC	N/A	SONNYS	SCW	GC	(SEE MANUFACTURER MANUAL)	
10-A	AIR COMPRESSOR	208V	5HP	3P	16.7A	35				1"		SONNYS	SCW	GC	N/A	SONNYS	SCW	GC		
10-B	UNDER CARRIAGE SOLENOID	24V		1P	1.2A			3/4"				SONNYS	SCW	N/A	SCW	SONNYS	SCW	GC		
10-C	MITTER WATER SOLENOID #1	24V		1P	1.2A			3/4"				SONNYS	SCW	N/A	SCW	SONNYS	SCW	GC		
10-E	WRAP RETRACT SOLENOID (D.S.)	24V		1P	.27A					1/2"		SONNYS	SCW	N/A	SCW	SONNYS	SCW	GC		
10-EE	WRAP RETRACT SOLENOID (D.S.)	24V		1P	.27A					1/2"		SONNYS	SCW	N/A	SCW	SONNYS	SCW	GC		
10-F	WRAP RETRACT SOLENOID (P.S.)	24V		1P	.27A					1/2"		SONNYS	SCW	N/A	SCW	SONNYS	SCW	GC		
10-FF	WRAP RETRACT SOLENOID (P.S.)	24V		1P	.27A					1/2"		SONNYS	SCW	N/A	SCW	SONNYS	SCW	GC		
10-J	WRAP BRUSH WATER SOLENOID	24V		1P	1.2A			3/4"				SONNYS	SCW	N/A	SCW	SONNYS	SCW	GC		
10-K	WRAP BRUSH WATER SOLENOID	24V		1P	1.2A			3/4"				SONNYS	SCW	N/A	SCW	SONNYS	SCW	GC		
10-L	AIR DRYER 35.CFM	120V	1/4HP	1P	5.8	15				3/4"		SONNYS	SCW	GC	N/A	SONNYS	SCW	GC		
10-N	WRAP FOAMER SOLENOID #1	24V		1P	1.2A							SONNYS	SCW	N/A	SCW	SONNYS	SCW	GC		
10-P	WRAP FOAMER SOLENOID #2	24V		1P	1.2A							SONNYS	SCW	N/A	SCW	SONNYS	SCW	GC		

DATE: 11.06.17  
 REVISION DATE: 04.18.18  
 CREATED BY: LV  
 REVISED BY: FAO  
 CHECKED BY: Luis V.



EQUIPMENT LIST-1  
 © 2018 SONNYS ENTERPRISES, INC. 5605 Hiatus Road, Tamarac, FL. 33321 USA. TEL:800-327-8723

GC= GENERAL CONTRACTOR  
 SCW= SONNYS (CARWASH INSTALLER)  
 \* SOFT WATER LINE  
 \*\* R.O. WATER LINE  
 \*\*\* REJECT WATER LINE

**DISCLAIMER**  
 ALTHOUGH BUILDING CODES HAVE BEEN CONSIDERED IN DEVELOPING THIS DRAWING, VERIFICATION OF SITE SPECIFIC CONDITIONS AND COMPLIANCE WITH FEDERAL, STATE AND LOCAL BUILDING CODES IS THE EXCLUSIVE RESPONSIBILITY OF THE CUSTOMER AND/OR ARCHITECT AND ENGINEER. THESE DRAWINGS REFLECT REQUIREMENTS FOR SONNYS'S FURNISHED EQUIPMENT ONLY UNLESS OTHERWISE NOTED. PLEASE REFER TO OTHER MANUFACTURERS, IF ANY, FOR THEIR EQUIPMENT REQUIREMENTS.

**CONFIDENTIAL WARNING:**  
 THIS SHEET CONTAINS AND CONSTITUTES CONFIDENTIAL INFORMATION, IMAGES AND TRADE SECRETS OF SONNYS'S ENTERPRISES INC. ANY UNAUTHORIZED USE OR DISCLOSURE OF ANY OR PORTION THEREOF, IS STRICTLY PROHIBITED. THIS WORK IS THE EXCLUSIVE PROPERTY OF SONNYS'S ENTERPRISES INC. ALL RIGHTS RESERVED.

CWP-125\_FT-Generic  
 SCALE: N.T.S. LOCATION: FL

Sheet Rev.  
 M.1 - + -



SOLENOID VOLTAGE = 24V

480V		EQUIPMENT LIST							RESPONSIBILITY MATRIX											
ITEM #	DESCRIPTION	ELECTRICAL					WATER	HOT	RECLAIM	AIR	PLUMBING AND MECHANICAL WORK				ELECTRICAL WORK			REMARKS		
		VOLT	HP	PHASE	AMP	C.B.					M.S.	COLD	FURN. BY:	ERECTED BY:	EQ. RM.	PIPING:	TUNNEL. PIPING:		FURN. BY:	ERECTED BY:
11-4	TIRE DRESSING												SONNYS	SCW	N/A	SCW	SONNYS	SCW	N/A	
11-9	TIRE/WHEEL BISON (TBGBISON)												SONNYS	SCW	N/A	SCW	SONNYS	SCW	N/A	
11-B	WRAP BRUSH POWER PACK	480V	7.5HP	3P	11A	20	1						SONNYS	SCW	N/A	SCW	SONNYS	SCW	GC	
11-BB	WRAP BRUSH POWER PACK	480V	7.5HP	3P	11A	20	1						SONNYS	SCW	N/A	SCW	SONNYS	SCW	GC	
11-C	TIRE BRUSH RETRACT SOLENOID	24V		1P	.27A					1/2"			SONNYS	SCW	N/A	SCW	SONNYS	SCW	GC	
11-D	(T.S.A.) TIRE SHINE RETRACT SOLENOID	24V		1P	.27A					1/2"			SONNYS	SCW	N/A	SCW	SONNYS	SCW	GC	
11-E	TIRE BRUSH INWARD AIR SOLENOID	24V		1P	.27A					1/2"			SONNYS	SCW	N/A	SCW	SONNYS	SCW	GC	
11-F	(T.S.A.) SUPPLY STATION (G-57)									1/2"			SONNYS	SCW	N/A	N/A	SONNYS	SCW	N/A	
11-G	(T.S.A.) CONTROL PANEL												SONNYS	SCW	GC	SCW	SONNYS	SCW	N/A	
11-i	TBG_SFB POWER PACK	480V	7.5HP	3P	11A	20	1						SONNYS	SCW	N/A	SCW	SONNYS	SCW	GC	
11-J	TIRE DRESSING POWER PACK	480V	3HP	3P	4.1A	15	00						SONNYS	SCW	N/A	SCW	SONNYS	SCW	GC	
12-1	OMNI SINGLE SIDE OMNI 150												SONNYS	SCW	N/A	SCW	SONNYS	SCW	N/A	
12-6	OMNI DOUBLE TOP OMNI-352												SONNYS	SCW	N/A	SCW	SONNYS	SCW	N/A	
12-23	OCTOPUS MIRROR BLASTER												SONNYS	SCW	N/A	SCW	SONNYS	SCW	N/A	
12-A	OMNI POWER UNIT	480V	5HP	3P	7.6A	15	0						SONNYS	SCW	N/A	SCW	SONNYS	SCW	GC	
13-A	H-25 STAND & CONT. (SINGLE UNIT)	120V		1P				*** 1"					SONNYS	SCW	GC	SCW	SONNYS	SCW	GC	
13-B	H-25 STAND & CONT. (DOUBLE UNIT)	120V		1P				1"		1"			SONNYS	SCW	GC	SCW	SONNYS	SCW	GC	
13-C	H-25 OMNI PUMP TOP (#1)	480V	15HP	3P	21A	40	2						SONNYS	SCW	N/A	SCW	SONNYS	SCW	GC	
13-D	OMNI SIDE FLIP SOLENOID	24V		1P	.27A					1/2"			SONNYS	SCW	N/A	SCW	SONNYS	SCW	GC	
13-E	OMNI TOP FLIP SOLENOID	24V		1P	.27A					1/2"			SONNYS	SCW	N/A	SCW	SONNYS	SCW	GC	
13-F	H-25 OMNI PUMP SIDE (#1)	480V	15HP	3P	21A	40	2						SONNYS	SCW	N/A	SCW	SONNYS	SCW	GC	
13-J	DIRECTIONAL SOLENOID VALVE	24V		1P	.60A								SONNYS	SCW	GC	SCW	SONNYS	SCW	GC	
13-M	H-25 PENDULUM PUMP	480V	15HP	3P	21A	40	2						SONNYS	SCW	N/A	SCW	SONNYS	SCW	GC	
13-R	TOTAL RINSE BOOSTER PUMP	480V	3HP	3P	4.8A	15	0	1"					SONNYS	SCW	GC	SCW	SONNYS	SCW	GC	
14	Mr.FOAMER ARCH (BLANK)	120V		1P									SONNYS	SCW	N/A	SCW	SONNYS	SCW	GC	
14-9	THREE COLOR FOAMER FMRSH300												SONNYS	SCW	N/A	SCW	SONNYS	SCW	N/A	
14-11	TOTAL SEAL ARCH												SONNYS	SCW	N/A	SCW	SONNYS	SCW	N/A	
14-12	TOTAL WAX MANIFOLD												SONNYS	SCW	N/A	SCW	SONNYS	SCW	N/A	
14-F	COLOR FOAMER SOLENOID #1	24V		1P	1.2A								SONNYS	SCW	N/A	SCW	SONNYS	SCW	GC	
14-G	COLOR FOAMER SOLENOID #2	24V		1P	1.2A								SONNYS	SCW	N/A	SCW	SONNYS	SCW	GC	
14-H	COLOR FOAMER SOLENOID #3	24V		1P	1.2A								SONNYS	SCW	N/A	SCW	SONNYS	SCW	GC	
14-J	TOTAL SEAL SOLENOID	24V		1P	1.2A								SONNYS	SCW	N/A	SCW	SONNYS	SCW	GC	
14-J	TOTAL SEAL SOLENOID	24V		1P	1.2A								SONNYS	SCW	N/A	SCW	SONNYS	SCW	GC	
14-L	HOT WAX SOLENOID	24V		1P	1.2A								SONNYS	SCW	N/A	SCW	SONNYS	SCW	GC	
14-L	HOT WAX SOLENOID	24V		1P	1.2A								SONNYS	SCW	N/A	SCW	SONNYS	SCW	GC	
14-L	HOT WAX SOLENOID	24V		1P	1.2A								SONNYS	SCW	N/A	SCW	SONNYS	SCW	GC	
15-6	ROCKER PANEL-SFB21												SONNYS	SCW	N/A	SCW	SONNYS	SCW	N/A	
15-16	ROCKER PANEL18" (SFBT18/A)												SONNYS	SCW	N/A	SCW	SONNYS	SCW	N/A	
15-A	SIDE BRUSH POWER UNIT	480V	5HP	3P	7.6A	15	0						SONNYS	SCW	N/A	SCW	SONNYS	SCW	GC	
15-J	SIDE BRUSH- REC. SOLENOID	24V		1P	1.2A						3/4"		SONNYS	SCW	N/A	SCW	SONNYS	SCW	GC	
15-M	SIDE BRUSH REC. SOLENOID	24V		1P	1.2A						3/4"		SONNYS	SCW	N/A	SCW	SONNYS	SCW	GC	
16-10	MIRROR RINSE (RNSMIRRAIN)												SONNYS	SCW	N/A	SCW	SONNYS	SCW	N/A	
16-10	MIRROR RINSE (RNSMIRRAIN)												SONNYS	SCW	N/A	SCW	SONNYS	SCW	N/A	
16-11	TOTAL RINSE (ARCH)												SONNYS	SCW	N/A	SCW	SONNYS	SCW	N/A	
16-B	DRYING AGENT/RINSE WAX SOLENOID	24V		1P	1.2A						3/4"		SONNYS	SCW	N/A	SCW	SONNYS	SCW	GC	
16-E	MITTER WATER SOLENOID #2	24V		1P	1.2A						3/4"		SONNYS	SCW	N/A	SCW	SONNYS	SCW	GC	
16-i	MIRROR RINSE SOLENOID	24V		1P	1.2A						** 3/4"		SONNYS	SCW	GC	SCW	SONNYS	SCW	GC	
16-Q	MIRROR RINSE SOLENOID_2	24V		1P	1.2A						3/4"		SONNYS	SCW	N/A	SCW	SONNYS	SCW	GC	

GC= GENERAL CONTRACTOR  
 SCW = SONNYS (CARWASH INSTALLER)  
 \* SOFT WATER LINE  
 \*\* R.O. WATER LINE  
 \*\*\* REJECT WATER LINE

**DISCLAIMER**  
 ALTHOUGH BUILDING CODES HAVE BEEN CONSIDERED IN DEVELOPING THIS DRAWING, VERIFICATION OF SITE SPECIFIC CONDITIONS AND COMPLIANCE WITH FEDERAL, STATE AND LOCAL BUILDING CODES IS THE EXCLUSIVE RESPONSIBILITY OF THE CUSTOMER AND/OR ARCHITECT AND ENGINEER. THESE DRAWINGS REFLECT REQUIREMENTS FOR SONNY'S FURNISHED EQUIPMENT ONLY UNLESS OTHERWISE NOTED. PLEASE REFER TO OTHER MANUFACTURERS, IF ANY, FOR THEIR EQUIPMENT REQUIREMENTS.

**CONFIDENTIAL WARNING:**  
 THIS SHEET CONTAINS AND CONSTITUTES CONFIDENTIAL INFORMATION, IMAGES AND TRADE SECRETS OF SONNY'S ENTERPRISES INC. ANY UNAUTHORIZED USE OR DISCLOSURE OF ANY OR PORTION THEREOF, IS STRICTLY PROHIBITED. THIS WORK IS THE EXCLUSIVE PROPERTY OF SONNY'S ENTERPRISES INC. ALL RIGHTS RESERVED.

**CWP-125\_FT-Generic**

SCALE: N.T.S.      LOCATION: FL

Sheet	Rev.
M.2	- + -

DATE: 11.06.17

REVISION DATE: 04.18.18

CREATED BY: LV

REVISED BY: FAO

CHECKED BY: Luis V.



http://www.SonnysDirect.com

EQUIPMENT LIST-2

© 2018 SONNY'S ENTERPRISES, INC. 5605 Hiatus Road, Tamarac, FL. 33321 USA. TEL:800-327-8723

SOLENOID VOLTAGE = 24V

480V		EQUIPMENT LIST							RESPONSIBILITY MATRIX									
ITEM #	DESCRIPTION	ELECTRICAL					WATER	HOT	RECLAIM	AIR	PLUMBING AND MECHANICAL WORK				ELECTRICAL WORK			REMARKS
		VOLT	HP	PHASE	AMP	C.B.					M.S.	FURN. BY:	ERECTED BY:	EQ. RM.	PIPING:	TUNNEL. PIPING:	FURN. BY:	
17-1	SEALER WAX (ARCH) SLR-100									SONNYS	SCW	N/A	SCW	SONNYS	SCW	N/A		
17-3	SPOT FREE ARCH FOR (R.O./D.I.) SYS.									SONNYS	SCW	N/A	SCW	SONNYS	SCW	N/A		
17-4	DRYING AGENT/RINSE WAX (ARCH)									SONNYS	SCW	N/A	SCW	SONNYS	SCW	N/A		
17-6	MULTIPLE RAIN (ARCH-10')									SONNYS	SCW	N/A	SCW	SONNYS	SCW	N/A		
17-B	SEALER WAX SOLENOID	24V		1P	1.2A					SONNYS	SCW	N/A	SCW	SONNYS	SCW	GC		
17-H	SPOT FREE SOLENOID (RO & D.I.-OPT.)	24V		1P	1.2A					SONNYS	SCW	GC	SCW	SONNYS	SCW	GC		
18-0	CONVEYOR PIT									GC	GC	GC	GC	N/A	N/A	N/A	CONVEYOR PIT 1'-6" LONGER THAN CONVEYOR	
18-1	(8X2) CORRELATOR PIT									GC	GC	N/A	N/A	N/A	N/A	N/A		
18-10	GALVANIZED TUBE (3X5)"									SONNYS	SCW							
18-B	CONVEYOR POWER UNIT (TWIN)	480V	10HP	3P	14A	25	1			SONNYS	SCW	N/A	SCW	SONNYS	SCW	GC		
18-C	CONVEYOR AIR SOL.	24V		1P	.27A				1/2"	SONNYS	SCW	GC	SCW	SONNYS	SCW	GC		
18-E	GRATING, FIBERGLASS 1-1/2"									SONNYS	SCW	N/A	SCW	N/A	N/A	N/A		
19	ENTRANCE EYE CONTROL STATION	24V		1P	.67A					SONNYS	SCW	N/A	N/A	SONNYS	SCW	GC		
19-3	ROLLER MID 4WHL W/LOG LINK									SONNYS	SCW	N/A	SCW	SONNYS	SCW	N/A		
20	PUSH BUTTON PEDESTAL									SONNYS				SONNYS				
20-1	TUNNEL CONTROLLER	24V		1P	.67A					SONNYS	GC	N/A	N/A	SONNYS	GC	GC		
20-B	PROGRAMMER PUSH BUTTON STATION	120V		1P		20				SONNYS				SONNYS		GC		
20-C	PAY STATION (2)	120V		1P		20				SONNYS	GC	GC	GC	SONNYS	GC	GC		
20-D	GATE (2)	120V		1P		20				SONNYS	GC	N/A	GC	SONNYS	GC	GC		
20-H	RFID READER (2)									SONNYS	SCW	N/A	N/A	SONNYS	SCW	GC		
21	MOTOR CONTROL CENTER (MCC)	480V		3P	TBD					SONNYS	GC	N/A	N/A	SONNYS	GC	GC	(VERIFY TCL)	
21-C	ANTI COLLISION CONTROL BOX	24V		1P	.67A					SONNYS	GC	N/A	N/A	SONNYS	GC	GC		
22-A	ELECTRICAL EYE SENSORS									SONNYS	SCW	N/A	N/A	SONNYS	SCW	GC		
22-B	ENTRANCE TIRE SWITCH									SONNYS	SCW	N/A	N/A	SONNYS	SCW	GC		
22-C	STOP / START STATIONS	24V		1P						GC	GC	N/A	N/A	GC	GC	GC	MOMENTARY START	
22-D	ANTI COLLISION PAD	24V		1P						SONNYS	SCW	N/A	N/A	SONNYS	SCW	GC		
22-E	WARNING HORN	24V		1P						SONNYS	SCW	N/A	N/A	SONNYS	SCW	GC		
22-Q	AUTO ROLLER UP									SONNYS	SCW	N/A	N/A	SONNYS	SCW	GC		
23-4	MITTER/MOTOR SFM901 (FB)	480V	2HP	3P	3.4A	15	00			SONNYS	SCW	N/A	SCW	SONNYS	SCW	GC		
24-6	PENDULUM/MITTER MOTOR SFM807	480V	2HP	3P	3.4A	15	00			SONNYS	SCW	N/A	SCW	SONNYS	SCW	GC		
24-17	DCW TOP BRUSH									SONNYS	SCW	N/A	N/A	SONNYS	SCW	N/A		
24-G	TOP BRUSH MOTOR	480V	1HP	3P	1.65A	15	00			SONNYS	SCW	N/A	N/A	SONNYS	SCW	GC		
24-I	TOP BRUSH RETRACT SOLENOID	24V		1P	.27A				1/2"	SONNYS	SCW	N/A	SCW	SONNYS	SCW	GC		
24-J	TOP BRUSH WATER SOLENOID	24V		1P	1.2A				3/4"	SONNYS	SCW	N/A	SCW	SONNYS	SCW	GC		
25-2	BLOWER ARCH 130" (3)									SONNYS	SCW	N/A	N/A	SONNYS	SCW	N/A		
25-4	BLOWER BnD TOP FRAME									SONNYS	SCW	N/A	SCW	SONNYS	SCW	N/A		
25-5	BLOWER BnD SIDE									SONNYS	SCW	N/A	SCW	SONNYS	SCW	GC		
25-6	BUFF n DRY COMBO LEG									SONNYS	SCW	N/A	N/A	SONNYS	SCW	N/A		
25-9	ENTRANCE WRAP AROUND (BnD)									SONNYS	SCW	N/A	SCW	SONNYS	SCW	N/A		
25-A	BLOWER MOTOR NO.1	480V	15HP	3P	17A	40	2			SONNYS	SCW	N/A	N/A	SONNYS	SCW	GC		
25-B	BLOWER MOTOR NO.2	480V	15HP	3P	17A	40	2			SONNYS	SCW	N/A	N/A	SONNYS	SCW	GC		
25-C	BLOWER MOTOR NO.3	480V	15HP	3P	17A	40	2			SONNYS	SCW	N/A	N/A	SONNYS	SCW	GC		
25-D	BLOWER MOTOR NO.4	480V	15HP	3P	17A	40	2			SONNYS	SCW	N/A	N/A	SONNYS	SCW	GC		
25-E	BLOWER MOTOR NO.5	480V	15HP	3P	17A	40	2			SONNYS	SCW	N/A	N/A	SONNYS	SCW	GC		
25-F	BLOWER MOTOR NO.6	480V	15HP	3P	17A	40	2			SONNYS	SCW	N/A	N/A	SONNYS	SCW	GC		
25-G	BLOWER MOTOR NO.7	480V	15HP	3P	17A	40	2			SONNYS	SCW	N/A	N/A	SONNYS	SCW	GC		
25-H	BLOWER MOTOR NO.8	480V	15HP	3P	17A	40	2			SONNYS	SCW	N/A	N/A	SONNYS	SCW	GC		
25-I	BLOWER MOTOR NO.9	480V	15HP	3P	17A	40	2			SONNYS	SCW	N/A	N/A	SONNYS	SCW	GC		
25-J	BLOWER MOTOR NO.10	480V	15HP	3P	17A	40	2			SONNYS	SCW	N/A	N/A	SONNYS	SCW	GC		
25-K	BLOWER MOTOR NO.11	480V	15HP	3P	17A	40	2			SONNYS	SCW	N/A	N/A	SONNYS	SCW	GC		
25-L	BLOWER MOTOR NO.12	480V	15HP	3P	17A	40	2			SONNYS	SCW	N/A	N/A	SONNYS	SCW	GC		

GC= GENERAL CONTRACTOR  
 SCW= SONNYS (CARWASH INSTALLER)  
 \* SOFT WATER LINE  
 \*\* R.O. WATER LINE  
 \*\*\* REJECT WATER LINE

**DISCLAIMER**  
 ALTHOUGH BUILDING CODES HAVE BEEN CONSIDERED IN DEVELOPING THIS DRAWING, VERIFICATION OF SITE SPECIFIC CONDITIONS AND COMPLIANCE WITH FEDERAL, STATE AND LOCAL BUILDING CODES IS THE EXCLUSIVE RESPONSIBILITY OF THE CUSTOMER AND/OR ARCHITECT AND ENGINEER. THESE DRAWINGS REFLECT REQUIREMENTS FOR SONNY'S FURNISHED EQUIPMENT ONLY UNLESS OTHERWISE NOTED. PLEASE REFER TO OTHER MANUFACTURERS, IF ANY, FOR THEIR EQUIPMENT REQUIREMENTS.

**CONFIDENTIAL WARNING:**  
 THIS SHEET CONTAINS AND CONSTITUTES CONFIDENTIAL INFORMATION, IMAGES AND TRADE SECRETS OF SONNY'S ENTERPRISES INC. ANY UNAUTHORIZED USE OR DISCLOSURE OF ANY OR PORTION THEREOF, IS STRICTLY PROHIBITED. THIS WORK IS THE EXCLUSIVE PROPERTY OF SONNY'S ENTERPRISES INC. ALL RIGHTS RESERVED.

**CWP-125\_FT-Generic**  
 SCALE: N.T.S. LOCATION: FL

Sheet Rev.  
 M.3 - + -

**EQUIPMENT LIST-3**  
 DATE: 11.06.17  
 REVISION DATE: 04.18.18  
 CREATED BY: LV  
 REVISED BY: FAO  
 CHECKED BY: Luis V.  
  
 http://www.SonnysDirect.com  
 © 2018 SONNY'S ENTERPRISES, INC. 5605 Hiatus Road, Tamarac, FL. 33321 USA. TEL:800-327-8723

SOLENOID VOLTAGE = 24V

480V		EQUIPMENT LIST							RESPONSIBILITY MATRIX									
ITEM #	DESCRIPTION	ELECTRICAL					WATER COLD HOT RECLAIM	AIR	PLUMBING AND MECHANICAL WORK				ELECTRICAL WORK			REMARKS		
		VOLT	HP	PHASE	AMP	C.B. M.S.			FURN. BY:	ERECTED BY:	EQ. RM.	PIPING:	TUNNEL. PIPING:	FURN. BY:	ERECTED BY:		WIRED BY:	
26-1	BLOWER GATOR (12)										SONNYS	SCW	N/A	N/A	SONNYS	SCW	N/A	
26-2	BLOWER, MAMMOTH DRYER										SONNYS	SCW	N/A	N/A	SONNYS	SCW	N/A	
26-3	BLOWER, MAMMOTH PIVOTING										SONNYS	SCW	N/A	N/A	SONNYS	SCW	N/A	
26-B	BLOWER (GATOR) SOLENOID (5)	24V		1P	.27A				1/2"		SONNYS	SCW	N/A	SCW	SONNYS	SCW	GC	
26-C	TOP BRUSH MOTOR (B&D)	480V	1HP	3P	1.65A	15	00				SONNYS	SCW	N/A	N/A	SONNYS	SCW	GC	
26-D	TOP BRUSH RETRACT SOLENOID_B&D	24V		1P	.27A				1/2"		SONNYS	SCW	N/A	SCW	SONNYS	SCW	GC	
26-E	BLOWER MAMMOTH PIVOTING SOLENOID	24V		1P	.27A				1/2"		SONNYS	SCW	N/A	SCW	SONNYS	SCW	GC	
26-F	WRAP MOTOR _ B&D (DS)	480V	1HP	3P	1.65A	15	00				SONNYS	SCW	N/A	N/A	SONNYS	SCW	GC	
26-G	WRAP MOTOR _ B&D (PS)	480V	1HP	3P	1.65A	15	00				SONNYS	SCW	N/A	N/A	SONNYS	SCW	GC	
26-H	WRAP RETRACT SOLENOID (D.S.) (B&D)	24V		1P	.27A				1/2"		SONNYS	SCW	N/A	SCW	SONNYS	SCW	GC	
26-i	WRAP RETRACT SOLENOID (P.S.) (B&D)	24V		1P	.27A				1/2"		SONNYS	SCW	N/A	SCW	SONNYS	SCW	GC	
27	PULSE SWITCH										SONNYS	SCW	N/A	N/A	SONNYS	SCW	GC	
27-2	TRUCK BED CONCIERGE	24V		1P							SONNYS	SCW	N/A	N/A	SONNYS	SCW	SCW	
27-B	U. SOUND SENSOR CONTROL BOX	120V		1P	.25A						SONNYS	SCW	N/A	N/A	SONNYS	SCW	GC	
27-C	CONVEYOR PULSE CONTROL BOX	120V		1P	.25A	10					SONNYS	SCW	GC	SCW	SONNYS	SCW	GC	
29-3	PIPE LIGHT, LED IP69K (SIGN) (9)	120V		1P	0.57A						SONNYS	SCW	N/A	N/A	SONNYS	SCW	GC	
29-B	UNDER CARRIAGE (SIGN)	120V		1P	2.5A						SONNYS	SCW	N/A	N/A	SONNYS	SCW	GC	
29-D	SEALER WAX (SIGN)	120V		1P	2.5A						SONNYS	SCW	N/A	N/A	SONNYS	SCW	GC	
29-E	T.S.A. (SIGN)	120V		1P	2.5A						SONNYS	SCW	N/A	N/A	SONNYS	SCW	GC	
30-C	(WAIT & GO) INSTRUCTIONAL SIGN	120V		1P	2.5A	20					SONNYS	SCW	N/A	N/A	SONNYS	SCW	GC	
30-E	ENTRANCE INSTRUCTIONAL CABINET	120V		1P		20					SONNYS	SCW	N/A	N/A	SONNYS	SCW	GC	
30-G	PKG. RECEIVED SIGN	120V		1P		20					SONNYS	SCW	N/A	N/A	SONNYS	SCW	GC	
30-i	DIGITAL MENU DISPLAY 55" (2)	120V		1P		20					SONNYS	SCW	N/A	N/A	SONNYS	SCW	GC	
37-3	VACUUM DOUBLE DROP BOOM										GC	GC	N/A	N/A	N/A	N/A	N/A	
37-B	VACUUM SEPARATOR										SONNYS	SCW	N/A	GC	SONNYS	SCW	N/A	
37-B	VACUUM SEPARATOR										SONNYS	SCW	N/A	GC	SONNYS	SCW	N/A	
37-K	VACUUM (30HP)	480V	30HP	3P	40A	80	3				SONNYS	SCW	N/A	N/A	SONNYS	SCW	GC	
37-K	VACUUM (30HP)	480V	30HP	3P	40A	80	3				SONNYS	SCW	N/A	N/A	SONNYS	SCW	GC	
40-C	CUSTOM ENTR. SIGN (GEARCH)										SONNYS	SCW	N/A	N/A	N/A	N/A	N/A	
42	SOL_CONTROL PANEL (RECLAIM)								1"	1"	SONNYS	SCW	GC	SCW	SONNYS	SCW	N/A	
43	SOL_CONTROL PANEL (WATER)								1"		SONNYS	SCW	GC	SCW	SONNYS	SCW	N/A	
44	SOL_CONTROL PNL. (PNEUMATIC)									1"	SONNYS	SCW	GC	SCW	SONNYS	SCW	N/A	
44-A	SOL_CONTROL PNL. (PNEUMATIC)									1"	SONNYS	SCW	GC	SCW	SONNYS	SCW	N/A	
44-B	SOL_CONTROL PNL. (PNEUMATIC)									1"	SONNYS	SCW	GC	SCW	SONNYS	SCW	N/A	
48-B	CHEMICAL CONCIERGE PANEL #1								1-1/2"	1/2"	SONNYS	SCW	GC	SCW	SONNYS	SCW	N/A	
48-C	CHEMICAL CONCIERGE PANEL #2								1-1/2"	1/2"	SONNYS	SCW	GC	SCW	SONNYS	SCW	N/A	
48-D	CHEMICAL CONCIERGE PANEL #3								1-1/2"	1/2"	SONNYS	SCW	GC	SCW	SONNYS	SCW	N/A	

DATE: 11.06.17  
 REVISION DATE: 04.18.18  
 CREATED BY: LV  
 REVISED BY: FAO  
 CHECKED BY: Luis V.



EQUIPMENT LIST-4  
 © 2018 SONNYS ENTERPRISES, INC. 5605 Hiatus Road, Tamarac, FL. 33321 USA. TEL: 800-327-8723

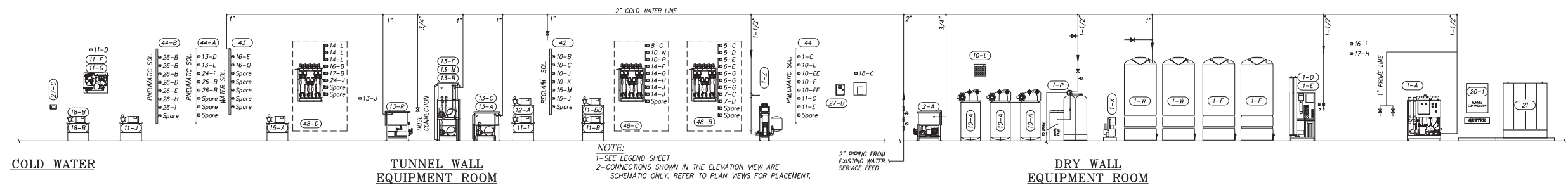
GC= GENERAL CONTRACTOR  
 SCW = SONNYS (CARWASH INSTALLER)  
 \* SOFT WATER LINE  
 \*\* R.O. WATER LINE  
 \*\*\* REJECT WATER LINE

**DISCLAIMER**  
 ALTHOUGH BUILDING CODES HAVE BEEN CONSIDERED IN DEVELOPING THIS DRAWING, VERIFICATION OF SITE SPECIFIC CONDITIONS AND COMPLIANCE WITH FEDERAL, STATE AND LOCAL BUILDING CODES IS THE EXCLUSIVE RESPONSIBILITY OF THE CUSTOMER AND/OR ARCHITECT AND ENGINEER. THESE DRAWINGS REFLECT REQUIREMENTS FOR SONNYS FURNISHED EQUIPMENT ONLY UNLESS OTHERWISE NOTED. PLEASE REFER TO OTHER MANUFACTURERS, IF ANY, FOR THEIR EQUIPMENT REQUIREMENTS.

**CONFIDENTIAL WARNING:**  
 THIS SHEET CONTAINS AND CONSTITUTES CONFIDENTIAL INFORMATION, IMAGES AND TRADE SECRETS OF SONNYS ENTERPRISES INC. ANY UNAUTHORIZED USE OR DISCLOSURE OF ANY OR PORTION THEREOF, IS STRICTLY PROHIBITED. THIS WORK IS THE EXCLUSIVE PROPERTY OF SONNYS ENTERPRISES INC. ALL RIGHTS RESERVED.

CWP-125\_FT-Generic  
 SCALE: N.T.S. LOCATION: FL  
 Sheet M.4 Rev. - + -



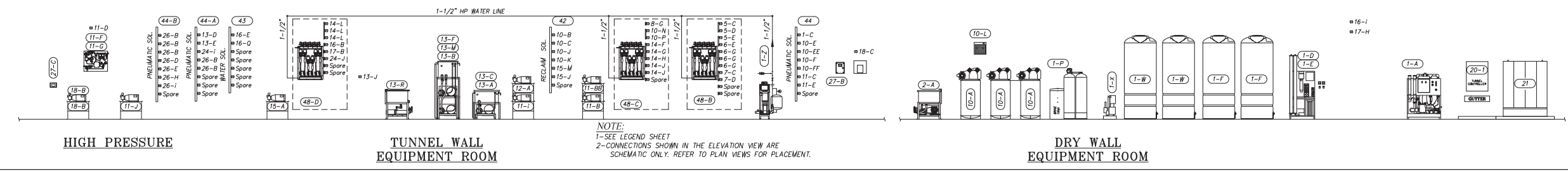


COLD WATER

TUNNEL WALL EQUIPMENT ROOM

DRY WALL EQUIPMENT ROOM

NOTE:  
1-SEE LEGEND SHEET  
2-CONNECTIONS SHOWN IN THE ELEVATION VIEW ARE SCHEMATIC ONLY. REFER TO PLAN VIEWS FOR PLACEMENT.

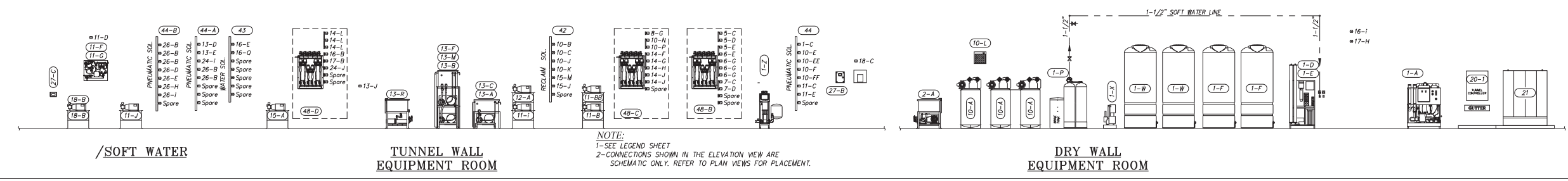


HIGH PRESSURE

TUNNEL WALL EQUIPMENT ROOM

DRY WALL EQUIPMENT ROOM

NOTE:  
1-SEE LEGEND SHEET  
2-CONNECTIONS SHOWN IN THE ELEVATION VIEW ARE SCHEMATIC ONLY. REFER TO PLAN VIEWS FOR PLACEMENT.

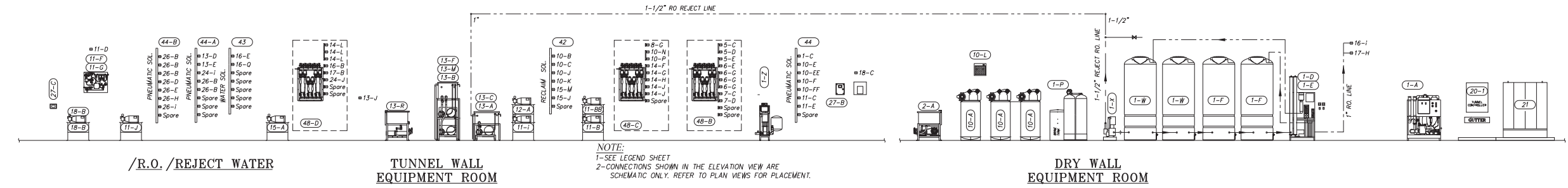


/SOFT WATER

TUNNEL WALL EQUIPMENT ROOM

DRY WALL EQUIPMENT ROOM

NOTE:  
1-SEE LEGEND SHEET  
2-CONNECTIONS SHOWN IN THE ELEVATION VIEW ARE SCHEMATIC ONLY. REFER TO PLAN VIEWS FOR PLACEMENT.

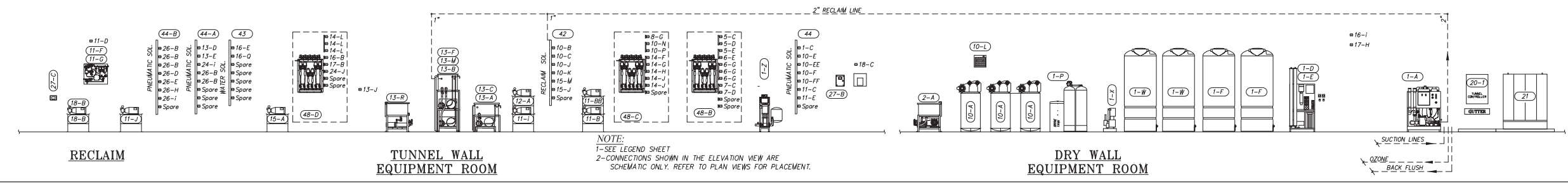


/R.O./REJECT WATER

TUNNEL WALL EQUIPMENT ROOM

DRY WALL EQUIPMENT ROOM

NOTE:  
1-SEE LEGEND SHEET  
2-CONNECTIONS SHOWN IN THE ELEVATION VIEW ARE SCHEMATIC ONLY. REFER TO PLAN VIEWS FOR PLACEMENT.

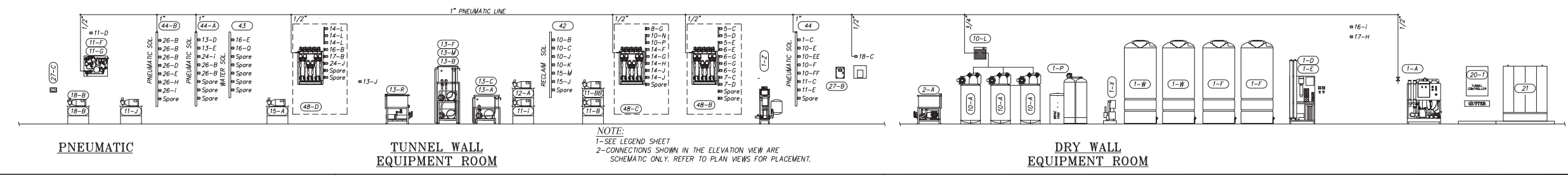


RECLAIM

TUNNEL WALL EQUIPMENT ROOM

DRY WALL EQUIPMENT ROOM

NOTE:  
1-SEE LEGEND SHEET  
2-CONNECTIONS SHOWN IN THE ELEVATION VIEW ARE SCHEMATIC ONLY. REFER TO PLAN VIEWS FOR PLACEMENT.



PNEUMATIC

TUNNEL WALL EQUIPMENT ROOM

DRY WALL EQUIPMENT ROOM

NOTE:  
1-SEE LEGEND SHEET  
2-CONNECTIONS SHOWN IN THE ELEVATION VIEW ARE SCHEMATIC ONLY. REFER TO PLAN VIEWS FOR PLACEMENT.

**DISCLAIMER**  
ALTHOUGH BUILDING CODES HAVE BEEN CONSIDERED IN DEVELOPING THIS DRAWING, VERIFICATION OF SITE SPECIFIC CONDITIONS AND COMPLIANCE WITH FEDERAL, STATE AND LOCAL BUILDING CODES IS THE EXCLUSIVE RESPONSIBILITY OF THE CUSTOMER AND/OR ARCHITECT AND ENGINEER. THESE DRAWINGS REFLECT REQUIREMENTS FOR SONNYS'S FURNISHED EQUIPMENT ONLY UNLESS OTHERWISE NOTED. PLEASE REFER TO OTHER MANUFACTURERS, IF ANY, FOR THEIR EQUIPMENT REQUIREMENTS.

**CONFIDENTIAL WARNING:**  
THIS SHEET CONTAINS AND CONSTITUTES CONFIDENTIAL INFORMATION, IMAGES AND TRADE SECRETS OF SONNYS'S ENTERPRISES INC. ANY UNAUTHORIZED USE OR DISCLOSURE OF ANY OR PORTION THEREOF, IS STRICTLY PROHIBITED. THIS WORK IS THE EXCLUSIVE PROPERTY OF SONNYS'S ENTERPRISES INC. ALL RIGHTS RESERVED.

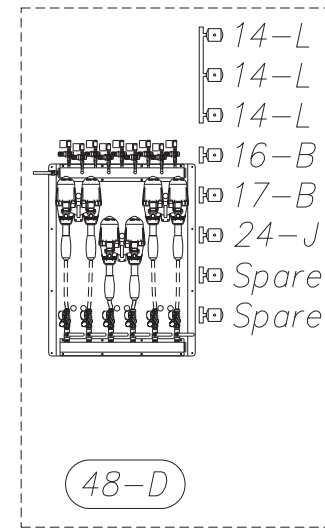
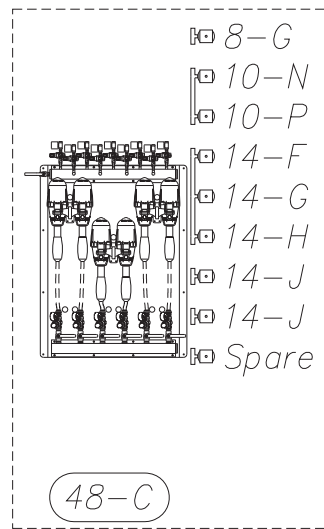
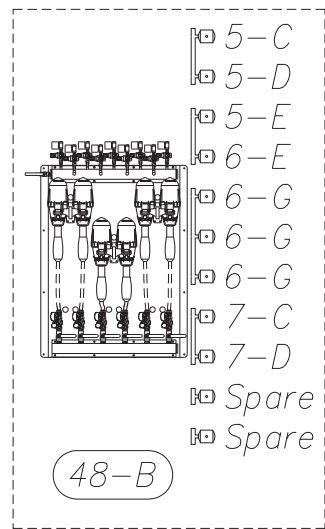
**CWP-125\_FT-Generic**  
SCALE: N.T.S. LOCATION: FL

Sheet	Rev.
P.1	+-

DATE:	11.06.17
REVISION DATE:	04.18.18
CREATED BY:	LV
REVISED BY:	FAO
CHECKED BY:	Luis V.

**SONNYS'S**  
The CarWash Factory

http://www.SonnysDirect.com



Pre Plumb (24V) Injectors QTY: 6

INJECTOR	TYPE	APPLICATION
PUMP # 1	5-C	APPLICATOR #1 TOP SOLENOID
	5-D	APPLICATOR #1 SIDE SOLENOID
PUMP # 2	5-E	FRONT APPLICATOR FLOOR SOLENOID
	6-E	REAR APPLICATOR FLOOR SOLENOID
PUMP # 3	6-G	TOTAL BATH SOLENOID
	6-G	TOTAL BATH SOLENOID
	6-G	TOTAL BATH SOLENOID
PUMP # 4	7-C	CTA SOLENOID #1
	7-D	CTA SOLENOID #2
PUMP # 5	SPARE	
PUMP # 6	SPARE	

Pre Plumb (24V) Injectors QTY: 6

INJECTOR	TYPE	APPLICATION
PUMP # 1	8-G	TOTAL SHINE SOLENOID
PUMP # 2	10-N	WRAP FOAMER SOLENOID #1
	10-P	WRAP FOAMER SOLENOID #2
PUMP # 3	14-F	COLOR FOAMER SOLENOID #1
	14-G	COLOR FOAMER SOLENOID #2
	14-H	COLOR FOAMER SOLENOID #3
PUMP # 4	14-J	TOTAL SEAL SOLENOID
PUMP # 5	14-J	TOTAL SEAL SOLENOID
PUMP # 6	SPARE	

Pre Plumb (24V) Injectors QTY: 6

INJECTOR	TYPE	APPLICATION
PUMP # 1	14-L	HOT WAX SOLENOID
	14-L	HOT WAX SOLENOID
	14-L	HOT WAX SOLENOID
PUMP # 2	16-B	DRYING AGENT/RINSE WAX SOLENOID
PUMP # 3	17-B	SEALER WAX SOLENOID
PUMP # 4	24-J	TOP BRUSH WATER SOLENOID
PUMP # 5	SPARE	
PUMP # 6	SPARE	

**DISCLAIMER**  
ALTHOUGH BUILDING CODES HAVE BEEN CONSIDERED IN DEVELOPING THIS DRAWING, VERIFICATION OF SITE SPECIFIC CONDITIONS AND COMPLIANCE WITH FEDERAL, STATE AND LOCAL BUILDING CODES IS THE EXCLUSIVE RESPONSIBILITY OF THE CUSTOMER AND/OR ARCHITECT AND ENGINEER. THESE DRAWINGS REFLECT REQUIREMENTS FOR SONNYS'S FURNISHED EQUIPMENT ONLY UNLESS OTHERWISE NOTED. PLEASE REFER TO OTHER MANUFACTURERS, IF ANY, FOR THEIR EQUIPMENT REQUIREMENTS.

**CONFIDENTIAL WARNING:**  
THIS SHEET CONTAINS AND CONSTITUTES CONFIDENTIAL INFORMATION, IMAGES AND TRADE SECRETS OF SONNYS'S ENTERPRISES INC. ANY UNAUTHORIZED USE OR DISCLOSURE OF ANY OR PORTION THEREOF, IS STRICTLY PROHIBITED. THIS WORK IS THE EXCLUSIVE PROPERTY OF SONNYS'S ENTERPRISES INC. ALL RIGHTS RESERVED.

**CWP-125\_FT-Generic**

SCALE: N.T.S.

LOCATION: FL

Sheet Rev.

P.2 - + -

CHEMICAL DISTRIBUTION; SCWI

**SONNYS'S**  
The CarWash Factory

DATE: 11.06.17  
REVISION DATE: 04.18.18  
CREATED BY: LV  
REVISED BY: FAO  
CHECKED BY: Luis V.

http://www.SonnysDirect.com

RECLAIM SOL.

42

- ☐ 10-B
- ☐ 10-C
- ☐ 10-J
- ☐ 10-K
- ☐ 15-M
- ☐ 15-J
- ☐ Spare

(42)-SOLENOID MANIFOLD (24V)	
Solenoid	APPLICATION
10-B	UNDER CARRIAGE SOLENOID
10-C	MITTER WATER SOLENOID #1
10-J	WRAP BRUSH WATER SOLENOID
10-K	WRAP BRUSH WATER SOLENOID
15-M	SIDE BRUSH 50- REC. SOLENOID
15-J	SIDE BRUSH- REC. SOLENOID
SPARE	

WATER SOL.

43

- ☐ 16-E
- ☐ 16-Q
- ☐ Spare
- ☐ Spare
- ☐ Spare
- ☐ Spare

(43)-SOLENOID MANIFOLD (24V)	
Solenoid	APPLICATION
16-E	MITTER WATER SOLENOID #2
16-Q	MIRROR RINSE SOLENOID
SPARE	
SPARE	
SPARE	
SPARE	
SPARE	

PNEUMATIC SOL.

44

- ☐ 1-C
- ☐ 10-E
- ☐ 10-EE
- ☐ 10-F
- ☐ 10-FF
- ☐ 11-C
- ☐ 11-E
- ☐ Spare

(44)-SOLENOID MANIFOLD (24V)	
Solenoid	APPLICATION
1-C	ROLLER UP SOLENOID
10-E	WRAP RETRACT SOLENOID (D.S.)
10-EE	WRAP RETRACT SOLENOID (D.S.)
10-F	WRAP RETRACT SOLENOID (P.S.)
10-FF	WRAP RETRACT SOLENOID (P.S.)
11-C	TIRE BRUSH RETRACT SOLENOID
11-E	TIRE BRUSH INWARD AIR SOLENOID
SPARE	

WATER SOL.

43

- ☐ 16-E
- ☐ 16-Q
- ☐ Spare
- ☐ Spare
- ☐ Spare
- ☐ Spare
- ☐ Spare

(44-A)-SOLENOID MANIFOLD (24V)	
Solenoid	APPLICATION
13-D	OMNI SIDE FLIP SOLENOID
13-E	OMNI TOP FLIP SOLENOID
24-i	TOP BRUSH RETRACT SOLENOID
26-B	BLOWER (GATOR) SOLENOID
26-B	BLOWER (GATOR) SOLENOID
SPARE	
SPARE	
SPARE	

PNEUMATIC SOL.

44-A

- ☐ 13-D
- ☐ 13-E
- ☐ 24-i
- ☐ 26-B
- ☐ 26-B
- ☐ Spare
- ☐ Spare
- ☐ Spare

(44-B)-SOLENOID MANIFOLD (24V)	
Solenoid	APPLICATION
26-B	BLOWER (GATOR) SOLENOID
26-B	BLOWER (GATOR) SOLENOID
26-B	BLOWER (GATOR) SOLENOID
26-D	TOP BRUSH RETRACT SOLENOID_B&D
26-E	BLOWER MAMMOTH PIVOTING SOLENOID
26-H	WRAP RETRACT SOLENOID (D.S.) (B&D)
26-i	WRAP RETRACT SOLENOID (P.S.) (B&D)
SPARE	

**DISCLAIMER**  
ALTHOUGH BUILDING CODES HAVE BEEN CONSIDERED IN DEVELOPING THIS DRAWING, VERIFICATION OF SITE SPECIFIC CONDITIONS AND COMPLIANCE WITH FEDERAL, STATE AND LOCAL BUILDING CODES IS THE EXCLUSIVE RESPONSIBILITY OF THE CUSTOMER AND/OR ARCHITECT AND ENGINEER. THESE DRAWINGS REFLECT REQUIREMENTS FOR SONNY'S FURNISHED EQUIPMENT ONLY UNLESS OTHERWISE NOTED. PLEASE REFER TO OTHER MANUFACTURERS, IF ANY, FOR THEIR EQUIPMENT REQUIREMENTS.

**CONFIDENTIAL WARNING:**  
THIS SHEET CONTAINS AND CONSTITUTES CONFIDENTIAL INFORMATION, IMAGES AND TRADE SECRETS OF SONNY'S ENTERPRISES INC. ANY UNAUTHORIZED USE OR DISCLOSURE OF ANY OR PORTION THEREOF, IS STRICTLY PROHIBITED. THIS WORK IS THE EXCLUSIVE PROPERTY OF SONNY'S ENTERPRISES INC. ALL RIGHTS RESERVED.

CWP-125\_FT-Generic

SCALE: N.T.S.

LOCATION: FL

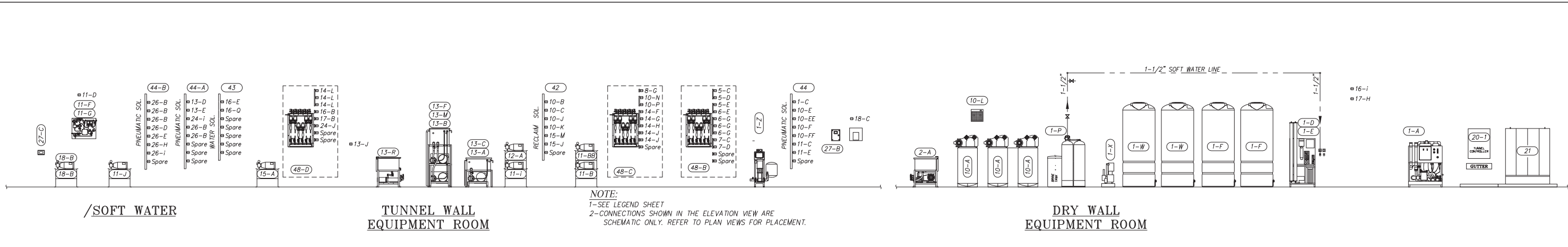
Sheet	Rev.
P.2A	- + -

CHEMICAL DISTRIBUTION; SCWI







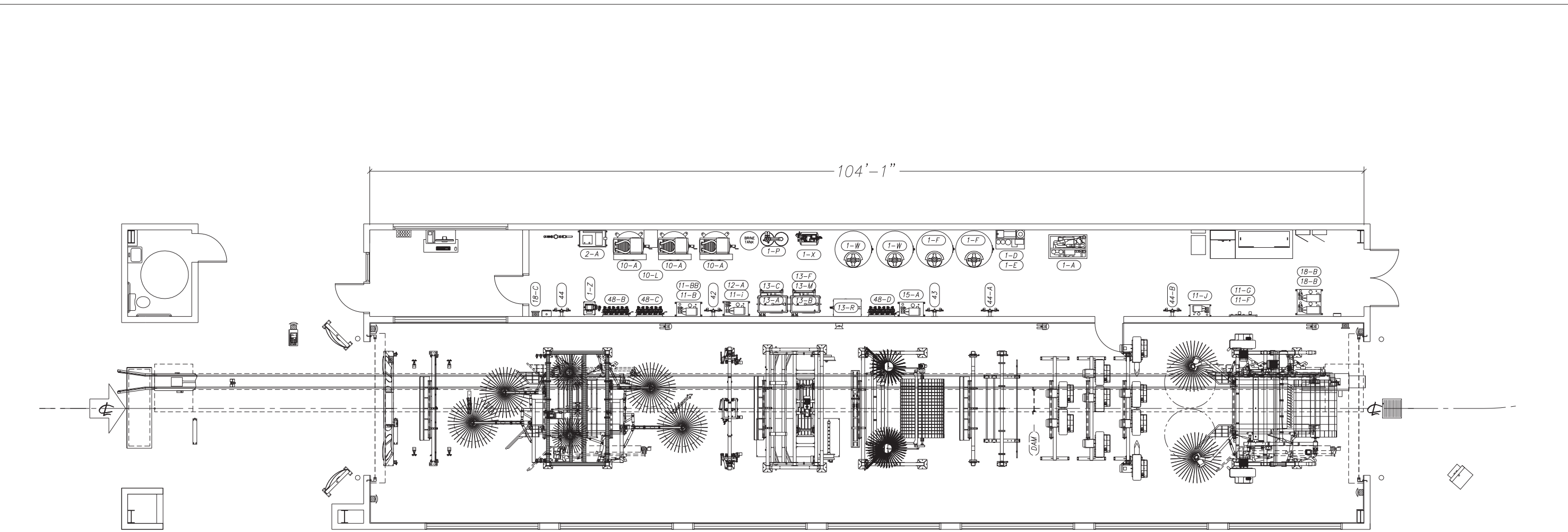


/SOFT WATER

TUNNEL WALL  
EQUIPMENT ROOM

NOTE:  
1-SEE LEGEND SHEET  
2-CONNECTIONS SHOWN IN THE ELEVATION VIEW ARE  
SCHEMATIC ONLY. REFER TO PLAN VIEWS FOR PLACEMENT.

DRY WALL  
EQUIPMENT ROOM



NOT FOR CONSTRUCTION UNTIL APPROVED BELOW.  
APPROVED BY. \_\_\_\_\_ DATE \_\_\_\_\_

**DISCLAIMER**  
ALTHOUGH BUILDING CODES HAVE BEEN CONSIDERED IN DEVELOPING THIS DRAWING, VERIFICATION OF SITE SPECIFIC CONDITIONS AND COMPLIANCE WITH FEDERAL, STATE AND LOCAL BUILDING CODES IS THE EXCLUSIVE RESPONSIBILITY OF THE CUSTOMER AND/OR ARCHITECT AND ENGINEER. THESE DRAWINGS REFLECT REQUIREMENTS FOR SONNY'S FURNISHED EQUIPMENT ONLY UNLESS OTHERWISE NOTED. PLEASE REFER TO OTHER MANUFACTURERS, IF ANY, FOR THEIR EQUIPMENT REQUIREMENTS.

**CONFIDENTIAL WARNING:**  
THIS SHEET CONTAINS AND CONSTITUTES CONFIDENTIAL INFORMATION, IMAGES AND TRADE SECRETS OF SONNY'S ENTERPRISES INC. ANY UNAUTHORIZED USE OR DISCLOSURE OF ANY OR PORTION THEREOF, IS STRICTLY PROHIBITED. THIS WORK IS THE EXCLUSIVE PROPERTY OF SONNY'S ENTERPRISES INC. ALL RIGHTS RESERVED.

**CWP-125\_FT-Generic**  
SCALE: 3/32"=1' LOCATION: FL

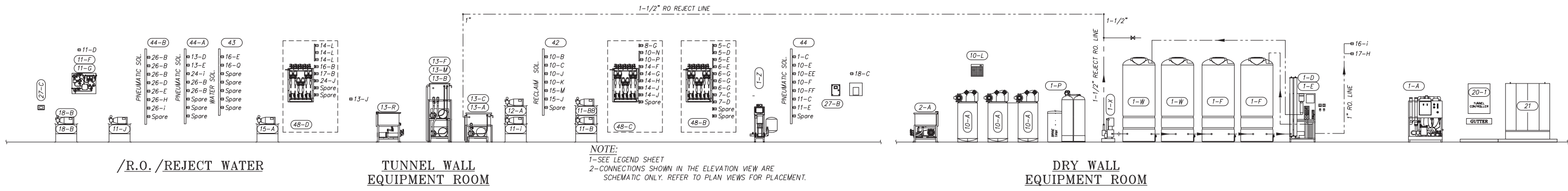
Sheet Rev.  
P.4 - + -

DATE:	11.06.17
REVISION DATE:	04.18.18
CREATED BY:	LV
REVISED BY:	FAO
CHECKED BY:	Luis V.

**SONNY'S**  
The CarWash Factory  
<http://www.SonnysDirect.com>

SOFT WATER; GC  
© 2018 SONNY'S ENTERPRISES, INC. 5605 Hiatus Road, Tamarac, FL. 33321 USA. TEL.800-327-8723





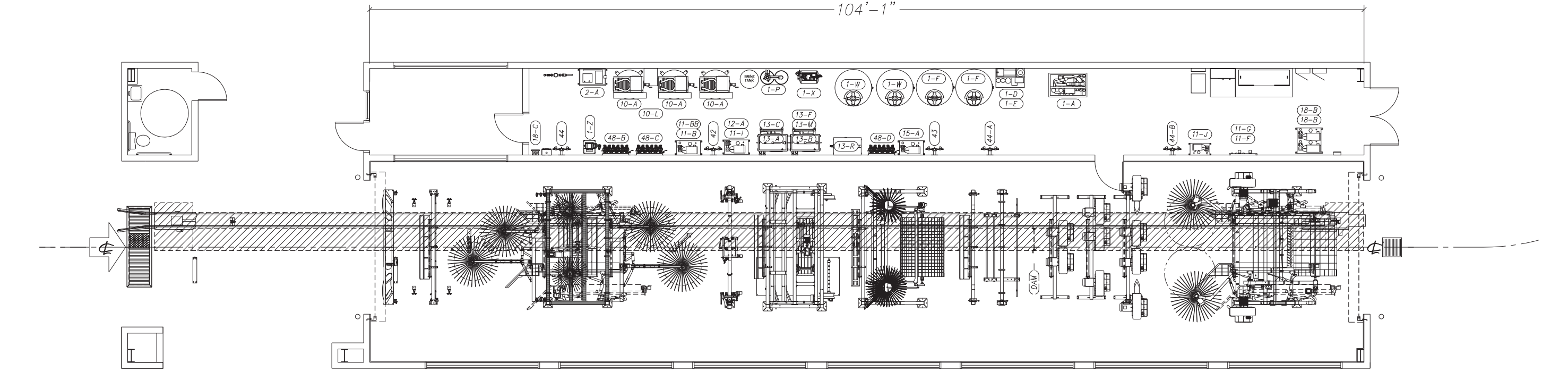
/R.O./REJECT WATER

TUNNEL WALL  
EQUIPMENT ROOM

NOTE:  
1-SEE LEGEND SHEET  
2-CONNECTIONS SHOWN IN THE ELEVATION VIEW ARE  
SCHEMATIC ONLY. REFER TO PLAN VIEWS FOR PLACEMENT.

DRY WALL  
EQUIPMENT ROOM

DATE:	11.06.17
REVISION DATE:	04.18.18
CREATED BY:	LV
REVISED BY:	FAO
CHECKED BY:	Luis V.



NOT FOR CONSTRUCTION UNTIL APPROVED BELOW.  
APPROVED BY. \_\_\_\_\_ DATE \_\_\_\_\_

**DISCLAIMER**  
ALTHOUGH BUILDING CODES HAVE BEEN CONSIDERED IN DEVELOPING THIS DRAWING, VERIFICATION OF SITE SPECIFIC CONDITIONS AND COMPLIANCE WITH FEDERAL, STATE AND LOCAL BUILDING CODES IS THE EXCLUSIVE RESPONSIBILITY OF THE CUSTOMER AND/OR ARCHITECT AND ENGINEER. THESE DRAWINGS REFLECT REQUIREMENTS FOR SONNY'S FURNISHED EQUIPMENT ONLY UNLESS OTHERWISE NOTED. PLEASE REFER TO OTHER MANUFACTURERS, IF ANY, FOR THEIR EQUIPMENT REQUIREMENTS.

**CONFIDENTIAL WARNING:**  
THIS SHEET CONTAINS AND CONSTITUTES CONFIDENTIAL INFORMATION, IMAGES AND TRADE SECRETS OF SONNY'S ENTERPRISES INC. ANY UNAUTHORIZED USE OR DISCLOSURE OF ANY OR PORTION THEREOF, IS STRICTLY PROHIBITED. THIS WORK IS THE EXCLUSIVE PROPERTY OF SONNY'S ENTERPRISES INC. ALL RIGHTS RESERVED.

CWP-125\_FT-Generic

SCALE: 3/32"=1' LOCATION: FL

Sheet	Rev.
P.6	- + -

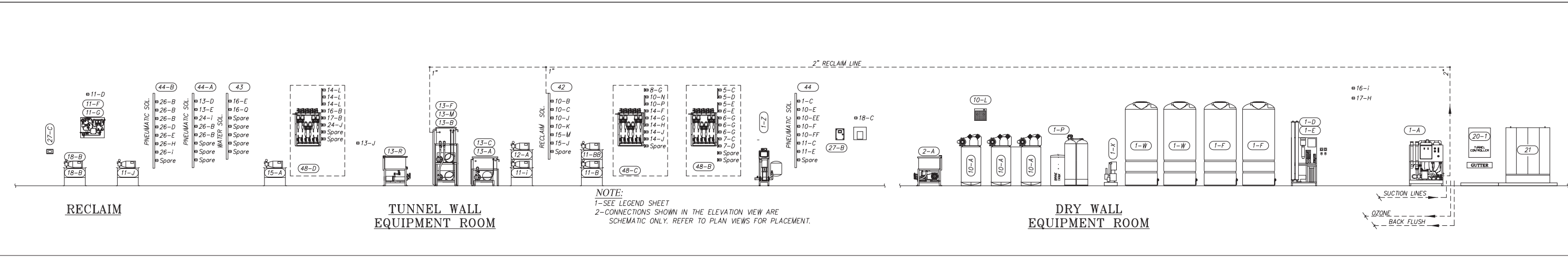


http://www.SonnysDirect.com

R.O. WATER; GC

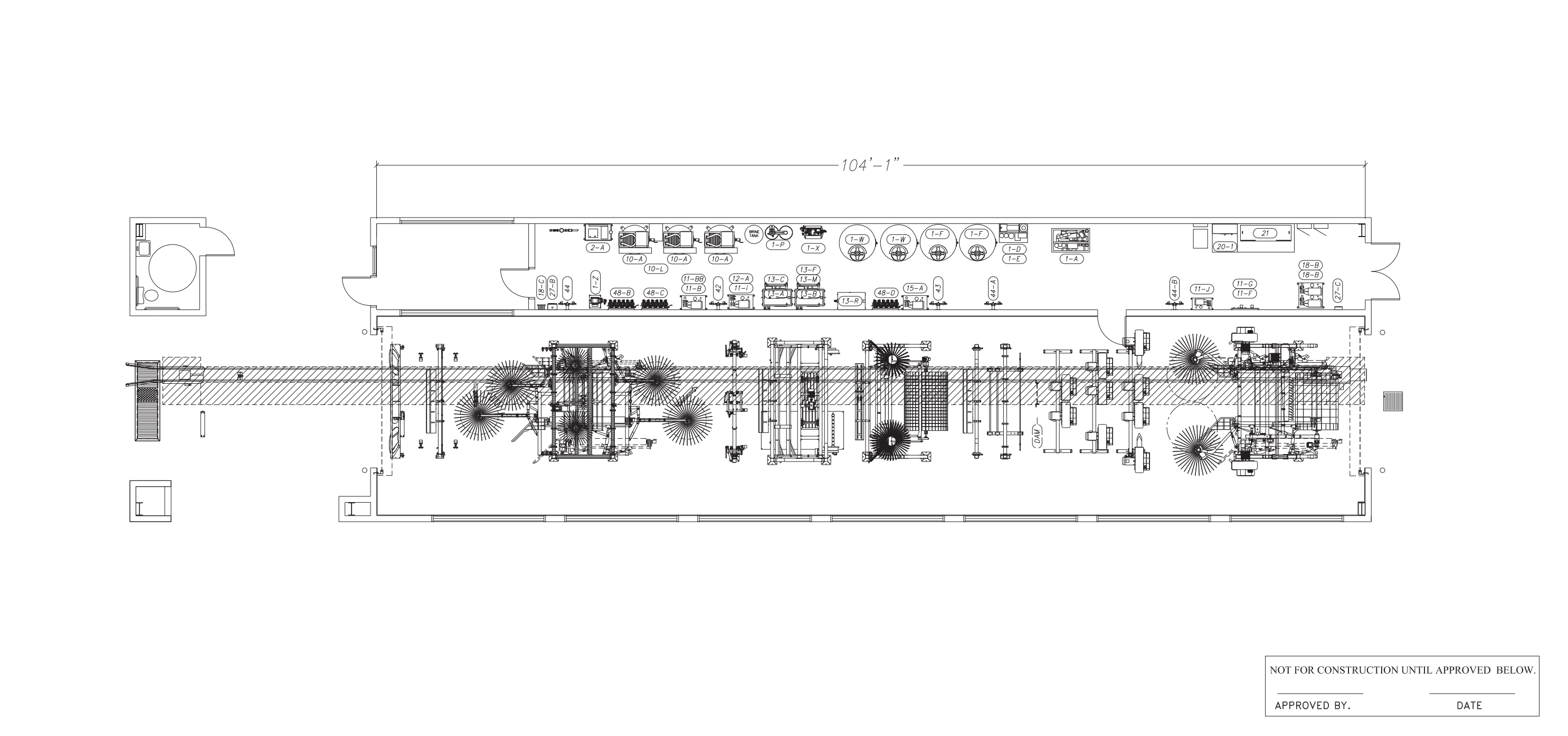
© 2018 SONNY'S ENTERPRISES, INC. 5605 Hiatus Road, Tamarac, FL. 33321 USA. TEL.800-327-8723





NOTE:  
 1-SEE LEGEND SHEET  
 2-CONNECTIONS SHOWN IN THE ELEVATION VIEW ARE SCHEMATIC ONLY. REFER TO PLAN VIEWS FOR PLACEMENT.

DATE:	11.06.17
REVISION DATE:	04.18.18
CREATED BY:	LV
REVISED BY:	FAO
CHECKED BY:	Luis V.



NOT FOR CONSTRUCTION UNTIL APPROVED BELOW.  
 \_\_\_\_\_  
 APPROVED BY. DATE

**DISCLAIMER**  
 ALTHOUGH BUILDING CODES HAVE BEEN CONSIDERED IN DEVELOPING THIS DRAWING, VERIFICATION OF SITE SPECIFIC CONDITIONS AND COMPLIANCE WITH FEDERAL, STATE AND LOCAL BUILDING CODES IS THE EXCLUSIVE RESPONSIBILITY OF THE CUSTOMER AND/OR ARCHITECT AND ENGINEER. THESE DRAWINGS REFLECT REQUIREMENTS FOR SONNY'S FURNISHED EQUIPMENT ONLY UNLESS OTHERWISE NOTED. PLEASE REFER TO OTHER MANUFACTURERS, IF ANY, FOR THEIR EQUIPMENT REQUIREMENTS.

**CONFIDENTIAL WARNING:**  
 THIS SHEET CONTAINS AND CONSTITUTES CONFIDENTIAL INFORMATION, IMAGES AND TRADE SECRETS OF SONNY'S ENTERPRISES INC. ANY UNAUTHORIZED USE OR DISCLOSURE OF ANY OR PORTION THEREOF, IS STRICTLY PROHIBITED. THIS WORK IS THE EXCLUSIVE PROPERTY OF SONNY'S ENTERPRISES INC. ALL RIGHTS RESERVED.

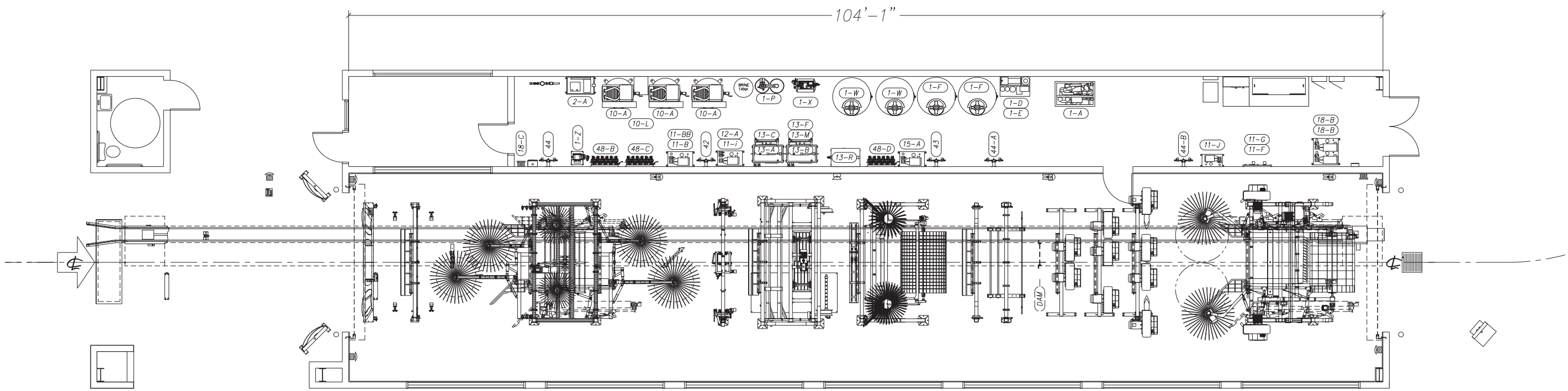
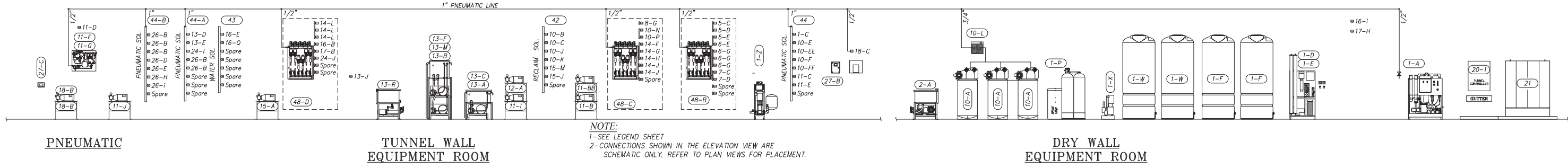
<b>CWP-125_FT-Generic</b>	
SCALE: 3/32"=1'	LOCATION: FL
Sheet	Rev.
P.7	- + -



http://www.SonnysDirect.com

RECLAIM WATER; GC  
 © 2018 SONNY'S ENTERPRISES, INC. 5605 Hiatus Road, Tamarac, FL. 33321 USA. TEL.800-327-8723





NOT FOR CONSTRUCTION UNTIL APPROVED BELOW.

APPROVED BY. \_\_\_\_\_ DATE \_\_\_\_\_

**DISCLAIMER**  
 ALTHOUGH BUILDING CODES HAVE BEEN CONSIDERED IN DEVELOPING THIS DRAWING, VERIFICATION OF SITE SPECIFIC CONDITIONS AND COMPLIANCE WITH FEDERAL, STATE AND LOCAL BUILDING CODES IS THE EXCLUSIVE RESPONSIBILITY OF THE CUSTOMER AND/OR ARCHITECT AND ENGINEER. THESE DRAWINGS REFLECT REQUIREMENTS FOR SONNY'S FURNISHED EQUIPMENT ONLY UNLESS OTHERWISE NOTED. PLEASE REFER TO OTHER MANUFACTURERS, IF ANY, FOR THEIR EQUIPMENT REQUIREMENTS.

**CONFIDENTIAL WARNING:**  
 THIS SHEET CONTAINS AND CONSTITUTES CONFIDENTIAL INFORMATION, IMAGES AND TRADE SECRETS OF SONNY'S ENTERPRISES INC. ANY UNAUTHORIZED USE OR DISCLOSURE OF ANY OR PORTION THEREOF, IS STRICTLY PROHIBITED. THIS WORK IS THE EXCLUSIVE PROPERTY OF SONNY'S ENTERPRISES INC. ALL RIGHTS RESERVED.

**CWP-125\_FT-Generic**  
 SCALE: 3/32"=1' LOCATION: FL

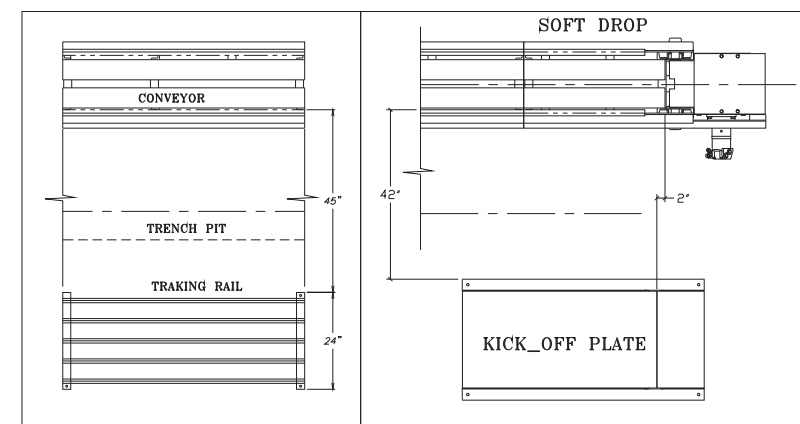
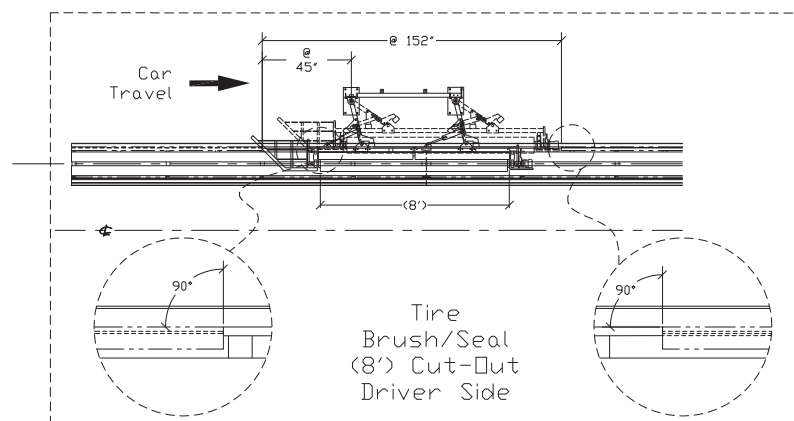
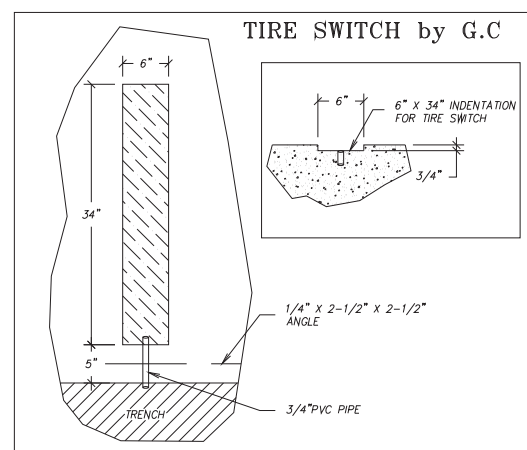
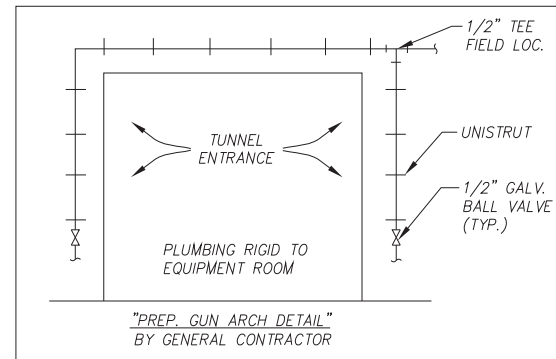
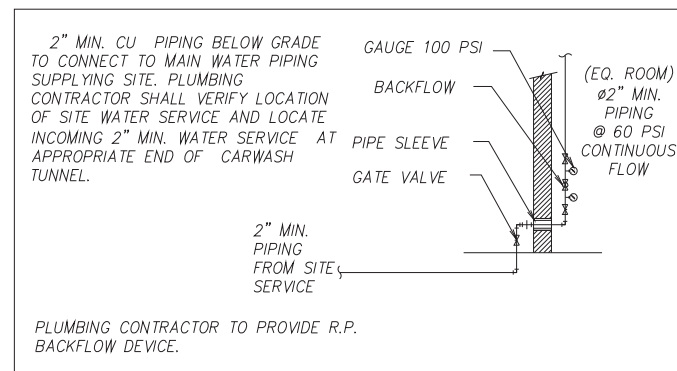
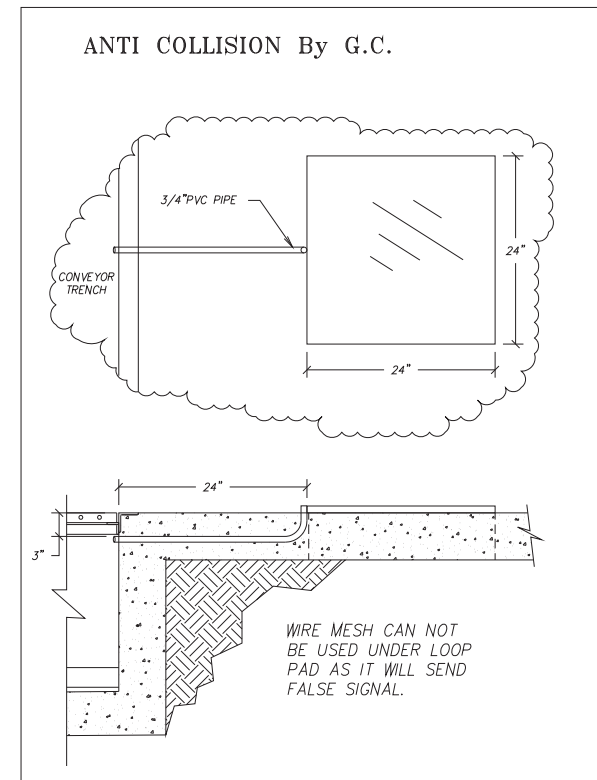
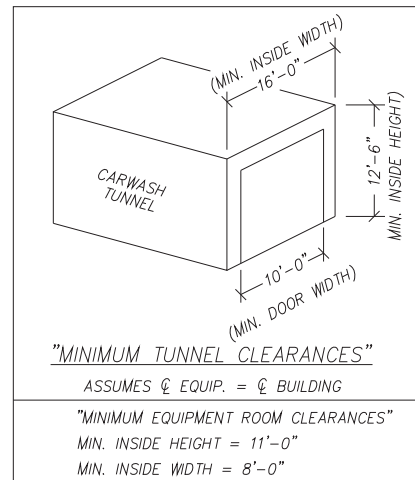
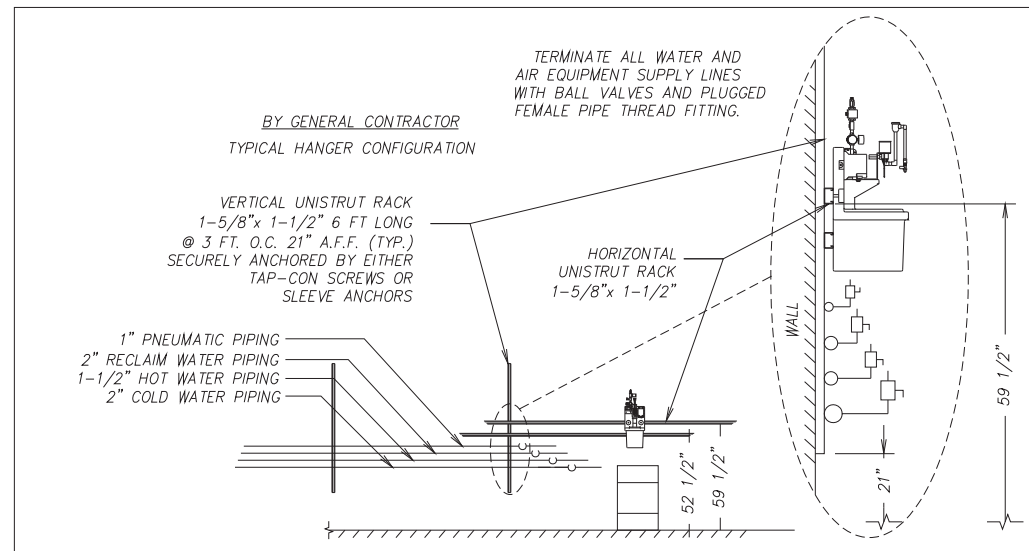
Sheet Rev.  
 P.8 - + -

DATE: 11.06.17  
 REVISION DATE: 04.18.18  
 CREATED BY: LV  
 REVISED BY: FAO  
 CHECKED BY: Luis V.



PNEUMATIC; GC

© 2018 SONNY'S ENTERPRISES, INC. 5605 Hiatus Road, Tamarac, FL. 33321 USA. TEL.800-327-8723



NOT FOR CONSTRUCTION UNTIL APPROVED BELOW.

APPROVED BY. \_\_\_\_\_ DATE \_\_\_\_\_

**DISCLAIMER**  
ALTHOUGH BUILDING CODES HAVE BEEN CONSIDERED IN DEVELOPING THIS DRAWING, VERIFICATION OF SITE SPECIFIC CONDITIONS AND COMPLIANCE WITH FEDERAL, STATE AND LOCAL BUILDING CODES IS THE EXCLUSIVE RESPONSIBILITY OF THE CUSTOMER AND/OR ARCHITECT AND ENGINEER. THESE DRAWINGS REFLECT REQUIREMENTS FOR SONNY'S FURNISHED EQUIPMENT ONLY UNLESS OTHERWISE NOTED. PLEASE REFER TO OTHER MANUFACTURERS, IF ANY, FOR THEIR EQUIPMENT REQUIREMENTS.

**CONFIDENTIAL WARNING:**  
THIS SHEET CONTAINS AND CONSTITUTES CONFIDENTIAL INFORMATION, IMAGES AND TRADE SECRETS OF SONNY'S ENTERPRISES INC. ANY UNAUTHORIZED USE OR DISCLOSURE OF ANY OR PORTION THEREOF, IS STRICTLY PROHIBITED. THIS WORK IS THE EXCLUSIVE PROPERTY OF SONNY'S ENTERPRISES INC. ALL RIGHTS RESERVED.

CWP-125\_FT-Generic

SCALE: N.T.S.

LOCATION: FL

Sheet Rev.  
P.10 - + -

LEGEND

**SONNY'S**  
The CarWash Factory

http://www.SonnysDirect.com

© 2018 SONNY'S ENTERPRISES, INC. 5605 Hiatus Road, Tamarac, FL. 33321 USA. TEL.800-327-8723

DATE: 11.06.17  
REVISION DATE: 04.18.18  
CREATED BY: LV  
REVISED BY: FAO  
CHECKED BY: Luis V.

GC= GENERAL CONTRACTOR  
SCW = SONNY'S (CARWASH INSTALLER)

10.21.15

## PLUMBING & MECHANICAL SPECIFICATIONS GENERAL CONTRACTOR

A. GENERAL PROVISIONS

1. THE WORK SHALL CONSIST OF FURNISHING LABOR, EQUIPMENT, AND MATERIALS TO PROVIDE THE COMPLETE INTEGRATED AND PROPER FUNCTIONING SYSTEMS AS SHOWN ON THE DRAWINGS.
2. SCOPE OF WORK INCLUDES, BUT IS NOT LIMITED TO, FURNISHING, INSTALLING AND TERMINATING PER THESE DRAWINGS, AND SONNY'S INSTALLATION MANUALS.
4. THE GENERAL CONTRACTOR SHALL COORDINATE HIS WORK WITH THAT OF OTHER TRADES SO AS TO AVOID INTERFERENCE.
5. THE DRAWINGS ARE DIAGRAMMATIC AND INDICATE GENERAL LAYOUT OF PLUMBING SYSTEMS. FIELD VERIFICATIONS OF DIMENSIONS IS DIRECTED.
6. SECURE PERMITS AND INSPECTIONS REQUIRED BY STATE AND LOCAL LAWS AND ORDINANCES.
8. UPON COMPLETION OF THE WORK, FURNISH TO THE OWNER CERTIFICATES OF FINAL INSPECTIONS AND APPROVALS FROM AUTHORITIES HAVING JURISDICTION.
9. ALL WORK SHALL BE GUARANTEED FOR A PERIOD OF ONE (1) YEAR FROM THE DATE OF FINAL ACCEPTANCE BY THE OWNER.

1.0 DESCRIPTION

- A. THE INTENT OF THE PLANS AND SPECIFICATIONS IS TO OBTAIN COMPLETE SYSTEMS TESTED, ADJUSTED AND READY FOR OPERATION.
- B. CHECK, VERIFY AND COORDINATE THE INSTALLATION WITH THE WORK OF OTHER TRADES. INCLUDE MODIFICATIONS, RELOCATIONS OR ADJUSTMENTS NECESSARY TO COMPLETE WORK OR TO AVOID INTERFERENCES.

1.1 RECORD DRAWINGS

MAINTAIN AND PROVIDE, ON REQUEST, COMPLETE UP-TO-DATE RECORD DRAWINGS.

1.2 GUARANTEE

GUARANTEE FOR ONE YEAR AFTER OWNER ACCEPTANCE ALL MATERIALS, EQUIPMENT AND WORKMANSHIP. REPAIR, REPLACE OR ALTER SYSTEMS FOUND DEFECTIVE. RESTORE WORK DISTURBED WHICH IS GUARANTEED UNDER CONTRACT.

1.3 CERTIFICATES AND INSPECTIONS

OBTAIN AND PAY FOR ALL REQUIRED INSTALLATION INSPECTIONS AND DELIVER CERTIFICATES APPROVING INSTALLATION TO THE OWNER.

1.4 UTILITY SERVICE

DETERMINE UTILITY REQUIREMENTS, INCLUDING TEMPORARY, AND INCLUDE ALL COSTS.

1.5 SHOP DRAWINGS

SUBMIT SHOP DRAWINGS FOR ALL EQUIPMENT AND SYSTEMS.

1.6 EQUIPMENT ACCESS

INSTALL ALL WORK TO PERMIT ACCESS TO EQUIPMENT FOR MAINTENANCE.

1.7 CUTTING AND PATCHING

ALL CUTTING AND PATCHING IS BY THIS CONTRACTOR INCLUDING NECESSARY MATERIALS REQUIRED, UNLESS OTHERWISE NOTED.

1.8 HOUSEKEEPING AND CLEANUP

PERIODICALLY REMOVE WASTE MATERIALS AND LEAVE AREAS OF WORK ROOM CLEAN.

2.0 PLUMBING SYSTEMS

2.1 PROHIBITED LOCATIONS

WATER CARRYING PIPE SHALL NOT BE INSTALLED OVER SWITCH GEAR OR ELECTRICAL EQUIPMENT.

2.2 PROTECTIVE CHASES

A. PIPE AND FITTINGS

1. ABOVE AND BELOW GRADE: SCHEDULE-40 PVC DWV CONFORMING TO ASTM D2665-82.

2.3 WATER DISTRIBUTION

A. PIPE AND FITTINGS

COPPER TUBE, TYPE-K, BELOW GROUND. TYPE-L, ABOVE GROUND, WROUGHT COPPER OR BRONZE SWEAT FITTINGS WITH LEAD FREE SOLDER.  
COPPER PIPING SHALL NOT COME IN CONTACT WITH CONCRETE. PROVIDE INSULATING MATERIAL BETWEEN THE PIPE AND CONCRETE AT ALL REQUIRED LOCATIONS.

B. VALVES

1. BALL VALVES TWO INCHES (2") AND SMALLER BY

MILWAUKEE (OR APPROVED EQUAL) MODEL #BA-150 RATED AT 150 SWP, 600 CWP. BODY OF ASTM B-584 BRONZE WITH CHROME PLATED ASTM B-16 BRASS BALL WITH GLASS REINFORCED PTFE SEATS AND STERN SEAL. FULL PORT FLOW AND ADJUSTABLE PACKING NUT.

2. GATE VALVES TWO INCHES (2") AND SMALLER: NRS, MSS

SP-80: CLASS 125 (125 SWP/200 CWP). BODY BONNET AND STEM OF ASTM B-62 BRONZE, THREADED ENDS TO ANSI B1.20.1, SOLDER ENDS TO ANSI B16.18, SOLID WEDGE DISC, GLAND PACKED WITH NON-ASBESTOS PACKING AND MALLEABLE IRON HANDWHEEL.

3. GATE VALVES TWO AND ONE-HALF INCHES (2-1/2") AND

LARGER: NRS, MSS SP-70; CLASS 125 (125 SWP/200 CWP). BODY AND BONNET OF ASTM A126 CLASS B CAST IRON, ASTM B-16 BRASS STERN AND ASTM B-62 BRONZE SEAT AND DISC FACE. FLANGED ENDS TO ANSI B16.1. NON-ASBESTOS PACKING.

C. DISSIMILAR METALS

INSTALL APPROVED DIELECTRIC UNIONS BETWEEN ALL CONNECTIONS OF DISSIMILAR METALS.

2.4 CAR WASH CHASE WAY, DRAINS AND SUPPLY LINES

A. RECLAMATION DRAINAGE PIPE, SECTION LINES AND OZONE TREATMENT LINES AND FITTINGS.

1. (IF PERMITTED BY LOCAL OR APPLICABLE CODES) ALL RECLAIM DRAINAGE LINES, SUCTION LINES, OZONE TREATMENT LINES AND RELATED FITTINGS SHALL BE SCHEDULE-80 POLYVINYL CHLORIDE (PVC) PIPING CONFORMING TO ASTM D-1785-83.
2. MECHANICAL ENGINEER TO VERIFY LOCAL OR APPLICABLE CODES AND SPECIFY ALTERNATE MATERIAL IF PVC IS NOT PERMITTED.

2.5 PNEUMATIC LINES

A. PNEUMATIC SUPPLY LINES

1. ALL PNEUMATIC SUPPLY LINES SHALL BE TYPE-K COPPER TUBE WITH WROUGHT COPPER OR BRONZE SWEAT FITTINGS ABOVE GRADE. NO FITTINGS SHALL BE ALLOWED BELOW GRADE.
2. ALL PNEUMATIC SUPPLY LINES BELOW GRADE SHALL BE ENCASED IN SCHEDULE-40 CHASEWAYS.

2.6 HYDRAULIC HOSE

A. PIPE AND FITTINGS

1. ALL HYDRAULIC HOSE SHALL BE SAE-100R7 BY SYNIFLEX (OR APPROVED EQUAL) WITH 2,000 PSI WORKING PRESSURE; 10,000 PSI BURST PRESSURE.
2. ALL HYDRAULIC SUPPLY LINES BELOW GRADE SHALL BE ENCASED IN SCHEDULE-40 PVC CHASEWAYS.

2.7 PRESSURE TEST

LEAVE UNCOVERED AND UNCONCEALED ALL WATER DISTRIBUTION PIPING UNTIL IT HAS TESTED AND APPROVED. EXPOSE ALL SUCH WORK FOR TESTING THAT HAS BEEN COVERED OR CONCEALED BEFORE IT HAS BEEN TESTED AND APPROVED.

CAP AND SUBJECT THE PIPING SYSTEM TO A STATIC WATER PRESSURE OF 150 PSIG WITHOUT EXCEEDING THE PRESSURE RATING OF THE PIPING SYSTEM MATERIALS. ISOLATE THE TEST SOURCE AND ALLOW TO STAND FOR A PERIOD OF FOUR HOURS. LEAKS AND LOSS IN TEST PRESSURE CONSTITUTE DEFECTS WHICH MUST BE REPAIRED. REPAIR ALL LEAKS AND DEFECTS USING NEW MATERIAL AND RETEST SYSTEM OR PORTION THEREOF UNTIL SATISFACTORY RESULTS ARE OBTAINED.

TESTING REQUIREMENTS ARE MINIMUM AND ARE NOT INTENDED TO BE LIMITING WHERE ADDITIONAL TESTING METHODS ARE REQUIRED BY THE AUTHORITY HAVING JURISDICTION.

2.8 WATER HEATING

A. SONNY'S PROVIDED EQUIPMENT

GENERAL CONTRACTOR OR HIS DESIGNATED SUBCONTRACTOR SHALL OBTAIN A BILL OF MATERIALS FROM SONNY'S FOR EQUIPMENT BEING SUPPLIED BY SONNY'S.

B. INSTALLATION & CONNECTIONS

GENERAL CONTRACTOR OR HIS DESIGNATED SUBCONTRACTOR SHALL INSTALL ALL TUBING, MANIFOLDS, VALVES, VALVES BOXES, HEATERS, BOILERS, STORAGE TANKS, PUMPS, AND RELATED EQUIPMENT FURNISHED BY SONNY'S. ALSO, G.C. SHALL PROVIDE AND INSTALL, AS NECESSARY, ALL GAS SUPPLY PIPING AND CONNECTIONS, VENTING AND ANY INTERCONNECTING PIPING FROM MANIFOLDS, BOXES, PUMP, HEATERS OR RELATED EQUIPMENT W/SUITABLE SPEC. MATERIALS.

NOT FOR CONSTRUCTION UNTIL APPROVED BELOW.

APPROVED BY. \_\_\_\_\_

DATE \_\_\_\_\_

**DISCLAIMER**

ALTHOUGH BUILDING CODES HAVE BEEN CONSIDERED IN DEVELOPING THIS DRAWING, VERIFICATION OF SITE SPECIFIC CONDITIONS AND COMPLIANCE WITH FEDERAL, STATE AND LOCAL BUILDING CODES IS THE EXCLUSIVE RESPONSIBILITY OF THE CUSTOMER AND/OR ARCHITECT AND ENGINEER. THESE DRAWINGS REFLECT REQUIREMENTS FOR SONNY'S FURNISHED EQUIPMENT ONLY UNLESS OTHERWISE NOTED. PLEASE REFER TO OTHER MANUFACTURERS, IF ANY, FOR THEIR EQUIPMENT REQUIREMENTS.

**CONFIDENTIAL WARNING:**

THIS SHEET CONTAINS AND CONSTITUTES CONFIDENTIAL INFORMATION, IMAGES AND TRADE SECRETS OF SONNY'S ENTERPRISES INC. ANY UNAUTHORIZED USE OR DISCLOSURE OF ANY OR PORTION THEREOF, IS STRICTLY PROHIBITED. THIS WORK IS THE EXCLUSIVE PROPERTY OF SONNY'S ENTERPRISES INC. ALL RIGHTS RESERVED.

CWP-125\_FT-Generic

SCALE: N.T.S.

LOCATION: FL

Sheet Rev.

P.11 - + -

DIVISION OF WORK  
PLUMBING



http://www.SonnysDirect.com

© 2018 SONNY'S ENTERPRISES, INC. 5605 Hiatus Road, Tamarac, FL. 33521 USA. TEL.800-327-8723

DATE:	11.06.17	REVISION DATE:	04.18.18
CREATED BY:	LV	REVISED BY:	FAO
CHECKED BY:	Luis V.		





DATE:	11.06.17
REVISION DATE:	04.18.18
CREATED BY:	LV
REVISED BY:	FAO
CHECKED BY:	Luis V.

**SONNY'S**  
The CarWash Factory

<http://www.SonnysDirect.com>

RENDERED VACUUM LAYOUT  
 © 2018 SONNY'S ENTERPRISES, INC. 5605 Hiatus Road, Tamarac, FL. 33321 USA. TEL. 800-327-8723

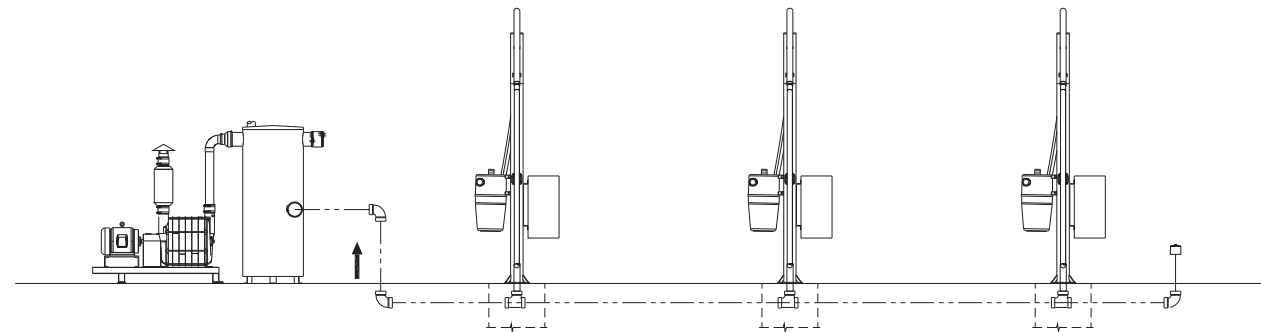


**DISCLAIMER**  
ALTHOUGH BUILDING CODES HAVE BEEN CONSIDERED IN DEVELOPING THIS DRAWING, VERIFICATION OF SITE SPECIFIC CONDITIONS AND COMPLIANCE WITH FEDERAL, STATE AND LOCAL BUILDING CODES IS THE EXCLUSIVE RESPONSIBILITY OF THE CUSTOMER AND/OR ARCHITECT AND ENGINEER. THESE DRAWINGS REFLECT REQUIREMENTS FOR SONNY'S FURNISHED EQUIPMENT ONLY UNLESS OTHERWISE NOTED. PLEASE REFER TO OTHER MANUFACTURERS, IF ANY, FOR THEIR EQUIPMENT REQUIREMENTS.

**CONFIDENTIAL WARNING:**  
THIS SHEET CONTAINS AND CONSTITUTES CONFIDENTIAL INFORMATION, IMAGES AND TRADE SECRETS OF SONNY'S ENTERPRISES INC. ANY UNAUTHORIZED USE OR DISCLOSURE OF ANY OR PORTION THEREOF, IS STRICTLY PROHIBITED. THIS WORK IS THE EXCLUSIVE PROPERTY OF SONNY'S ENTERPRISES INC. ALL RIGHTS RESERVED.

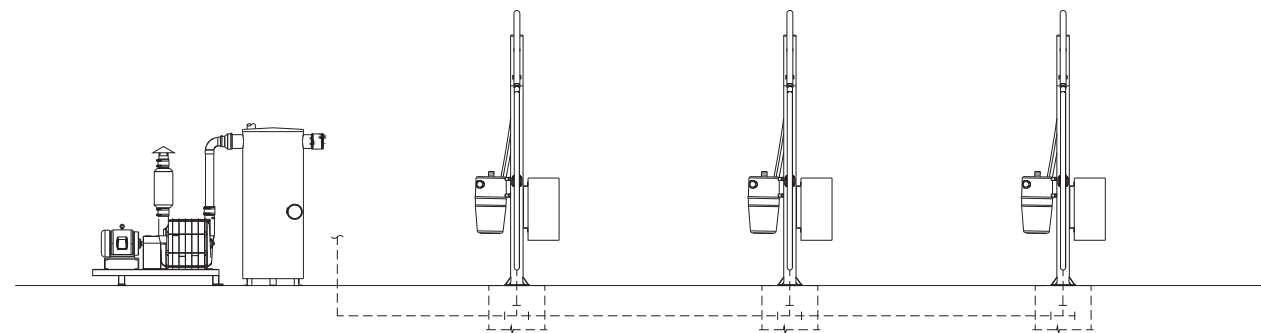
<b>CWP-125_FT-Generic</b>		Sheet	Rev.
SCALE: N.T.S.      LOCATION: FL		V.0	+-





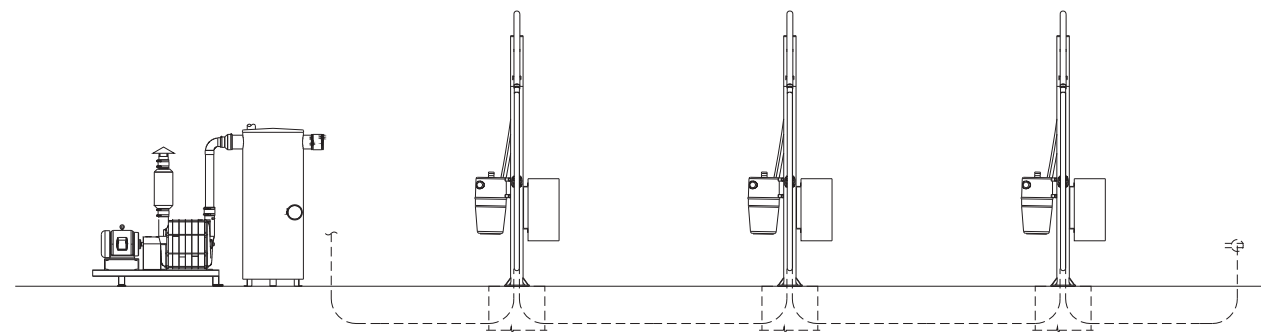
**VACUUM LINE**

*NOTE: CONNECTIONS SHOWN IN THE ELEVATION VIEW ARE SCHEMATIC ONLY. REFER TO PLAN VIEWS FOR PLACEMENT.*



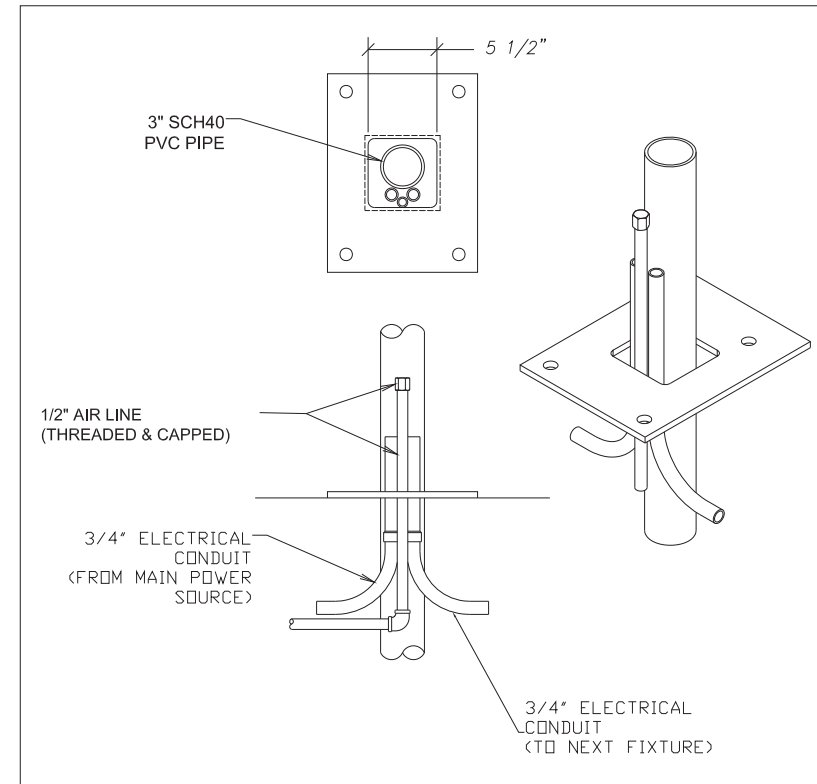
**AIR LINE (1" GALV. PIPE)**

*NOTE: CONNECTIONS SHOWN IN THE ELEVATION VIEW ARE SCHEMATIC ONLY. REFER TO PLAN VIEWS FOR PLACEMENT.*



**ELECTRIC LINE (3/4" CONDUIT)**

*NOTE: CONNECTIONS SHOWN IN THE ELEVATION VIEW ARE SCHEMATIC ONLY. REFER TO PLAN VIEWS FOR PLACEMENT.*



NOT FOR CONSTRUCTION UNTIL APPROVED BELOW.  
 \_\_\_\_\_  
 APPROVED BY. DATE

**DISCLAIMER**  
 ALTHOUGH BUILDING CODES HAVE BEEN CONSIDERED IN DEVELOPING THIS DRAWING, VERIFICATION OF SITE SPECIFIC CONDITIONS AND COMPLIANCE WITH FEDERAL, STATE AND LOCAL BUILDING CODES IS THE EXCLUSIVE RESPONSIBILITY OF THE CUSTOMER AND/OR ARCHITECT AND ENGINEER. THESE DRAWINGS REFLECT REQUIREMENTS FOR SONNY'S FURNISHED EQUIPMENT ONLY UNLESS OTHERWISE NOTED. PLEASE REFER TO OTHER MANUFACTURERS, IF ANY, FOR THEIR EQUIPMENT REQUIREMENTS.

**CONFIDENTIAL WARNING:**  
 THIS SHEET CONTAINS AND CONSTITUTES CONFIDENTIAL INFORMATION, IMAGES AND TRADE SECRETS OF SONNY'S ENTERPRISES INC. ANY UNAUTHORIZED USE OR DISCLOSURE OF ANY OR PORTION THEREOF, IS STRICTLY PROHIBITED. THIS WORK IS THE EXCLUSIVE PROPERTY OF SONNY'S ENTERPRISES INC. ALL RIGHTS RESERVED.

**CWP-125\_FT-Generic**

SCALE: N.T.S.

LOCATION: FL

Sheet	Rev.
V.1	- + -

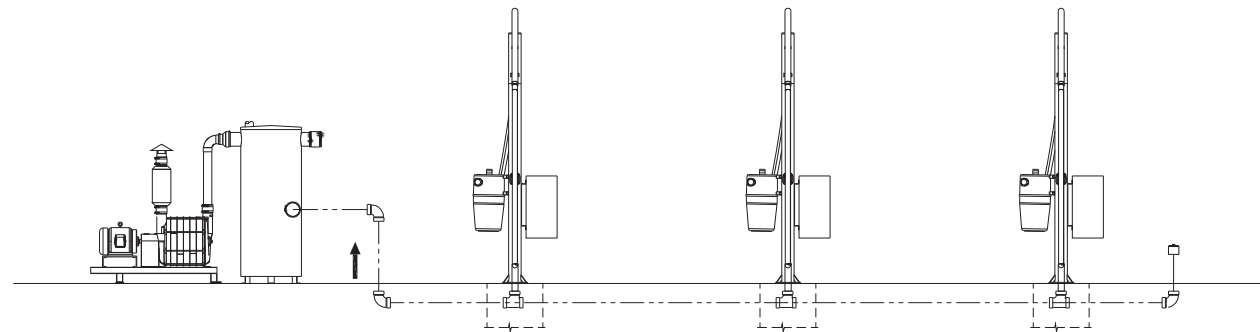
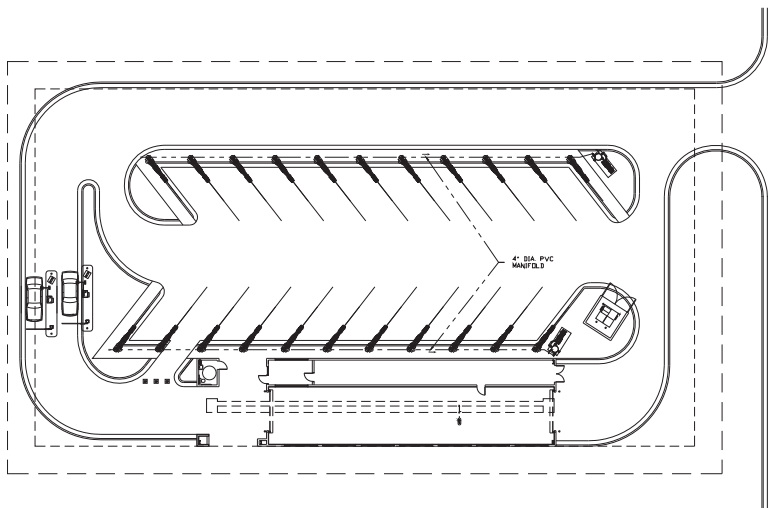
VACUUM LAYOUT



http://www.SonnysDirect.com

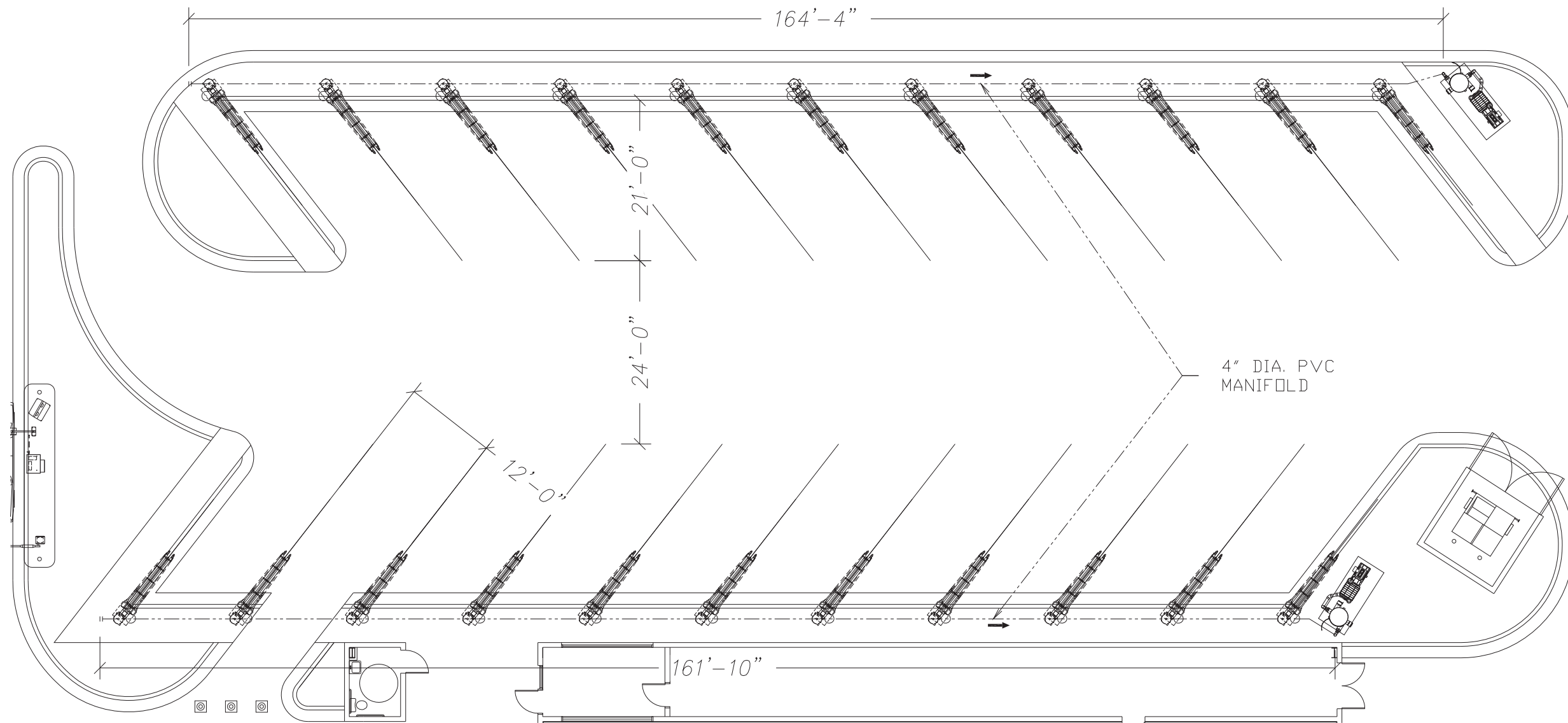
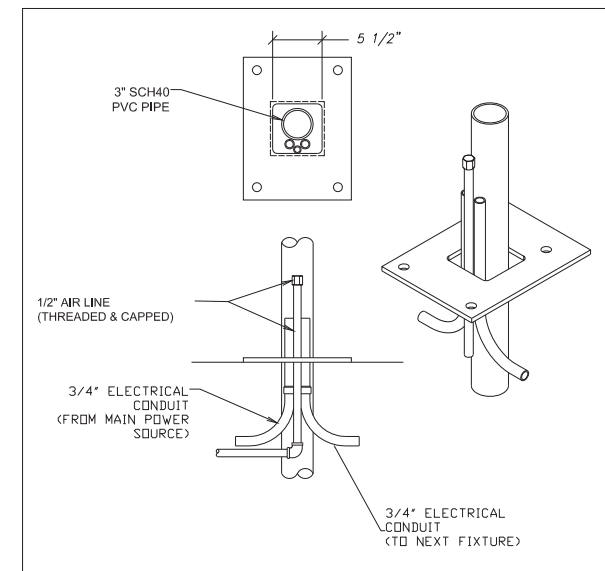
© 2018 SONNY'S ENTERPRISES, INC. 5605 Hiatus Road, Tamarac, FL. 33321 USA. TEL. 800-327-8723

DATE:	11.06.17
REVISION DATE:	04.18.18
CREATED BY:	LV
REVISED BY:	FAO
CHECKED BY:	Luis V.



VACUUM LINE

NOTE: CONNECTIONS SHOWN IN THE ELEVATION VIEW ARE SCHEMATIC ONLY. REFER TO PLAN VIEWS FOR PLACEMENT.



NOT FOR CONSTRUCTION UNTIL APPROVED BELOW.

APPROVED BY: \_\_\_\_\_ DATE: \_\_\_\_\_

Sheet Rev.

V.2 - + -

**DISCLAIMER**  
ALTHOUGH BUILDING CODES HAVE BEEN CONSIDERED IN DEVELOPING THIS DRAWING, VERIFICATION OF SITE SPECIFIC CONDITIONS AND COMPLIANCE WITH FEDERAL, STATE AND LOCAL BUILDING CODES IS THE EXCLUSIVE RESPONSIBILITY OF THE CUSTOMER AND/OR ARCHITECT AND ENGINEER. THESE DRAWINGS REFLECT REQUIREMENTS FOR SONNY'S FURNISHED EQUIPMENT ONLY UNLESS OTHERWISE NOTED. PLEASE REFER TO OTHER MANUFACTURERS, IF ANY, FOR THEIR EQUIPMENT REQUIREMENTS.

**CONFIDENTIAL WARNING:**  
THIS SHEET CONTAINS AND CONSTITUTES CONFIDENTIAL INFORMATION, IMAGES AND TRADE SECRETS OF SONNY'S ENTERPRISES INC. ANY UNAUTHORIZED USE OR DISCLOSURE OF ANY OR PORTION THEREOF, IS STRICTLY PROHIBITED. THIS WORK IS THE EXCLUSIVE PROPERTY OF SONNY'S ENTERPRISES INC. ALL RIGHTS RESERVED.

CWP-125\_FT-Generic

SCALE: 1/16"=1'

LOCATION: FL

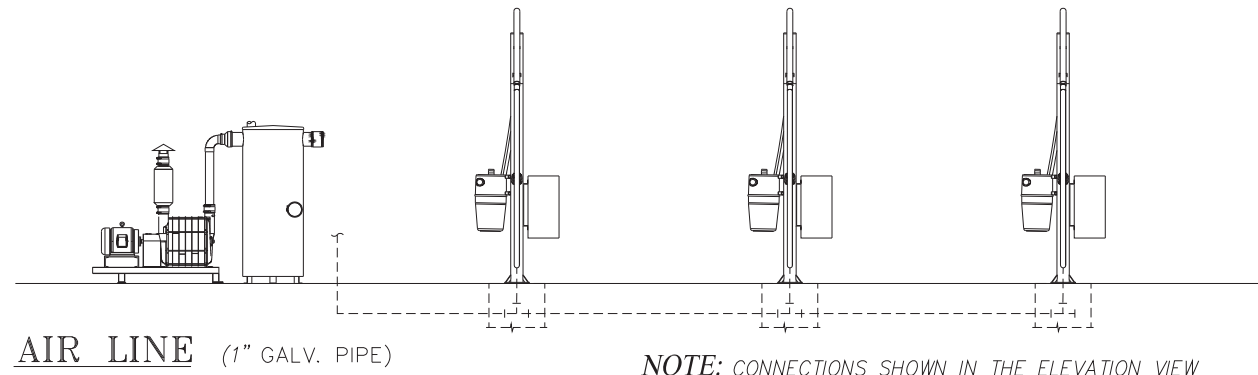
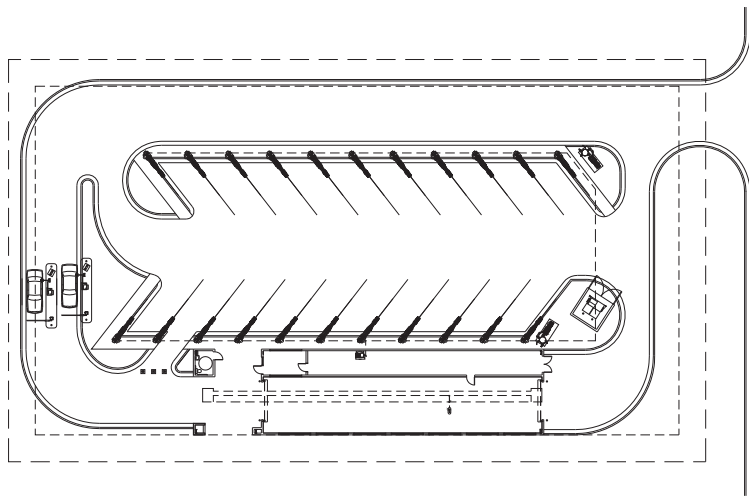
VACUUM LAYOUT

**SONNY'S**  
The CarWash Factory

© 2018 SONNY'S ENTERPRISES, INC. 5605 Hiatus Road, Tamarac, FL. 33521 USA. TEL. 800-327-8723

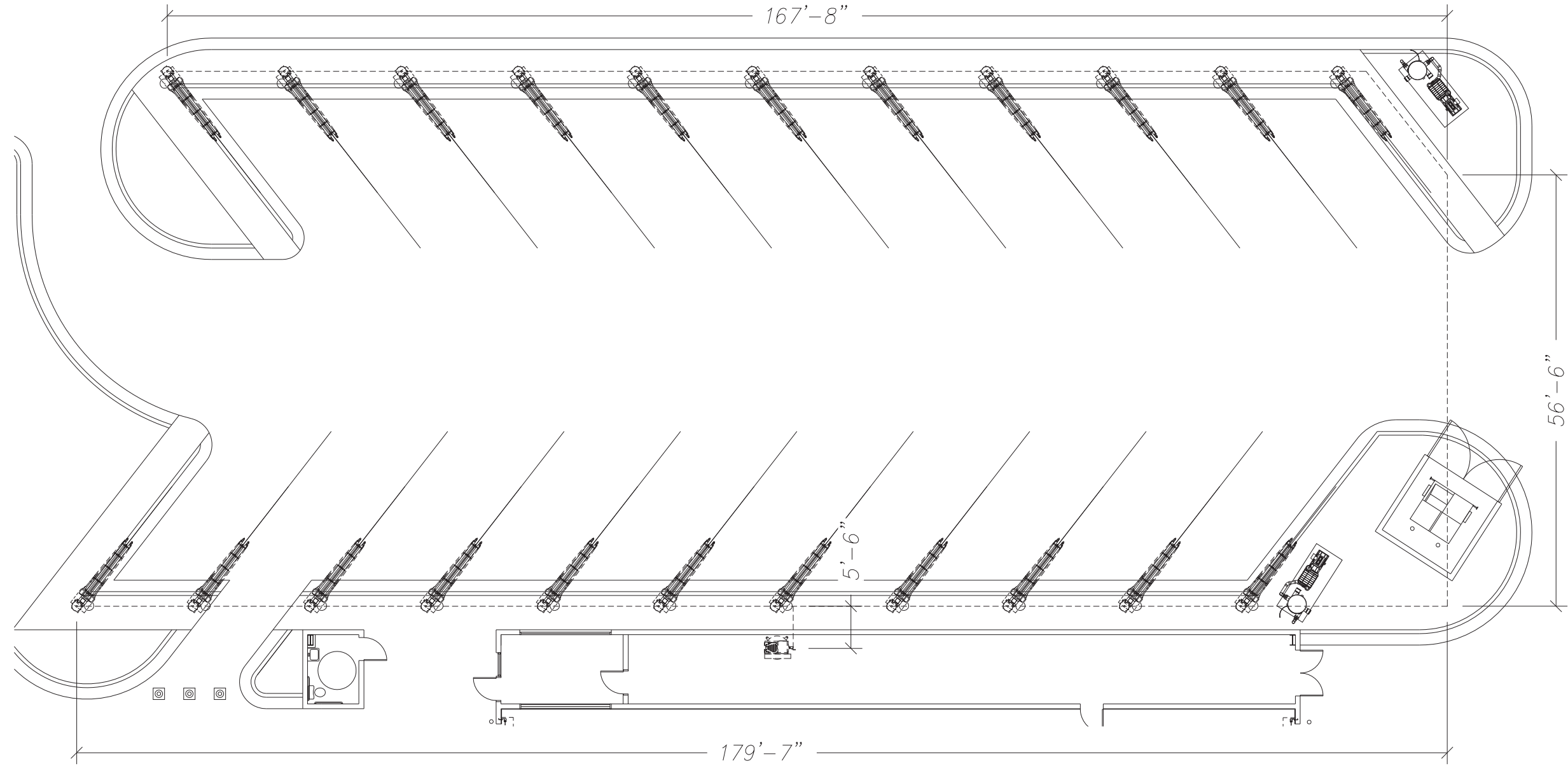
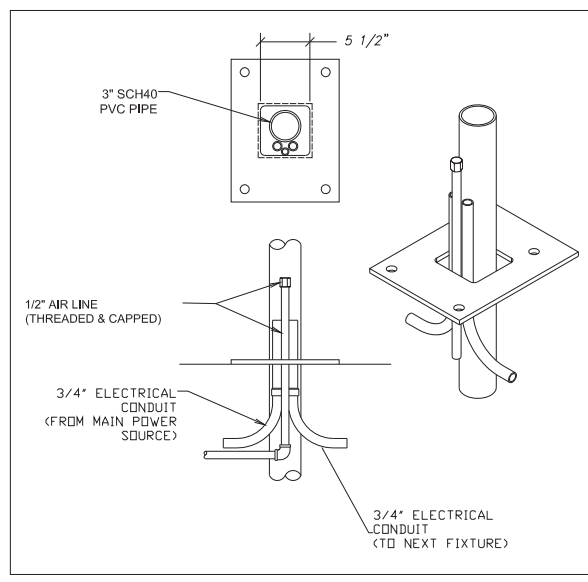
http://www.SonnysDirect.com

DATE: 11.06.17  
REVISION DATE: 04.18.18  
CREATED BY: LV  
REVISED BY: FAO  
CHECKED BY: Luis V.



**AIR LINE** (1" GALV. PIPE)

**NOTE:** CONNECTIONS SHOWN IN THE ELEVATION VIEW ARE SCHEMATIC ONLY. REFER TO PLAN VIEWS FOR PLACEMENT.



**DISCLAIMER**  
 ALTHOUGH BUILDING CODES HAVE BEEN CONSIDERED IN DEVELOPING THIS DRAWING, VERIFICATION OF SITE SPECIFIC CONDITIONS AND COMPLIANCE WITH FEDERAL, STATE AND LOCAL BUILDING CODES IS THE EXCLUSIVE RESPONSIBILITY OF THE CUSTOMER AND/OR ARCHITECT AND ENGINEER. THESE DRAWINGS REFLECT REQUIREMENTS FOR SONNY'S FURNISHED EQUIPMENT ONLY UNLESS OTHERWISE NOTED. PLEASE REFER TO OTHER MANUFACTURERS, IF ANY, FOR THEIR EQUIPMENT REQUIREMENTS.

**CONFIDENTIAL WARNING:**  
 THIS SHEET CONTAINS AND CONSTITUTES CONFIDENTIAL INFORMATION, IMAGES AND TRADE SECRETS OF SONNY'S ENTERPRISES INC. ANY UNAUTHORIZED USE OR DISCLOSURE OF ANY OR PORTION THEREOF, IS STRICTLY PROHIBITED. THIS WORK IS THE EXCLUSIVE PROPERTY OF SONNY'S ENTERPRISES INC. ALL RIGHTS RESERVED.

**CWP-125\_FT-Generic**  
 SCALE: 1/16"=1' LOCATION: FL

Sheet	Rev.
V.3	+-

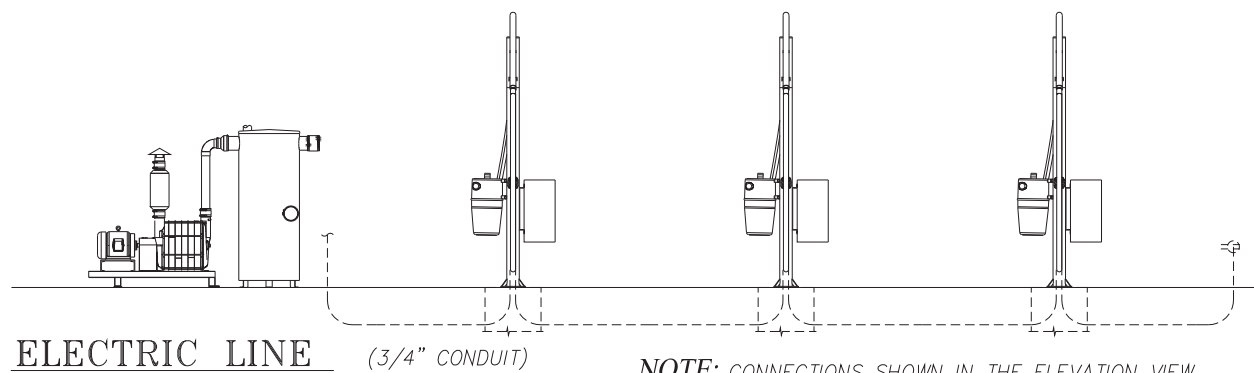
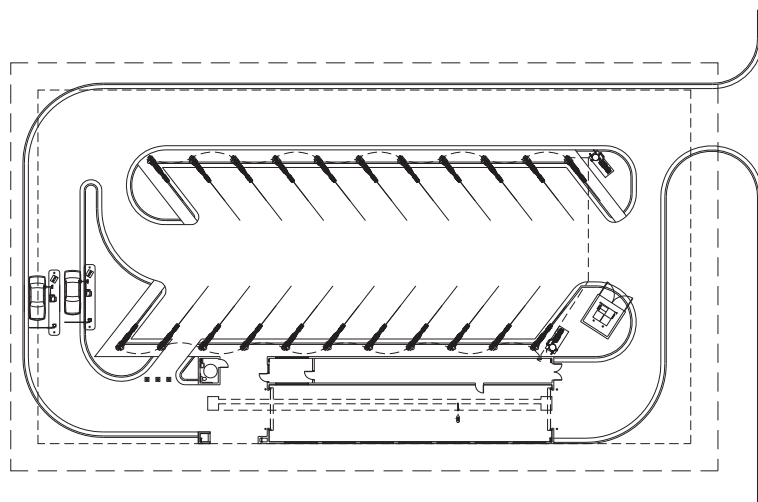
NOT FOR CONSTRUCTION UNTIL APPROVED BELOW.  
 APPROVED BY: \_\_\_\_\_ DATE \_\_\_\_\_

**SONNY'S**  
 The CarWash Factory  
<http://www.SonnysDirect.com>

VACUUM LAYOUT

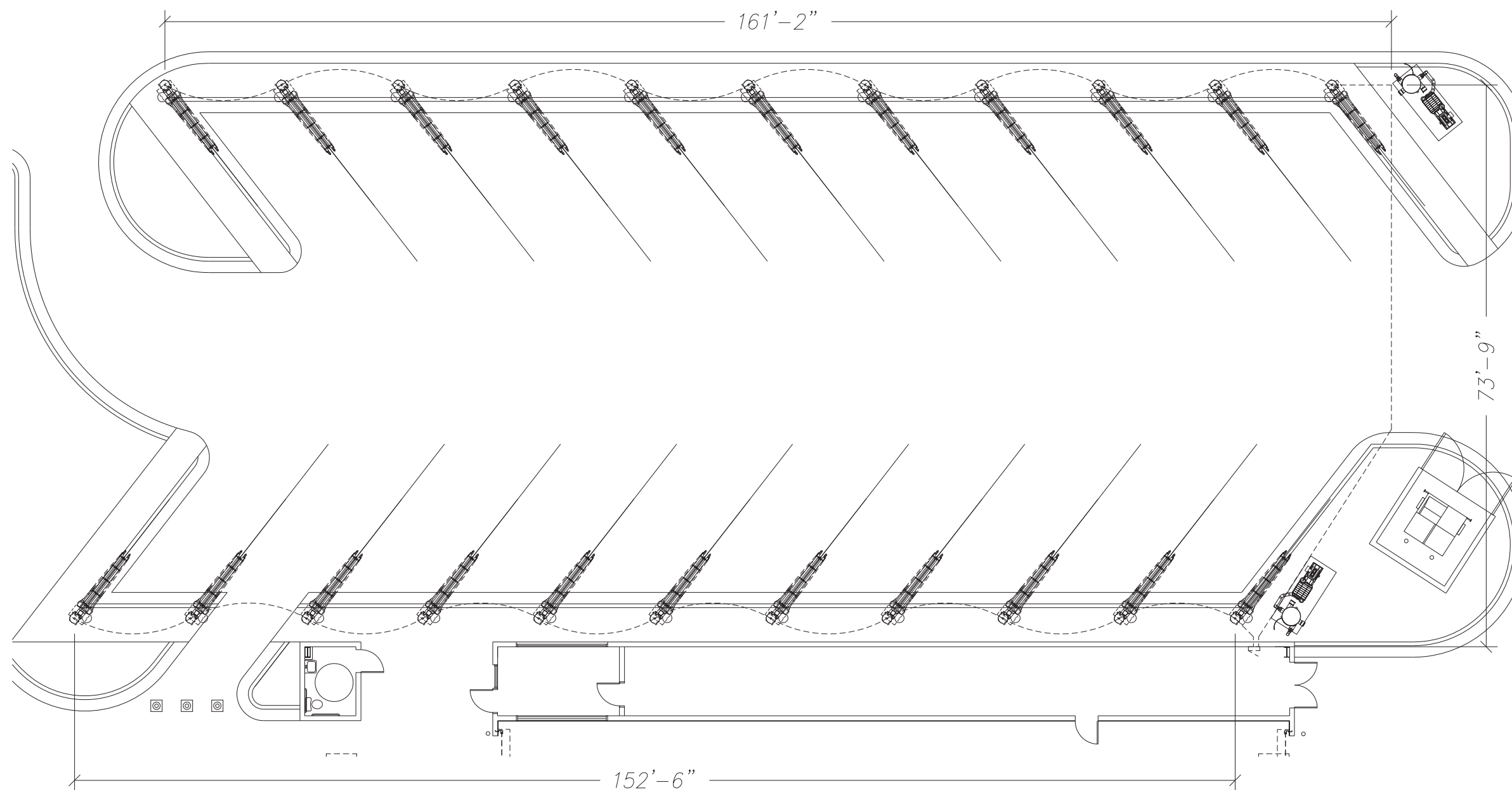
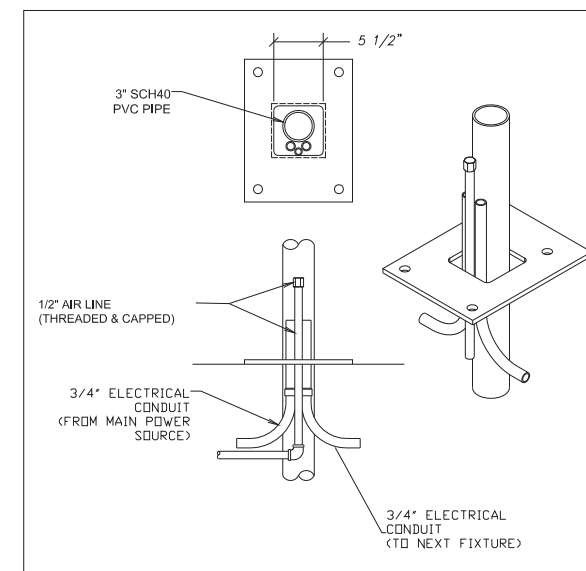
DATE: 11.06.17  
 REVISION DATE: 04.18.18  
 CREATED BY: LV  
 REVISED BY: FAO  
 CHECKED BY: Luis V.

© 2018 SONNY'S ENTERPRISES, INC. 5605 Hiatus Road, Tamarac, FL 33321 USA. TEL. 800-327-8723



**ELECTRIC LINE** (3/4" CONDUIT)

**NOTE:** CONNECTIONS SHOWN IN THE ELEVATION VIEW ARE SCHEMATIC ONLY. REFER TO PLAN VIEWS FOR PLACEMENT.



NOT FOR CONSTRUCTION UNTIL APPROVED BELOW.

APPROVED BY: \_\_\_\_\_ DATE: \_\_\_\_\_

**DISCLAIMER**  
ALTHOUGH BUILDING CODES HAVE BEEN CONSIDERED IN DEVELOPING THIS DRAWING, VERIFICATION OF SITE SPECIFIC CONDITIONS AND COMPLIANCE WITH FEDERAL, STATE AND LOCAL BUILDING CODES IS THE EXCLUSIVE RESPONSIBILITY OF THE CUSTOMER AND/OR ARCHITECT AND ENGINEER. THESE DRAWINGS REFLECT REQUIREMENTS FOR SONNY'S FURNISHED EQUIPMENT ONLY UNLESS OTHERWISE NOTED. PLEASE REFER TO OTHER MANUFACTURERS, IF ANY, FOR THEIR EQUIPMENT REQUIREMENTS.

**CONFIDENTIAL WARNING:**  
THIS SHEET CONTAINS AND CONSTITUTES CONFIDENTIAL INFORMATION, IMAGES AND TRADE SECRETS OF SONNY'S ENTERPRISES INC. ANY UNAUTHORIZED USE OR DISCLOSURE OF ANY OR PORTION THEREOF, IS STRICTLY PROHIBITED. THIS WORK IS THE EXCLUSIVE PROPERTY OF SONNY'S ENTERPRISES INC. ALL RIGHTS RESERVED.

**CWP-125\_FT-Generic**

SCALE: 1/16"=1'

LOCATION: FL

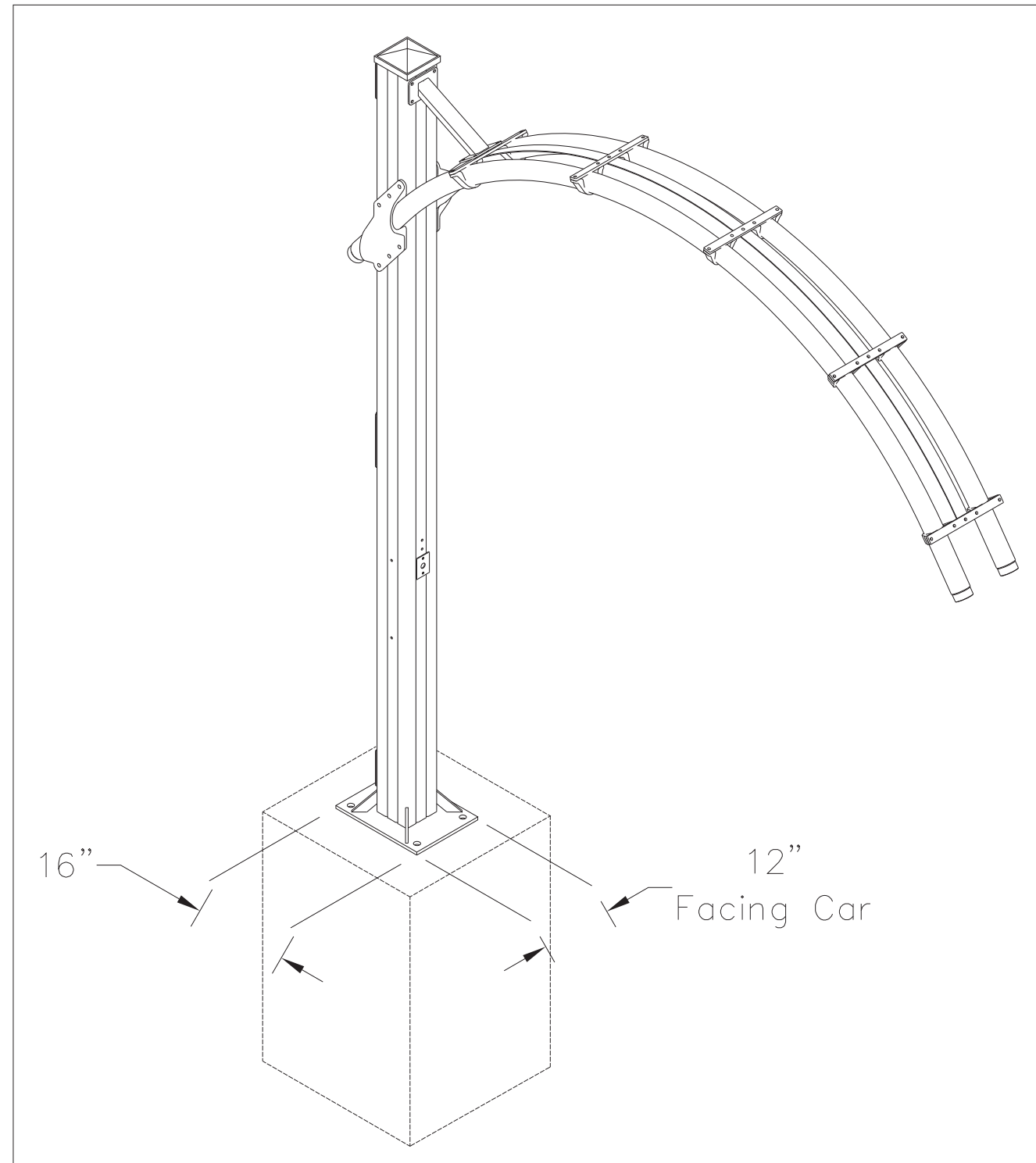
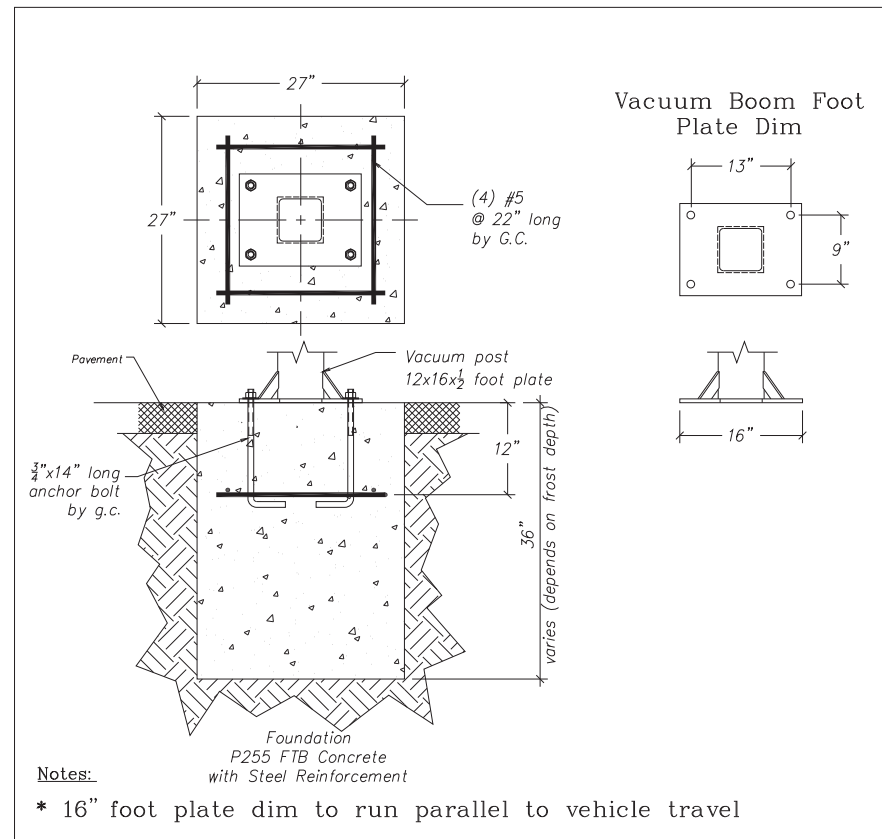
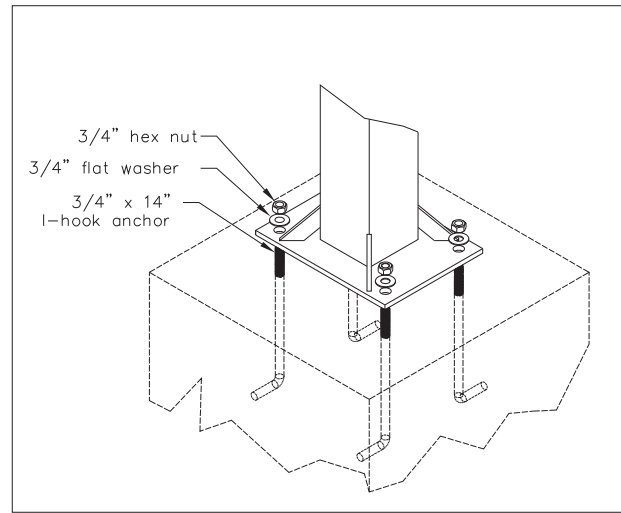
Sheet	Rev.
V.4	+-

**VACUUM LAYOUT**



DATE:	11.06.17
REVISION DATE:	04.18.18
CREATED BY:	LV
REVISED BY:	FAO
CHECKED BY:	Luis V.





NOT FOR CONSTRUCTION UNTIL APPROVED BELOW.

APPROVED BY: \_\_\_\_\_ DATE: \_\_\_\_\_

**DISCLAIMER**  
ALTHOUGH BUILDING CODES HAVE BEEN CONSIDERED IN DEVELOPING THIS DRAWING, VERIFICATION OF SITE SPECIFIC CONDITIONS AND COMPLIANCE WITH FEDERAL, STATE AND LOCAL BUILDING CODES IS THE EXCLUSIVE RESPONSIBILITY OF THE CUSTOMER AND/OR ARCHITECT AND ENGINEER. THESE DRAWINGS REFLECT REQUIREMENTS FOR SONNY'S FURNISHED EQUIPMENT ONLY UNLESS OTHERWISE NOTED. PLEASE REFER TO OTHER MANUFACTURERS, IF ANY, FOR THEIR EQUIPMENT REQUIREMENTS.

**CONFIDENTIAL WARNING:**  
THIS SHEET CONTAINS AND CONSTITUTES CONFIDENTIAL INFORMATION, IMAGES AND TRADE SECRETS OF SONNY'S ENTERPRISES INC. ANY UNAUTHORIZED USE OR DISCLOSURE OF ANY OR PORTION THEREOF, IS STRICTLY PROHIBITED. THIS WORK IS THE EXCLUSIVE PROPERTY OF SONNY'S ENTERPRISES INC. ALL RIGHTS RESERVED.

**CWP-125\_FT-Generic**

SCALE: N.T.S.

LOCATION: FL

Sheet	Rev.
V.5	- + -

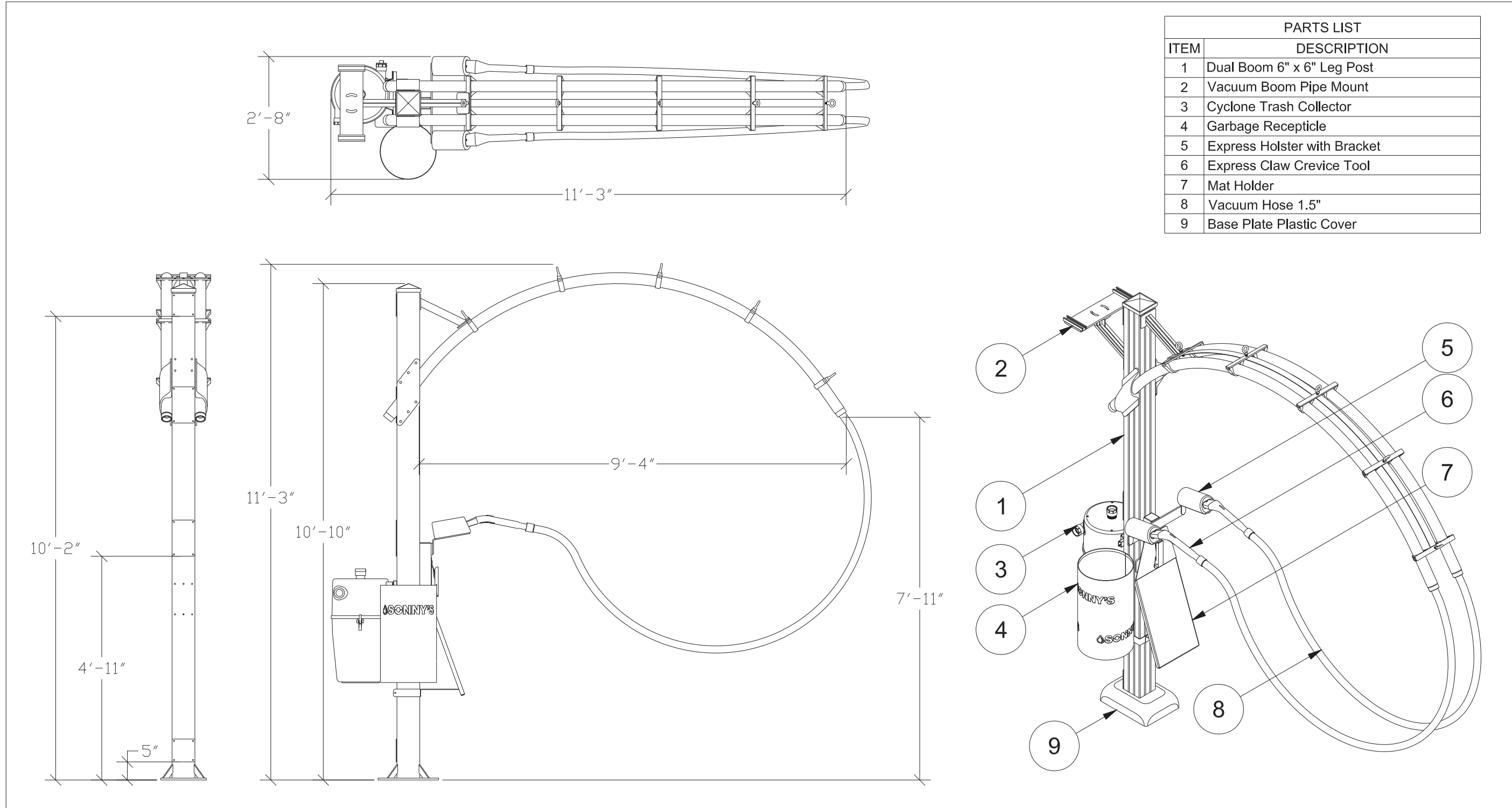
VACUUM LAYOUT



http://www.SonnysDirect.com

© 2018 SONNY'S ENTERPRISES, INC. 5605 Hiatus Road, Tamarac, FL 33521 USA. TEL. 800-327-8723

DATE:	11.06.17
REVISION DATE:	04.18.18
CREATED BY:	LV
REVISED BY:	FAO
CHECKED BY:	Luis V.



NOT FOR CONSTRUCTION UNTIL APPROVED BELOW.

APPROVED BY. \_\_\_\_\_ DATE \_\_\_\_\_

**DISCLAIMER**  
 ALTHOUGH BUILDING CODES HAVE BEEN CONSIDERED IN DEVELOPING THIS DRAWING, VERIFICATION OF SITE SPECIFIC CONDITIONS AND COMPLIANCE WITH FEDERAL, STATE AND LOCAL BUILDING CODES IS THE EXCLUSIVE RESPONSIBILITY OF THE CUSTOMER AND/OR ARCHITECT AND ENGINEER. THESE DRAWINGS REFLECT REQUIREMENTS FOR SONNYS'S FURNISHED EQUIPMENT ONLY UNLESS OTHERWISE NOTED. PLEASE REFER TO OTHER MANUFACTURERS, IF ANY, FOR THEIR EQUIPMENT REQUIREMENTS.

**CONFIDENTIAL WARNING:**  
 THIS SHEET CONTAINS AND CONSTITUTES CONFIDENTIAL INFORMATION, IMAGES AND TRADE SECRETS OF SONNYS'S ENTERPRISES INC. ANY UNAUTHORIZED USE OR DISCLOSURE OF ANY OR PORTION THEREOF, IS STRICTLY PROHIBITED. THIS WORK IS THE EXCLUSIVE PROPERTY OF SONNYS'S ENTERPRISES INC. ALL RIGHTS RESERVED.

**CWP-125\_FT-Generic**

SCALE: N.T.S. LOCATION: FL

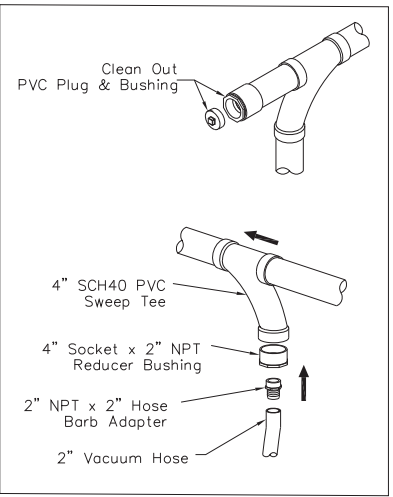
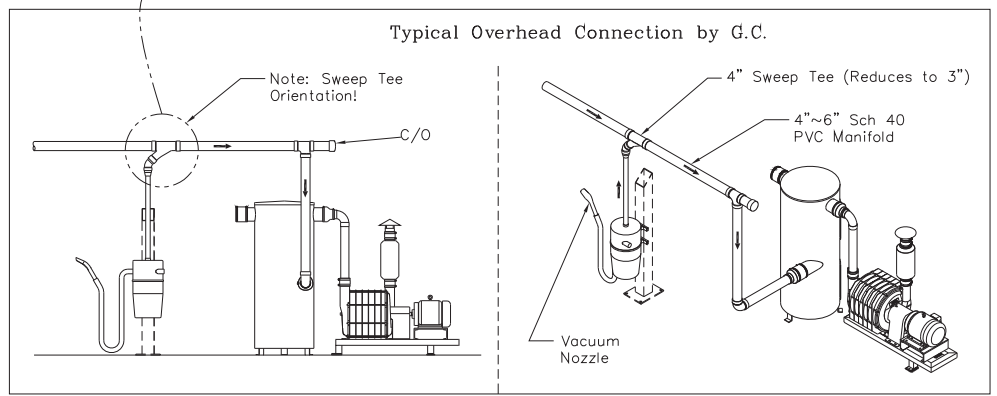
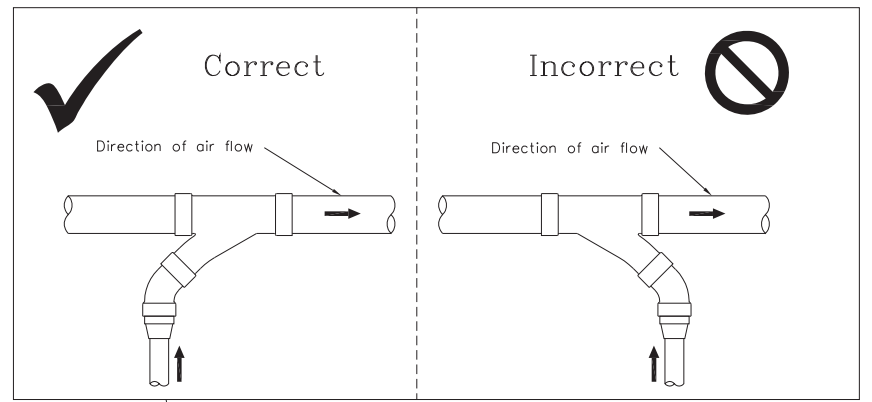
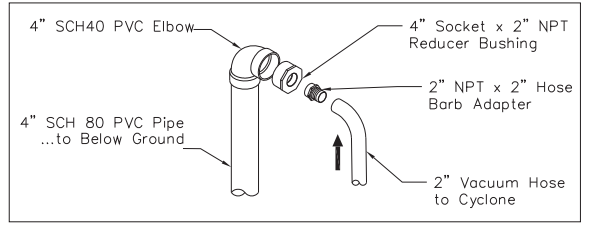
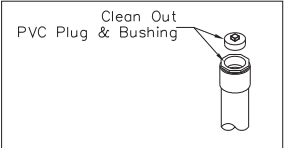
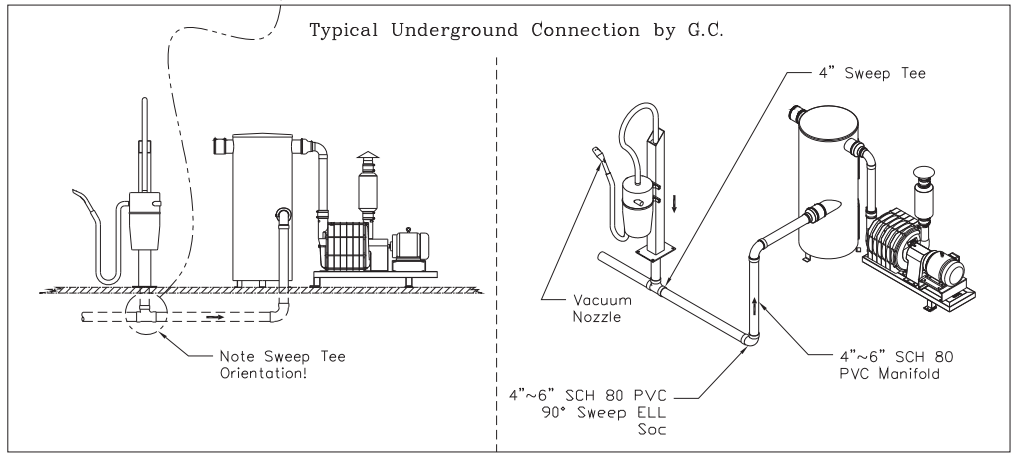
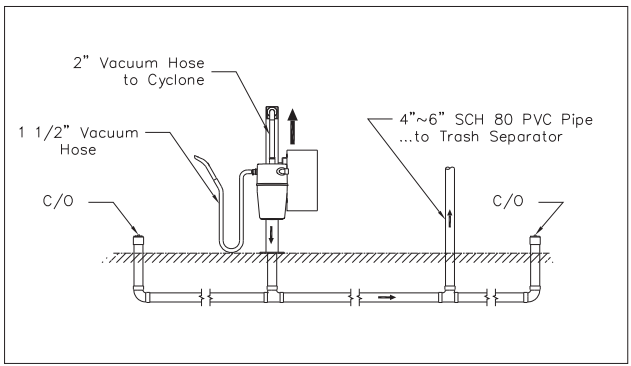
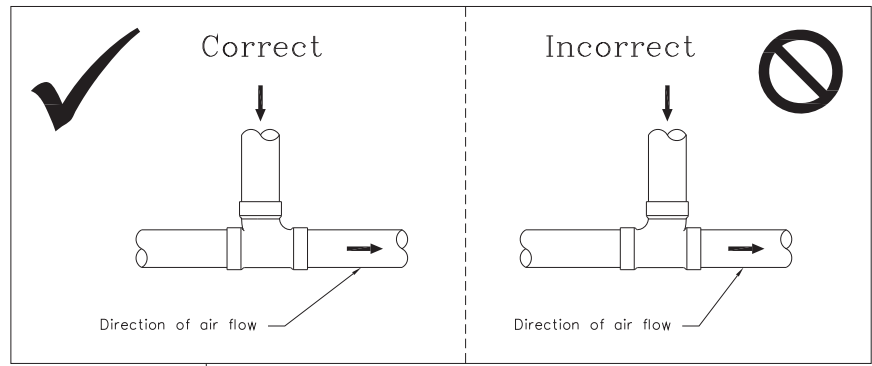
Sheet	Rev.
V.6	- + -

VACUUM LAYOUT



© 2018 SONNYS'S ENTERPRISES, INC. 5605 Hiatus Road, Tamarac, FL. 33321 USA. TEL. 800-327-8723

DATE:	11.06.17
REVISION DATE:	04.18.18
CREATED BY:	LV
REVISED BY:	FAO
CHECKED BY:	Luis V.



NOT FOR CONSTRUCTION UNTIL APPROVED BELOW.

APPROVED BY: \_\_\_\_\_ DATE: \_\_\_\_\_

**DISCLAIMER**  
 ALTHOUGH BUILDING CODES HAVE BEEN CONSIDERED IN DEVELOPING THIS DRAWING, VERIFICATION OF SITE SPECIFIC CONDITIONS AND COMPLIANCE WITH FEDERAL, STATE AND LOCAL BUILDING CODES IS THE EXCLUSIVE RESPONSIBILITY OF THE CUSTOMER AND/OR ARCHITECT AND ENGINEER. THESE DRAWINGS REFLECT REQUIREMENTS FOR SONNY'S FURNISHED EQUIPMENT ONLY UNLESS OTHERWISE NOTED. PLEASE REFER TO OTHER MANUFACTURERS, IF ANY, FOR THEIR EQUIPMENT REQUIREMENTS.

**CONFIDENTIAL WARNING:**  
 THIS SHEET CONTAINS AND CONSTITUTES CONFIDENTIAL INFORMATION, IMAGES AND TRADE SECRETS OF SONNY'S ENTERPRISES INC. ANY UNAUTHORIZED USE OR DISCLOSURE OF ANY OR PORTION THEREOF, IS STRICTLY PROHIBITED. THIS WORK IS THE EXCLUSIVE PROPERTY OF SONNY'S ENTERPRISES INC. ALL RIGHTS RESERVED.

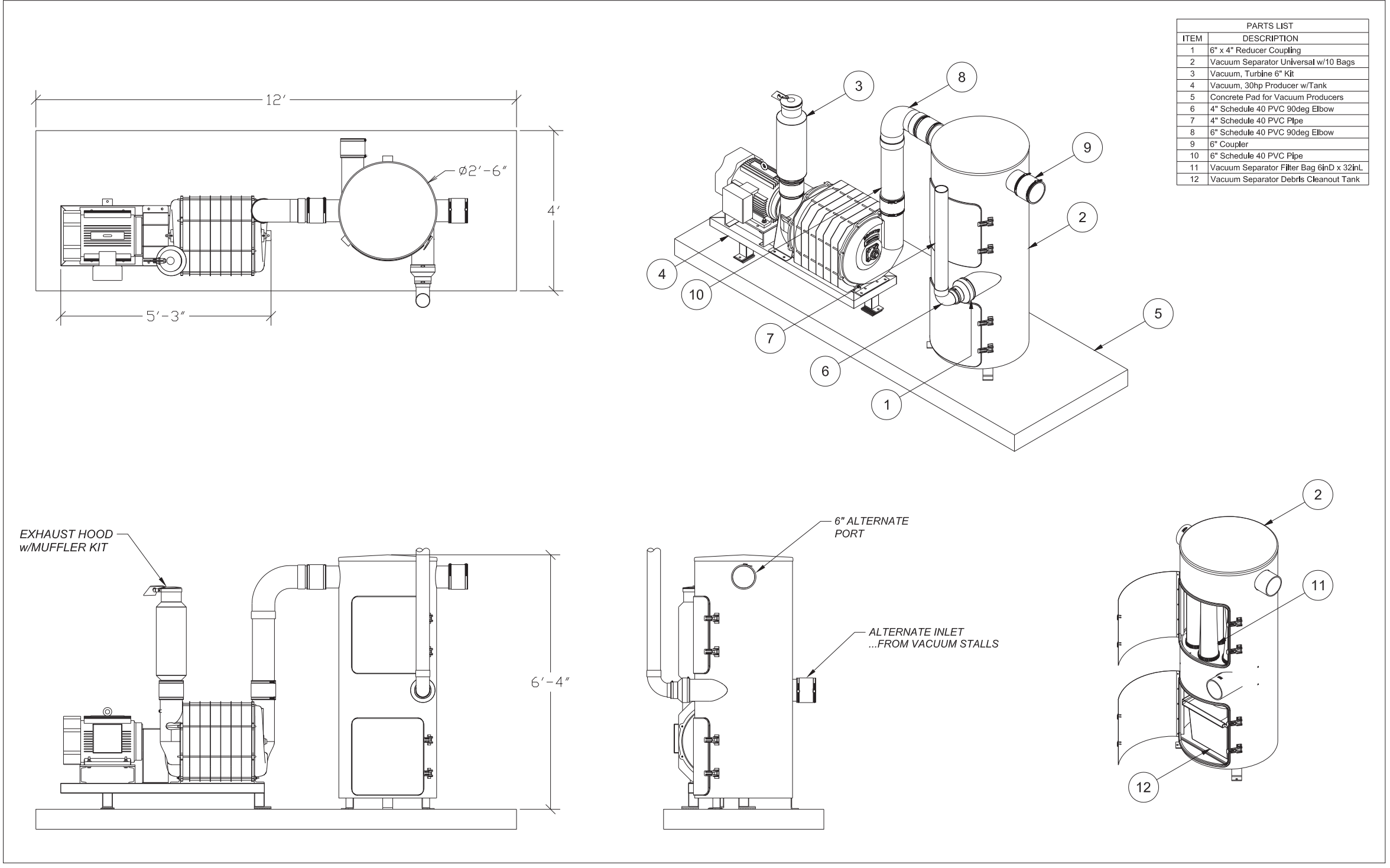
**CWP-125\_FT-Generic**  
 SCALE: N.T.S. LOCATION: FL

Sheet Rev.  
 V.7 -+-

**SONNY'S**  
 The CarWash Factory  
 http://www.SonnysDirect.com  
 © 2018 SONNY'S ENTERPRISES, INC. 5605 Hiatus Road, Tamarac, FL 33321 USA. TEL: 800-327-8723  
 DATE: 11.06.17 REVISION DATE: 04.18.18  
 CREATED BY: LV REVISED BY: FAO CHECKED BY: Luis V.

VACUUM LAYOUT





PARTS LIST	
ITEM	DESCRIPTION
1	6" x 4" Reducer Coupling
2	Vacuum Separator Universal w/10 Bags
3	Vacuum, Turbine 6" Kit
4	Vacuum, 30hp Producer w/Tank
5	Concrete Pad for Vacuum Producers
6	4" Schedule 40 PVC 90deg Elbow
7	4" Schedule 40 PVC Pipe
8	6" Schedule 40 PVC 90deg Elbow
9	6" Coupler
10	6" Schedule 40 PVC Pipe
11	Vacuum Separator Filter Bag 6inD x 32inL
12	Vacuum Separator Debrfs Cleanout Tank

NOT FOR CONSTRUCTION UNTIL APPROVED BELOW.

APPROVED BY: \_\_\_\_\_ DATE \_\_\_\_\_

**DISCLAIMER**  
 ALTHOUGH BUILDING CODES HAVE BEEN CONSIDERED IN DEVELOPING THIS DRAWING, VERIFICATION OF SITE SPECIFIC CONDITIONS AND COMPLIANCE WITH FEDERAL, STATE AND LOCAL BUILDING CODES IS THE EXCLUSIVE RESPONSIBILITY OF THE CUSTOMER AND/OR ARCHITECT AND ENGINEER. THESE DRAWINGS REFLECT REQUIREMENTS FOR SONNNY'S FURNISHED EQUIPMENT ONLY UNLESS OTHERWISE NOTED. PLEASE REFER TO OTHER MANUFACTURERS, IF ANY, FOR THEIR EQUIPMENT REQUIREMENTS.

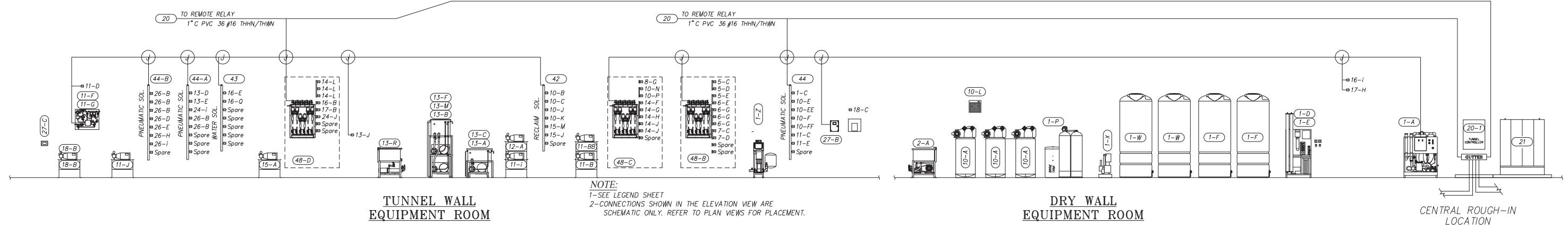
**CONFIDENTIAL WARNING:**  
 THIS SHEET CONTAINS AND CONSTITUTES CONFIDENTIAL INFORMATION, IMAGES AND TRADE SECRETS OF SONNNY'S ENTERPRISES INC. ANY UNAUTHORIZED USE OR DISCLOSURE OF ANY OR PORTION THEREOF, IS STRICTLY PROHIBITED. THIS WORK IS THE EXCLUSIVE PROPERTY OF SONNNY'S ENTERPRISES INC. ALL RIGHTS RESERVED.

**CWP-125\_FT-Generic**  
 SCALE: N.T.S. LOCATION: FL

Sheet V.8 Rev. -+-

**SONNNY'S**  
 The CarWash Factory  
<http://www.SonnysDirect.com>  
 © 2018 SONNNY'S ENTERPRISES, INC. 5605 Hiatus Road, Tamarac, FL. 33321 USA. TEL. 800-327-8723  
 DATE: 11.06.17 REVISION DATE: 04.18.18  
 CREATED BY: LV REVISED BY: FAO CHECKED BY: Luis V.

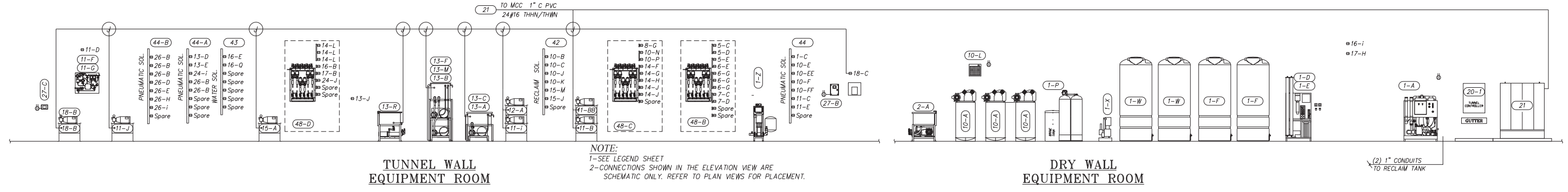
VACUUM LAYOUT



**TUNNEL WALL EQUIPMENT ROOM**

**DRY WALL EQUIPMENT ROOM**

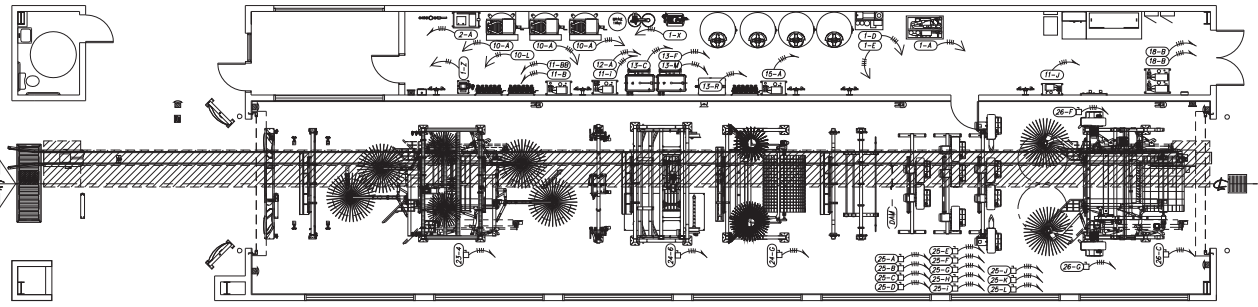
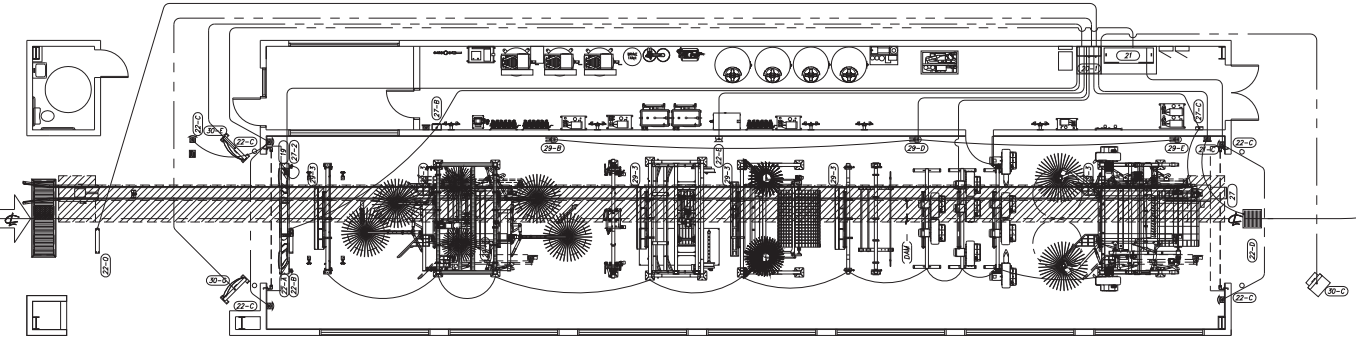
NOTE:  
1-SEE LEGEND SHEET  
2-CONNECTIONS SHOWN IN THE ELEVATION VIEW ARE SCHEMATIC ONLY. REFER TO PLAN VIEWS FOR PLACEMENT.



**TUNNEL WALL EQUIPMENT ROOM**

**DRY WALL EQUIPMENT ROOM**

NOTE:  
1-SEE LEGEND SHEET  
2-CONNECTIONS SHOWN IN THE ELEVATION VIEW ARE SCHEMATIC ONLY. REFER TO PLAN VIEWS FOR PLACEMENT.



**DISCLAIMER**  
ALTHOUGH BUILDING CODES HAVE BEEN CONSIDERED IN DEVELOPING THIS DRAWING, VERIFICATION OF SITE SPECIFIC CONDITIONS AND COMPLIANCE WITH FEDERAL, STATE AND LOCAL BUILDING CODES IS THE EXCLUSIVE RESPONSIBILITY OF THE CUSTOMER AND/OR ARCHITECT AND ENGINEER. THESE DRAWINGS REFLECT REQUIREMENTS FOR SONNY'S FURNISHED EQUIPMENT ONLY UNLESS OTHERWISE NOTED. PLEASE REFER TO OTHER MANUFACTURERS, IF ANY, FOR THEIR EQUIPMENT REQUIREMENTS.

**CONFIDENTIAL WARNING:**  
THIS SHEET CONTAINS AND CONSTITUTES CONFIDENTIAL INFORMATION, IMAGES AND TRADE SECRETS OF SONNY'S ENTERPRISES INC. ANY UNAUTHORIZED USE OR DISCLOSURE OF ANY OR PORTION THEREOF, IS STRICTLY PROHIBITED. THIS WORK IS THE EXCLUSIVE PROPERTY OF SONNY'S ENTERPRISES INC. ALL RIGHTS RESERVED.

**CWP-125\_FT-Generic**  
SCALE: N.T.S. LOCATION: FL

Sheet	Rev.
E.1	+-

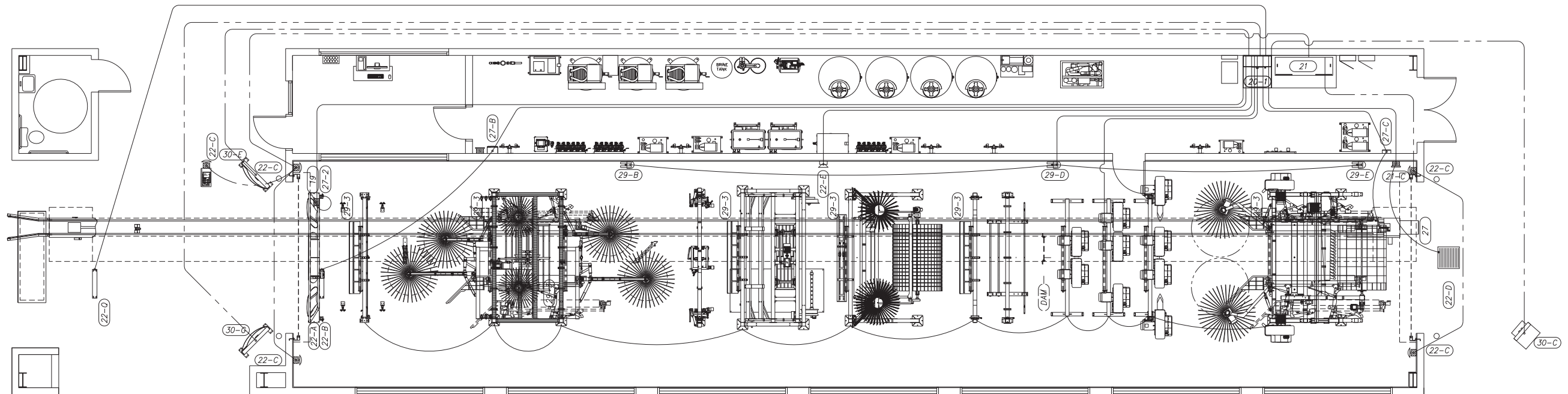
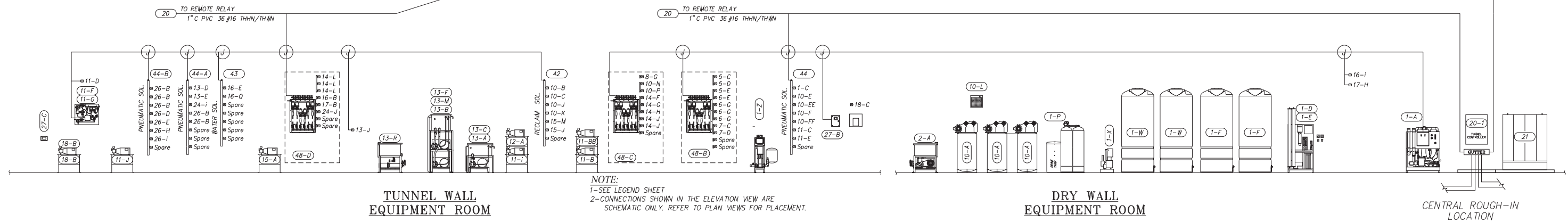
ELECTRICAL; GC



http://www.SonnysDirect.com

DATE:	11.06.17
REVISION DATE:	04.18.18
CREATED BY:	LV
REVISED BY:	FAO
CHECKED BY:	Luis V.

© 2018 SONNY'S ENTERPRISES, INC. 5605 Hiatus Road, Tamarac, FL. 33321 USA. TEL. 800-327-8723



NOT FOR CONSTRUCTION UNTIL APPROVED BELOW.

APPROVED BY. \_\_\_\_\_ DATE \_\_\_\_\_

**DISCLAIMER**  
ALTHOUGH BUILDING CODES HAVE BEEN CONSIDERED IN DEVELOPING THIS DRAWING, VERIFICATION OF SITE SPECIFIC CONDITIONS AND COMPLIANCE WITH FEDERAL, STATE AND LOCAL BUILDING CODES IS THE EXCLUSIVE RESPONSIBILITY OF THE CUSTOMER AND/OR ARCHITECT AND ENGINEER. THESE DRAWINGS REFLECT REQUIREMENTS FOR SONNY'S FURNISHED EQUIPMENT ONLY UNLESS OTHERWISE NOTED. PLEASE REFER TO OTHER MANUFACTURERS, IF ANY, FOR THEIR EQUIPMENT REQUIREMENTS.

**CONFIDENTIAL WARNING:**  
THIS SHEET CONTAINS AND CONSTITUTES CONFIDENTIAL INFORMATION, IMAGES AND TRADE SECRETS OF SONNY'S ENTERPRISES INC. ANY UNAUTHORIZED USE OR DISCLOSURE OF ANY OR PORTION THEREOF, IS STRICTLY PROHIBITED. THIS WORK IS THE EXCLUSIVE PROPERTY OF SONNY'S ENTERPRISES INC. ALL RIGHTS RESERVED.

**CWP-125\_FT-Generic**  
SCALE: 3/32"=1' LOCATION: FL

Sheet	Rev.
E.2	+ -

DATE:	11.06.17
REVISION DATE:	04.18.18
CREATED BY:	LV
REVISED BY:	FAO
CHECKED BY:	Luis V.

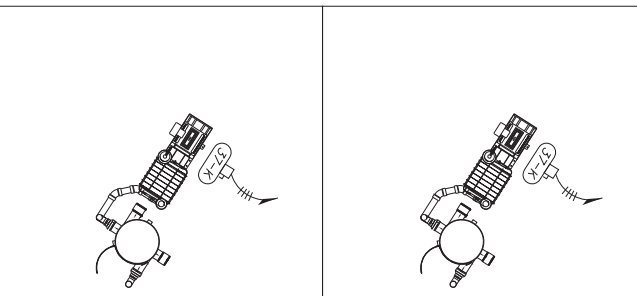
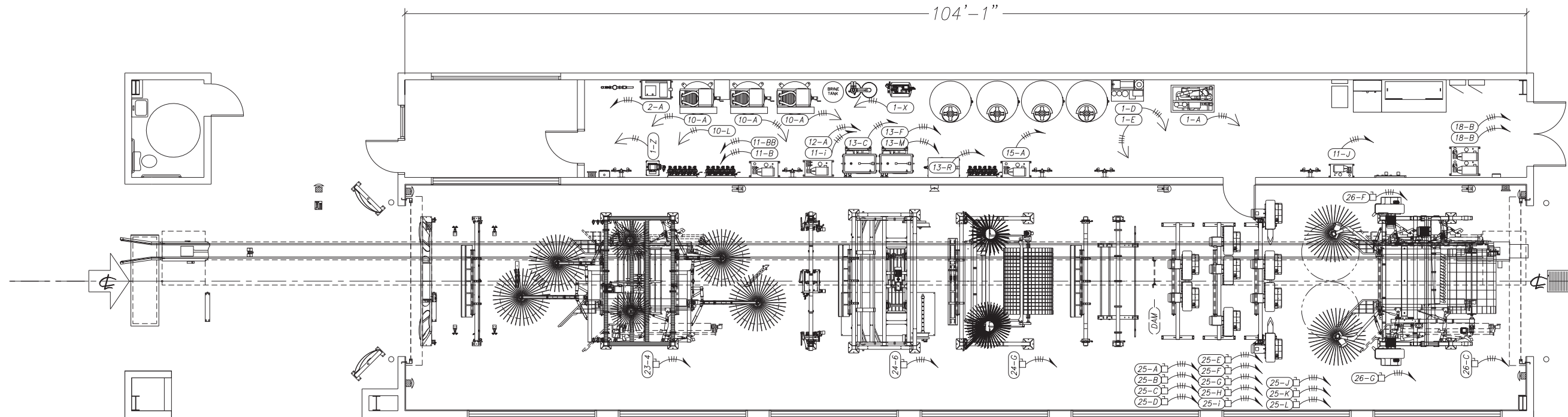
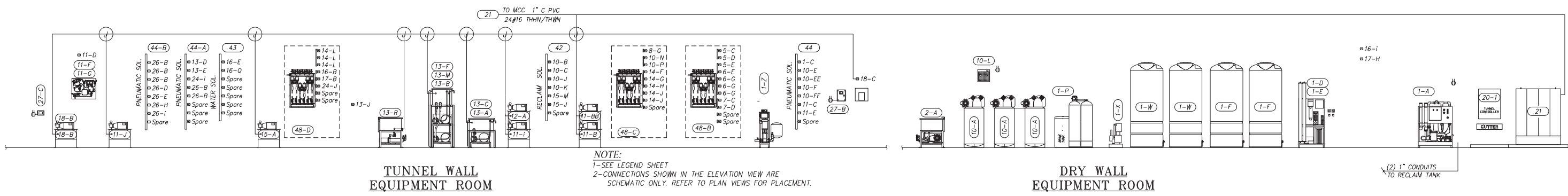
**SONNY'S**  
The CarWash Factory

<http://www.SonnysDirect.com>

ELECTRICAL; GC  
CONTROL VOLTAGE

© 2018 SONNY'S ENTERPRISES, INC. 5605 Hiatus Road, Tamarac, FL. 33521 USA. TEL.800-327-8723





NOT FOR CONSTRUCTION UNTIL APPROVED BELOW.

APPROVED BY: \_\_\_\_\_ DATE \_\_\_\_\_

**DISCLAIMER**  
 ALTHOUGH BUILDING CODES HAVE BEEN CONSIDERED IN DEVELOPING THIS DRAWING, VERIFICATION OF SITE SPECIFIC CONDITIONS AND COMPLIANCE WITH FEDERAL, STATE AND LOCAL BUILDING CODES IS THE EXCLUSIVE RESPONSIBILITY OF THE CUSTOMER AND/OR ARCHITECT AND ENGINEER. THESE DRAWINGS REFLECT REQUIREMENTS FOR SONNY'S FURNISHED EQUIPMENT ONLY UNLESS OTHERWISE NOTED. PLEASE REFER TO OTHER MANUFACTURERS, IF ANY, FOR THEIR EQUIPMENT REQUIREMENTS.

**CONFIDENTIAL WARNING:**  
 THIS SHEET CONTAINS AND CONSTITUTES CONFIDENTIAL INFORMATION, IMAGES AND TRADE SECRETS OF SONNY'S ENTERPRISES INC. ANY UNAUTHORIZED USE OR DISCLOSURE OF ANY OR PORTION THEREOF, IS STRICTLY PROHIBITED. THIS WORK IS THE EXCLUSIVE PROPERTY OF SONNY'S ENTERPRISES INC. ALL RIGHTS RESERVED.

**CWP-125\_FT-Generic**  
 SCALE: 3/32"=1' LOCATION: FL

Sheet Rev.  
 E.3 - + -

DATE: 11.06.17  
 REVISION DATE: 04.18.18  
 CREATED BY: LV  
 REVISED BY: FAO  
 CHECKED BY: Luis V.

**SONNY'S**  
 The CarWash Factory  
<http://www.SonnysDirect.com>

ELECTRICAL; GC  
 MOTOR RUNS  
 © 2018 SONNY'S ENTERPRISES, INC. 5605 Hiatus Road, Tamarac, FL. 33321 USA. TEL.800-327-8723

480V

MOTOR CONTROL CENTER

480V, 3~ 4W

TOTAL CONNECTED LOAD: 491.5A  
BREAKER SIZE TBD MLO (VERIFY T.C.L.)  
PANEL RATED AIC TBD  
RMS SYMMETRICAL

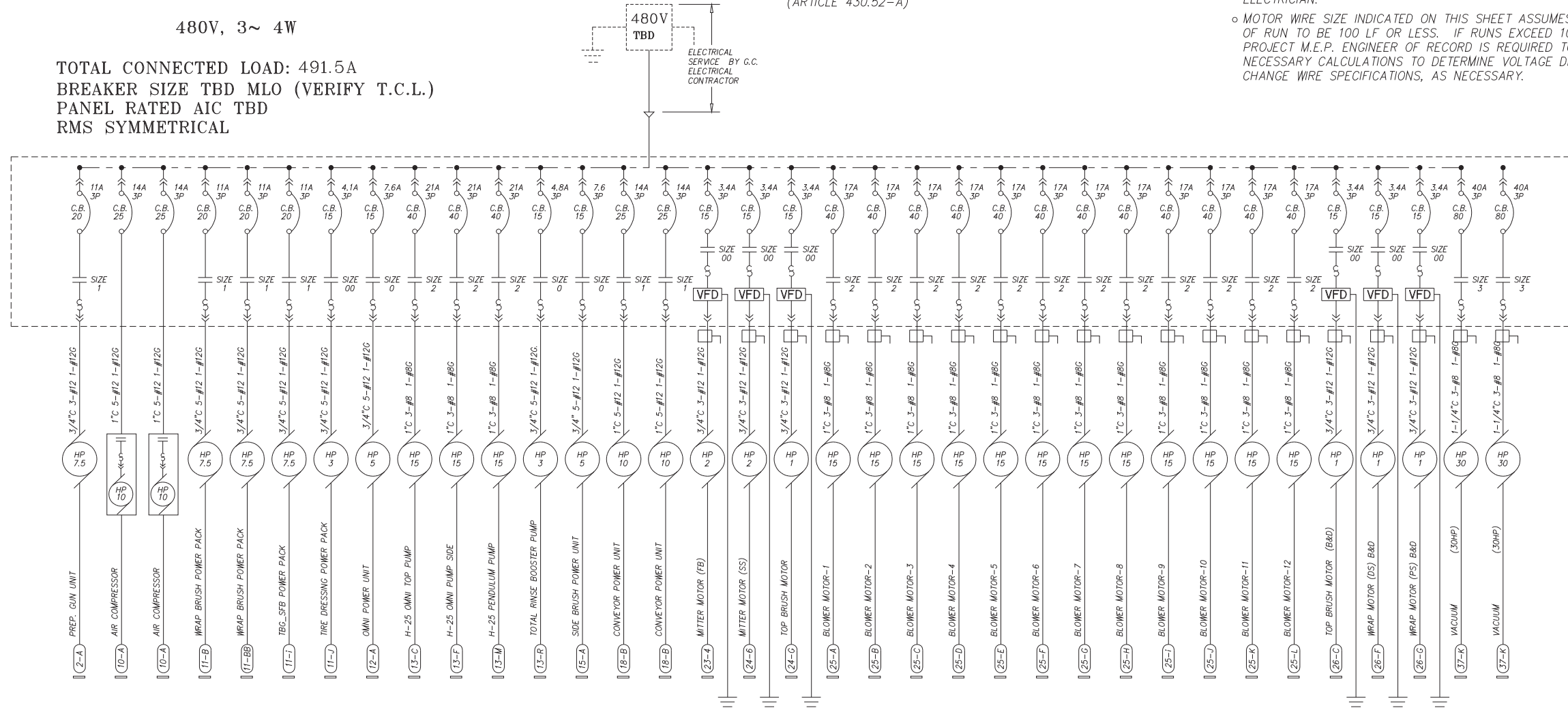
05.10.06  
NOTES:

1. PROVIDE 4" HIGH CONCRETE HOUSEKEEPING PAD FOR MCC.
2. LOCATE MCC SUCH THAT PROPER FRONT WORKING SPACE IS MAINTAINED IN ACCORDANCE TO NEC 110-16(a).
3. ALL WIRE TO BE TYPE THHN/THWN.

- o HANDLE MECHANISMS SHALL HAVE "LOCK-OFF" PROVISIONS
- o ALL STARTERS ARE FVNR
- o MCC SHALL BE WIRED NEMA CLASS I, TYPE A
- o MCC SHALL HAVE MOTOR CIRCUIT PROTECTORS ON STARTER UNITS
- o IF VFD'S ARE USED, ALL CONDUITS TO MOTORS CONTROLLED BY VFD MUST BE STEEL (NO PVC ALLOWED), AND ALL VFD MUST HAVE INDIVIDUAL DRIVEN GROUND RODS. VFD'S CONTROL REQUIRES (2) #16 TO DRY-CONTACT POWER SUPPLY INDIVIDUALLY PER VFD'S. ALSO THE CB IS INSTANTANEOUS TRIP BREAKER (ARTICLE 430.52-A)

MCC NOTES:

- o (□)-DISCONNECTS TO BE MOUNTED IN TUNNEL OR OTHER AREAS NOT WITHIN 50 L.F. OR L.O.S. OF MCC IN CONFORMANCE WITH N.E.C. AND/OR LOCAL CODES..ALSO TO BE TYPE 4X NON-METALLIC ENCLOSURES, NON-FUSED SIZED FOR LOAD. DISCONNECTING MEANS SHALL NOT BE REQUIRED WHERE SUCH A LOCATION OF THE DISCONNECTING MEANS IS IMPRACTICABLE OR INTRODUCES ADDITIONAL OR INCREASED HAZARDS TO PERSON OR PROPERTY. N.E.C. (ARTICLE 430.102-B-a)
- o ALL CONDUIT, WIRES, DISCONNECTS, AND TERMINATIONS BY G.C. ELECTRICIAN.
- o MOTOR WIRE SIZE INDICATED ON THIS SHEET ASSUMES LENGTHS OF RUN TO BE 100 LF OR LESS. IF RUNS EXCEED 100 LF, PROJECT M.E.P. ENGINEER OF RECORD IS REQUIRED TO RUN NECESSARY CALCULATIONS TO DETERMINE VOLTAGE DROP AND CHANGE WIRE SPECIFICATIONS, AS NECESSARY.



ONE-LINE DIAGRAM

NOT FOR CONSTRUCTION UNTIL APPROVED BELOW.

APPROVED BY: \_\_\_\_\_ DATE: \_\_\_\_\_

**DISCLAIMER**  
ALTHOUGH BUILDING CODES HAVE BEEN CONSIDERED IN DEVELOPING THIS DRAWING, VERIFICATION OF SITE SPECIFIC CONDITIONS AND COMPLIANCE WITH FEDERAL, STATE AND LOCAL BUILDING CODES IS THE EXCLUSIVE RESPONSIBILITY OF THE CUSTOMER AND/OR ARCHITECT AND ENGINEER. THESE DRAWINGS REFLECT REQUIREMENTS FOR SONNYS'S FURNISHED EQUIPMENT ONLY UNLESS OTHERWISE NOTED. PLEASE REFER TO OTHER MANUFACTURERS, IF ANY, FOR THEIR EQUIPMENT REQUIREMENTS.

**CONFIDENTIAL WARNING:**  
THIS SHEET CONTAINS AND CONSTITUTES CONFIDENTIAL INFORMATION, IMAGES AND TRADE SECRETS OF SONNYS'S ENTERPRISES INC. ANY UNAUTHORIZED USE OR DISCLOSURE OF ANY OR PORTION THEREOF, IS STRICTLY PROHIBITED. THIS WORK IS THE EXCLUSIVE PROPERTY OF SONNYS'S ENTERPRISES INC. ALL RIGHTS RESERVED.

CWP-125\_FT-Generic

SCALE: N.T.S.

LOCATION: FL

Sheet	Rev.
E.4	- + -

ONE LINE ELECTRICAL SCHEMATIC



http://www.SonnysDirect.com

© 2018 SONNYS'S ENTERPRISES, INC. 5605 Hiatus Road, Tamarac, FL. 33521 USA. TEL: 800-327-8723

DATE:	11.06.17
REVISION DATE:	04.18.18
CREATED BY:	LV
REVISED BY:	FAO
CHECKED BY:	Luis V.

## PANEL & CIRCUITS BY G.C. ELECTRICIAN

PANEL SCHEDULE									
VOLTS: 120/208 PHASE: 3 WIRE: 4 MARK CW									
MAINS: _____									
CKT No.	DEVICE		DESCRIPTION	CONN. LOAD		DEM %	DEM WATTS	COND	WIRE
	AMP TRIP	POLES		OA	OC				
2	20	1	TUNNEL LIGHTING			100			
4	20	1	TUNNEL LIGHTING			100			
6	20	1	VACUUM LIGHTING			100			
8	20	1	VACUUM LIGHTING			100			
10			SPARE			100			
12	15	1	CONTROL_120V (1-A)			100			
14			SPARE			100			
16	30	2	CONCIERGE PUMP(1-Z)			100			
18						100			
20			SPARE			100			
22	15	1	CONTROL_120V (1-DE)			100			
24			SPARE			100			
26	15	1	CONTROL_120V (1-X)			100			
28			SPARE			100			
30	35	3	COMPRESSOR.5HP (10-A)			100			
32						100			
34						100			
36			SPARE			100			
38	15	1	AIR DRYER (10-L)			100			
40			SPARE			100			
42	10	1	CONTRO BOX (27-C)			100			

CKT No.	DEVICE		DESCRIPTION	CONN. LOAD		DEM %	DEM WATTS	COND	WIRE
	AMP TRIP	POLES		OA	OC				
1	20	1	E.ROOM LIGHTING			100			
3			SPARE			100			
5	20	1	NEON SIGNS			100			
7	20	1	NEON SIGNS			100			
9			SPARE			100			
11	20	1	PAY STATION (20-C)			100			
13	20	1	PAY STATION (20-C)			100			
15	20	1	GATE (20-D)			100			
17	20	1	GATE (20-D)			100			
19	20	1	MASTER COMP.			100			
21	20	1	INPUT TERMINAL			100			
23	20	1	RELAY BOX			100			
25	20	1	MENU SIGN (30-i)			100			
27	20	1	MENU SIGN (30-i)			100			
29			SPARE			100			
31	20	1	ENTRANCE SIGN (30-E)			100			
33			SPARE			100			
35	20	1	WAIT & GO (30-C)			100			
37			SPARE			100			
39	20	1	RECEIVED SIGN (30-G)			100			
41			SPARE			100			

TOTALS									
A.I.C. RATING	(VERIFY)		TOTAL CONNECTED	_____	WATTS				
MOUNTING	SURFACE		TOTAL DEMAND	_____	WATTS				
			TOTAL AMPS	_____	AMPS				

PANEL SCHEDULE									
VOLTS: 277/480 PHASE: 3 WIRE: 4 MARK CW									
MAINS: _____									
CKT No.	DEVICE		DESCRIPTION	CONN. LOAD		DEM %	DEM WATTS	COND	WIRE
	AMP TRIP	POLES		OA	OC				
2	15	3	RO UNIT (1-D)			100			
4						100			
6						100			
8			SPARE			100			
10			SPARE			100			
12			SPARE			100			
14	15	3	RO REPRESSURIZER (1-E)			100			
16						100			
18						100			
20			SPARE			100			
22			SPARE			100			

CKT No.	DEVICE		DESCRIPTION	CONN. LOAD		DEM %	DEM WATTS	COND	WIRE
	AMP TRIP	POLES		OA	OC				
1	15	3	RECLAIM UNIT (1-A)			100			
3						100			
5						100			
7			SPARE			100			
9			SPARE			100			
11			SPARE			100			
13	15	3	RO REJECT PUMP (1-X)			100			
15						100			
17						100			
19			SPARE			100			
21			SPARE			100			

TOTALS									
A.I.C. RATING	(VERIFY)		TOTAL CONNECTED	_____	WATTS				
MOUNTING	SURFACE		TOTAL DEMAND	_____	WATTS				
			TOTAL AMPS	_____	AMPS				

NOT FOR CONSTRUCTION UNTIL APPROVED BELOW.

APPROVED BY: \_\_\_\_\_ DATE: \_\_\_\_\_

DATE: 11.06.17  
 REVISION DATE: 04.18.18  
 CREATED BY: LV  
 REVISED BY: FAO  
 CHECKED BY: Luis V.



ELECTRICAL PANEL; GC ELECTRICAL SCHEMATIC

© 2018 SONNY'S ENTERPRISES, INC. 5605 Hiatus Road, Tamarac, FL. 33321 USA. TEL. 800-327-8723

**DISCLAIMER**  
 ALTHOUGH BUILDING CODES HAVE BEEN CONSIDERED IN DEVELOPING THIS DRAWING, VERIFICATION OF SITE SPECIFIC CONDITIONS AND COMPLIANCE WITH FEDERAL, STATE AND LOCAL BUILDING CODES IS THE EXCLUSIVE RESPONSIBILITY OF THE CUSTOMER AND/OR ARCHITECT AND ENGINEER. THESE DRAWINGS REFLECT REQUIREMENTS FOR SONNY'S FURNISHED EQUIPMENT ONLY UNLESS OTHERWISE NOTED. PLEASE REFER TO OTHER MANUFACTURERS, IF ANY, FOR THEIR EQUIPMENT REQUIREMENTS.

**CONFIDENTIAL WARNING:**  
 THIS SHEET CONTAINS AND CONSTITUTES CONFIDENTIAL INFORMATION, IMAGES AND TRADE SECRETS OF SONNY'S ENTERPRISES INC. ANY UNAUTHORIZED USE OR DISCLOSURE OF ANY OR PORTION THEREOF, IS STRICTLY PROHIBITED. THIS WORK IS THE EXCLUSIVE PROPERTY OF SONNY'S ENTERPRISES INC. ALL RIGHTS RESERVED.

CWP-125\_FT-Generic

SCALE: N.T.S. LOCATION: FL

Sheet	Rev.
E.5	- + -



GC= GENERAL CONTRACTOR  
 SCWI = SONNY'S (CARWASH INSTALLER)

10.21.15

## ELECTRICAL SPECIFICATIONS GENERAL CONTRACTOR

### A. GENERAL PROVISIONS

1. THE WORK SHALL CONSIST OF FURNISHING LABOR, EQUIPMENT, AND MATERIALS TO PROVIDE THE COMPLETE INTEGRATED AND PROPER FUNCTIONING SYSTEMS AS SHOWN ON THE DRAWINGS.
2. SCOPE OF WORK INCLUDES, BUT IS NOT LIMITED TO, FURNISHING, INSTALLING AND TERMINATING ALL 3 PHASE, 1 PHASE, COMPUTER/CONTROL POWER PER THESE DRAWINGS, AND SONNY'S INSTALLATION MANUALS.
3. ALL WORK SHALL BE DONE IN CONFORMANCE WITH THE LATEST EDITION OF THE NATIONAL ELECTRICAL CODE, ALL APPLICABLE FEDERAL, STATE AND LOCAL REGULATIONS AND ORDINANCES.
4. ALL EQUIPMENT AND MATERIALS PROVIDED SHALL BE NEW AND IN CONFORMANCE WITH APPLICABLE PROVISIONS OF N.E.M.A., A.N.S.I., U.L., ETC.
5. THE ELECTRICAL CONTRACTOR SHALL COORDINATE HIS WORK WITH THAT OF OTHER TRADES SO AS TO AVOID INTERFERENCE.
6. THE DRAWINGS ARE DIAGRAMMATIC AND INDICATE GENERAL LAYOUT OF ELECTRICAL SYSTEMS. FIELD VERIFICATIONS OF DIMENSIONS IS DIRECTED.
7. SECURE PERMITS AND INSPECTIONS REQUIRED BY STATE AND LOCAL LAWS AND ORDINANCES.
8. UPON COMPLETION OF THE WORK, FURNISH TO THE OWNER CERTIFICATES OF FINAL INSPECTIONS AND APPROVALS FROM AUTHORITIES HAVING JURISDICTION.
9. ALL WORK SHALL BE GUARANTEED FOR A PERIOD OF ONE (1) YEAR FROM THE DATE OF FINAL ACCEPTANCE BY THE OWNER.
10. ELECTRICAL EQUIPMENT SHALL BE FIELD MARKED TO WARN QUALIFIED PERSONS OF POTENTIAL ELECTRICAL ARC FLASH HAZARDS.

### B. RACEWAYS

1. ALL WIRING SHALL BE INSTALLED IN APPROVED RACEWAYS UNLESS OTHERWISE INDICATED.
2. MINIMUM CONDUIT SIZE SHALL BE 1/2" TRADE SIZE.
3. USE FLEXIBLE CONDUIT FOR SHORT FINAL CONNECTIONS TO VIBRATING EQUIPMENT SUCH AS MOTORS AND TRANSFORMERS. LIQUID-TIGHT FLEXIBLE CONDUIT SHALL BE USED IN DAMP AND WET LOCATIONS. ALL BLOWERS CONNECTION MUST HAVE 24" SERVICE DRIP LOOP TO ALLOW MOVEMENT OR MAINTENANCE. FLEXIBLE CORDS SHALL BE USED WHERE CALLED FOR ON THE PLANS.
4. EXPOSED CONDUITS SHALL BE RUN PARALLEL TO BUILDING LINES.
5. DO NOT INSTALL CONDUITS LARGER THAN 1/3 THE SLAB THICKNESS IN CONCRETE SLABS.
6. PROVIDE APPROVED FIRE STOPPING MATERIALS AT ALL PENETRATIONS THROUGH FIRE RATED FLOORS AND WALLS TO PREVENT THE PASSAGE OF SMOKE, FIRE, TOXIC GAS OR WATER THROUGH THE PENETRATION EITHER BEFORE, DURING, OR AFTER A FIRE, AS REQUIRED BY ARTICLE 300-21 OF THE N.E.C.
7. PROVIDE CABLE SUPPORTS IN ACCORDANCE WITH ARTICLE 300 OF THE N.E.C.
8. PROVIDE EXPANSION FITTINGS IN CONDUIT RUNS CROSSING STRUCTURAL EXPANSION JOINTS.

### C. CONDUCTORS

1. ALL WIRING SHALL BE COPPER.
2. CONDUCTORS SHALL BE RATED 600V. WITH TYPE THWN/THHN INSULATION.
3. WIRES SHALL BE STRANDED CONDUCTOR

### D. CONNECTORS

1. ALL WIRE CONNECTIONS FOR 10HP MOTORS OR LARGER MUST BE SPLIT BOLI CONNECTORS OR EQUIVALENT APPROVED BY N.E.C AND/OR MANUFACTURER.

### E. LIGHTING PANELS

1. PROVIDE LIGHTING PANELS AS INDICATED ON THE PLANS AND AS SPECIFIED HEREIN. ALL PANELS SHALL BE DEAD FRONT, CIRCUIT BREAKER TYPE. AND SHALL BEAR THE U.L. LABEL AS WELL AS MEET ALL APPLICABLE NEMA REQUIREMENTS.
2. UNLESS OTHERWISE NOTED, TOP OF PANELS SHALL BE MOUNTED 6"-0" A.F.F.
3. ALL PANELS SHALL HAVE TYPEWRITTEN CIRCUIT DIRECTORIES MOUNTED INSIDE OF DOOR.
4. PANELS SHALL BE SUITABLE FOR THE SERVICE RATING AND THE A.I.C. RATING INDICATED ON THE PANEL SCHEDULES.
5. ALL BREAKERS SHALL BE FULL SPACE, INDIVIDUAL FRAME TYPE. NO "PIGGYBACK" OR TANDEM BREAKERS WILL BE PERMITTED.

### F. SAFETY SWITCHES

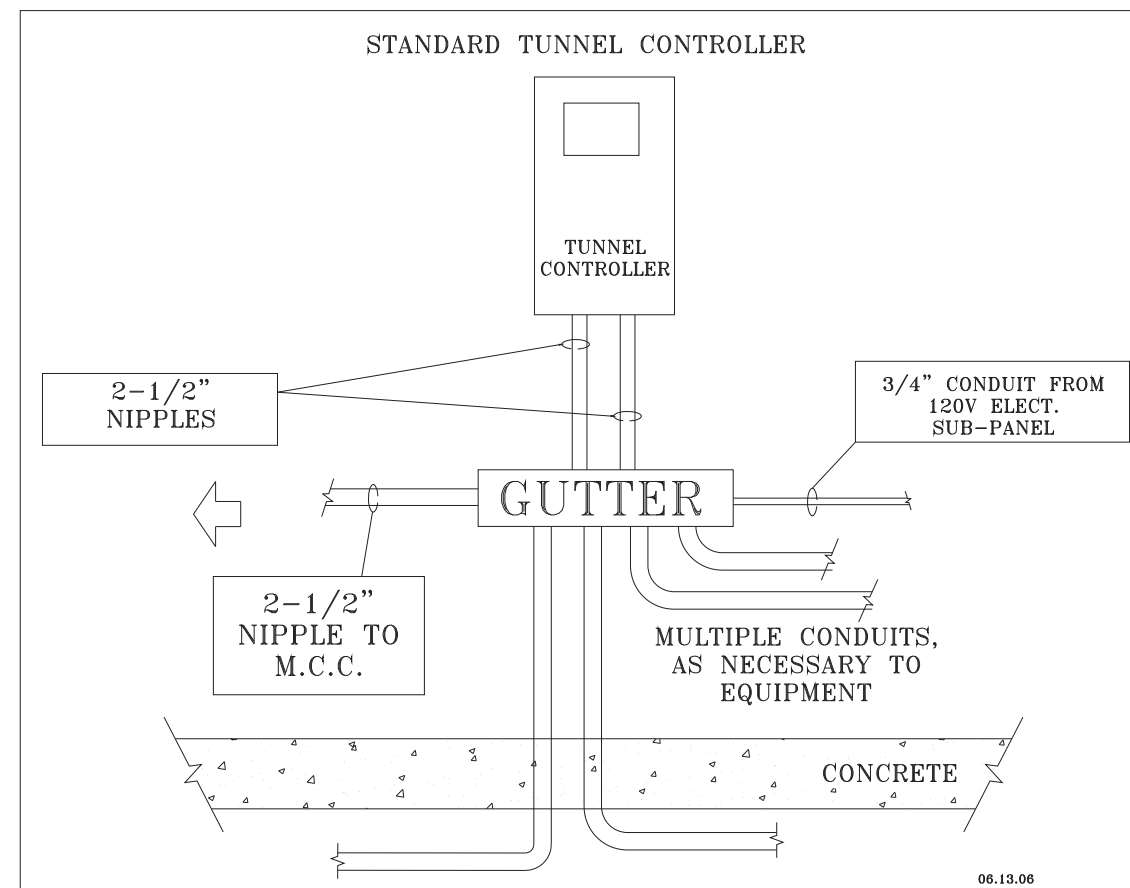
1. SAFETY SWITCHES SHALL BE HEAVY DUTY TYPE NON-FUSIBLE WITH POLES, AMPERE AND SERVICE RATINGS AS INDICATED ON THE PLANS. LUGS SHALL BE U.L. LISTED FOR CU.-AL.
2. ENCLOSURES FOR SAFETY SWITCHES SHALL BE NEMA 1, EXCEPT FOR SWITCHES MARKED "WP" (WEATHERPROOF) SHALL BE NEMA 4X.
- 2.A (□)-DISCONNECTS TO BE MOUNTED IN TUNNEL OR OTHER AREAS NOT WITHIN 50 L.F. OR L.O.S. OF MCC IN CONFORMANCE WITH N.E.C. AND/OR LOCAL CODES..ALSO TO BE TYPE 4X NON-METALLIC ENCLOSURES, NON-FUSED SIZED FOR LOAD. DISCONNECTING MEANS SHALL NOT BE REQUIRED WHERE SUCH A LOCATION OF THE DISCONNECTING MEANS IS IMPRACTICABLE OR INTRODUCES ADDITIONAL OR INCREASED HAZARDS TO PERSON OR PROPERTY. N.E.C. (ARTICLE 430.102-B-a)

NOT FOR CONSTRUCTION UNTIL APPROVED BELOW.

APPROVED BY: \_\_\_\_\_ DATE \_\_\_\_\_

### LEGEND:

- SURFACE MOUNTED Conduit
- CONCEALED Conduit
- WIRED TO CBP
- WIRED TO CBP (3P) Disconnect Required
- WIRED TO CBP (3P)
- WIRED TO MCC
- WIRED TO MCC Disconnect Required
- JUNCTION BOX



DATE:	11.06.17	REVISION DATE:	04.18.18
CREATED BY:	LV	REVISED BY:	FAO
CHECKED BY:	Luis V.		

**SONNY'S**  
 The CarWash Factory

<http://www.SonnysDirect.com>

DIVISION OF WORK/LEGEND

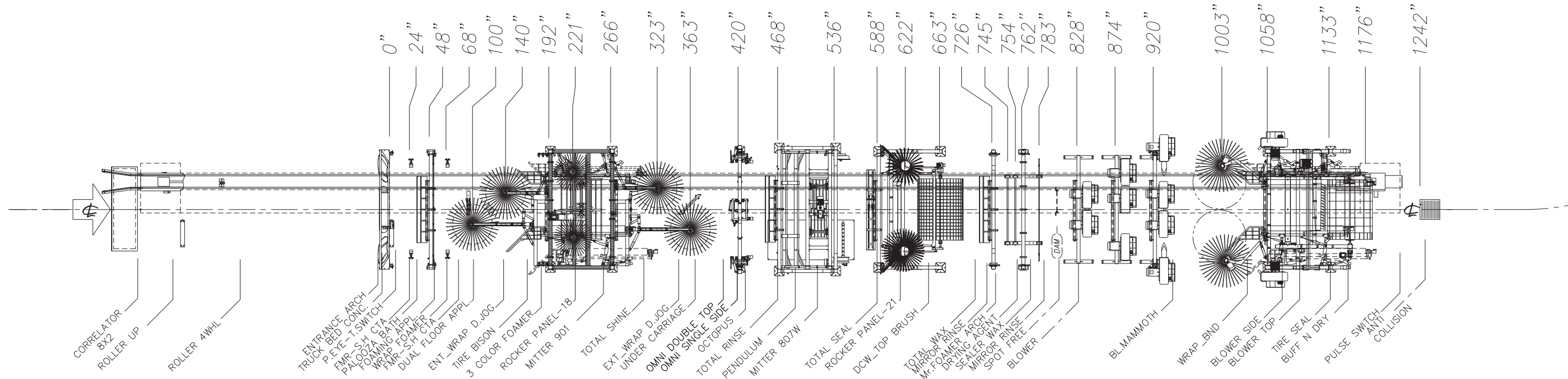
ELECTRICAL

© 2018 SONNY'S ENTERPRISES, INC. 5605 Hiatus Road, Tamarac, FL 33321 USA. TEL.800-327-8723

**DISCLAIMER**  
 ALTHOUGH BUILDING CODES HAVE BEEN CONSIDERED IN DEVELOPING THIS DRAWING, VERIFICATION OF SITE SPECIFIC CONDITIONS AND COMPLIANCE WITH FEDERAL, STATE AND LOCAL BUILDING CODES IS THE EXCLUSIVE RESPONSIBILITY OF THE CUSTOMER AND/OR ARCHITECT AND ENGINEER. THESE DRAWINGS REFLECT REQUIREMENTS FOR SONNY'S FURNISHED EQUIPMENT ONLY UNLESS OTHERWISE NOTED. PLEASE REFER TO OTHER MANUFACTURERS, IF ANY, FOR THEIR EQUIPMENT REQUIREMENTS.

**CONFIDENTIAL WARNING:**  
 THIS SHEET CONTAINS AND CONSTITUTES CONFIDENTIAL INFORMATION, IMAGES AND TRADE SECRETS OF SONNY'S ENTERPRISES INC. ANY UNAUTHORIZED USE OR DISCLOSURE OF ANY OR PORTION THEREOF, IS STRICTLY PROHIBITED. THIS WORK IS THE EXCLUSIVE PROPERTY OF SONNY'S ENTERPRISES INC. ALL RIGHTS RESERVED.

<b>CWP-125_FT-Generic</b>		Sheet	Rev.
SCALE: N.T.S.	LOCATION: FL	E.6	- + -



NOT FOR CONSTRUCTION UNTIL APPROVED BELOW.

APPROVED BY: \_\_\_\_\_ DATE \_\_\_\_\_

**DISCLAIMER**  
 ALTHOUGH BUILDING CODES HAVE BEEN CONSIDERED IN DEVELOPING THIS DRAWING, VERIFICATION OF SITE SPECIFIC CONDITIONS AND COMPLIANCE WITH FEDERAL, STATE AND LOCAL BUILDING CODES IS THE EXCLUSIVE RESPONSIBILITY OF THE CUSTOMER AND/OR ARCHITECT AND ENGINEER. THESE DRAWINGS REFLECT REQUIREMENTS FOR SONNY'S FURNISHED EQUIPMENT ONLY UNLESS OTHERWISE NOTED. PLEASE REFER TO OTHER MANUFACTURERS, IF ANY, FOR THEIR EQUIPMENT REQUIREMENTS.

**CONFIDENTIAL WARNING:**  
 THIS SHEET CONTAINS AND CONSTITUTES CONFIDENTIAL INFORMATION, IMAGES AND TRADE SECRETS OF SONNY'S ENTERPRISES INC. ANY UNAUTHORIZED USE OR DISCLOSURE OF ANY OR PORTION THEREOF, IS STRICTLY PROHIBITED. THIS WORK IS THE EXCLUSIVE PROPERTY OF SONNY'S ENTERPRISES INC. ALL RIGHTS RESERVED.

# CWP-125\_FT-Generic

SCALE: 3/32"=1' LOCATION: FL

Sheet	Rev.
E.7	- + -

TIMING DIMENSIONS

SONNY'S  
The CarWash Factory

http://www.SonnysDirect.com

© 2018 SONNY'S ENTERPRISES, INC. 5605 Hiatus Road, Tamarac, FL 33321 USA. TEL. 800-327-8723

DATE:	11.06.17
REVISION DATE:	04.18.18
CREATED BY:	LV
REVISED BY:	FAO
CHECKED BY:	Luis V.



## RELAY SCHEDULE INFORMATION

BLOCK	RELAY #	PROGRAM	PULSE ON	PROFILE	EXTEND	INTERLOCK	LOOK AHEAD	ITEM #	RELAY	TBD	
										TOP	BOTTOM
	1	D		C				18-B	CONVEYOR POWER PACK (HARD WIRE TO START)		
	1	D		C				22-E	WARNING HORN (HARD WIRE TO HORN IN MCC)		
	1	D		EV				11-B	WRAP BRUSH POWER PACK (HARD WIRE TO START)		
	1	D		EV				11-BB	WRAP BRUSH POWER PACK (HARD WIRE TO START)		
	1	D		EV				26-F	WRAP MOTOR_D.S (B&D) (HARD WIRE TO START)		
	1	D		EV				26-G	WRAP MOTOR_PS (B&D) (HARD WIRE TO START)		
	1	D		C				21-C	START ANTI COLLISION RESTART OR AUTO START		
	2	D		C				22-C	STOP & RESTART ALL STOP/ AUTO STOP		
	3	P		R				1-C	ROLLER UP SOLENOID	24V	
	4	D		EV	2			30-G	PKG. RECEIVED SIGN		120V
	5	D		EV	2			30-G	PKG. RECEIVED SIGN		120V
	6	D		EV	2			30-G	PKG. RECEIVED SIGN		120V
	7	D		R				1-AB	RECLAIM CONTROL		24DC
	8	P		TA	2			7-C	CTA SOLENOID #1	24V	
	9	D		EV	2			5-C	APPLICATOR #1 TOP SOLENOID	24V	
	10	D		EV	2			5-D	APPLICATOR #1 SIDE SOLENOID	24V	
	11	D		EV	2			6-G	TOTAL BATH SOLENOID	24V	
	12	D		EV	2			6-G	TOTAL BATH SOLENOID	24V	
	13	D		EV	2			6-G	TOTAL BATH SOLENOID	24V	
	14	D		TA	20			29-3	PIPE LIGHT (SIGN)		120V
	15	P		TA	2			7-D	CTA SOLENOID #2	24V	
	16	D		EV	2			5-E	FRONT APPLICATOR FLOOR SOLENOID	24V	
	17	D		EV	2			6-E	REAR APPLICATOR FLOOR SOLENOID	24V	
	18	D		EV	20			10-E	WRAP #1 RETRACT SOLENOID (D.S.)	24V	
	19	D		EV	20			10-F	WRAP #1 RETRACT SOLENOID (P.S.)	24V	
	20	D		EV	2			10-N	WRAP #1 FOAMER SOLENOID	24V	

DATE:	11.06.17
REVISION DATE:	04.18.18
CREATED BY:	LV
REVISED BY:	FAO
CHECKED BY:	Luis V.



ELECTRICAL; GC  
 RELAY SCHEDULE - #1  
 © 2018 SONNY'S ENTERPRISES, INC. 5605 Hiatus Road, Tamarac, FL. 33321 USA. TEL. 800-327-8723

**DISCLAIMER**  
 ALTHOUGH BUILDING CODES HAVE BEEN CONSIDERED IN DEVELOPING THIS DRAWING, VERIFICATION OF SITE SPECIFIC CONDITIONS AND COMPLIANCE WITH FEDERAL, STATE AND LOCAL BUILDING CODES IS THE EXCLUSIVE RESPONSIBILITY OF THE CUSTOMER AND/OR ARCHITECT AND ENGINEER. THESE DRAWINGS REFLECT REQUIREMENTS FOR SONNY'S FURNISHED EQUIPMENT ONLY UNLESS OTHERWISE NOTED. PLEASE REFER TO OTHER MANUFACTURERS, IF ANY, FOR THEIR EQUIPMENT REQUIREMENTS.

**CONFIDENTIAL WARNING:**  
 THIS SHEET CONTAINS AND CONSTITUTES CONFIDENTIAL INFORMATION, IMAGES AND TRADE SECRETS OF SONNY'S ENTERPRISES INC. ANY UNAUTHORIZED USE OR DISCLOSURE OF ANY OR PORTION THEREOF, IS STRICTLY PROHIBITED. THIS WORK IS THE EXCLUSIVE PROPERTY OF SONNY'S ENTERPRISES INC. ALL RIGHTS RESERVED.

CWP-125\_FT-Generic

SCALE: N.T.S.      LOCATION: FL

Sheet	Rev.
E.8	- + -





## RELAY SCHEDULE INFORMATION

BLOCK	RELAY #	PROGRAM	PULSE ON	PROFILE	EXTEND	INTERLOCK	LOOK AHEAD	ITEM #	RELAY	TBD	
										TOP	BOTTOM
	21	D		EV	2			10-J	WRAP #1 BRUSH WATER SOLENOID	24V	
	22	P		EV	2			14-F	COLOR FOAMER SOLENOID #1	24V	
	23	P		EV	2			14-G	COLOR FOAMER SOLENOID #2	24V	
	24	P		EV	2			14-H	COLOR FOAMER SOLENOID #3	24V	
	25	D		TA	20			29-3	PIPE LIGHT (SIGN)		120V
	26	D		EV	20			11-i	TBG_SFB POWER PACK		24DC
	27	D		EV	20			11-C	TIRE BRUSH RETRACT SOLENOID	24V	
	28	D		EV	20			11-E	TIRE BRUSH INWARD AIR SOLENOID	24V	
	29	D		EV	2			15-J	SIDE BRUSH- REC. SOLENOID	24V	
	30	D		EV	2			23-4	MITTER/MOTOR SFM901 (FB)		24DC
	31	D		EV	2			10-C	MITTER #1 WATER SOLENOID	24V	
	32	D		TA	20			29-3	PIPE LIGHT (SIGN)		120V
	33	P		EV	2			8-G	TOTAL SHINE SOLENOID	24V	
	34	D		EV	20			10-EE	WRAP #2 RETRACT SOLENOID (D.S.)	24V	
	35	D		EV	20			10-FF	WRAP #2 RETRACT SOLENOID (P.S.)	24V	
	36	D		EV	2			10-P	WRAP #2 FOAMER SOLENOID	24V	
	37	D		EV	2			10-K	WRAP #2 BRUSH WATER SOLENOID	24V	
	38	P		EV	22			10-B	UNDER CARRIAGE SOLENOID	24V	
	39	P		EV	20			29-B	UNDER CARRIAGE (SIGN)		120V
	40	D		EV	5	8		13-C	H-25 OMNI PUMP TOP (#1)		24DC
	41	P		EV	5	8		13-F	H-25 OMNI PUMP SIDE (#1)		24DC
	42	P		TA	5			13-D	OMNI SIDE FLIP SOLENOID	24V	
	43	P		RV	5			13-D	OMNI SIDE FLIP SOLENOID EXTENDED	24V	
	44	P		TA	5			13-E	OMNI TOP FLIP SOLENOID	24V	
	45	P		RV	5			13-E	OMNI TOP FLIP SOLENOID EXTENDED	24V	

DATE:	11.06.17
REVISION DATE:	04.18.18
CREATED BY:	LV
REVISED BY:	FAO
CHECKED BY:	Luis V.



ELECTRICAL; GC  
 RELAY SCHEDULE - #2  
 © 2018 SONNY'S ENTERPRISES, INC. 5605 Hiatus Road, Tamarac, FL 33321 USA. TEL. 800-327-8723

**DISCLAIMER**  
 ALTHOUGH BUILDING CODES HAVE BEEN CONSIDERED IN DEVELOPING THIS DRAWING, VERIFICATION OF SITE SPECIFIC CONDITIONS AND COMPLIANCE WITH FEDERAL, STATE AND LOCAL BUILDING CODES IS THE EXCLUSIVE RESPONSIBILITY OF THE CUSTOMER AND/OR ARCHITECT AND ENGINEER. THESE DRAWINGS REFLECT REQUIREMENTS FOR SONNY'S FURNISHED EQUIPMENT ONLY UNLESS OTHERWISE NOTED. PLEASE REFER TO OTHER MANUFACTURERS, IF ANY, FOR THEIR EQUIPMENT REQUIREMENTS.

**CONFIDENTIAL WARNING:**  
 THIS SHEET CONTAINS AND CONSTITUTES CONFIDENTIAL INFORMATION, IMAGES AND TRADE SECRETS OF SONNY'S ENTERPRISES INC. ANY UNAUTHORIZED USE OR DISCLOSURE OF ANY OR PORTION THEREOF, IS STRICTLY PROHIBITED. THIS WORK IS THE EXCLUSIVE PROPERTY OF SONNY'S ENTERPRISES INC. ALL RIGHTS RESERVED.

CWP-125\_FT-Generic

SCALE: N.T.S.      LOCATION: FL

Sheet	Rev.
E.9	- + -



## RELAY SCHEDULE INFORMATION

BLOCK	RELAY #	PROGRAM	PULSE ON	PROFILE	EXTEND	INTERLOCK	LOOK AHEAD	ITEM #	RELAY	TBD	
										TOP	BOTTOM
	46	P		EV	2			13-J	DIRECTIONAL SOLENOID VALVE	24V	
	47	D		EV	2		8	13-R	TOTAL RINSE BOOSTER PUMP		24DC
	48	D		TA	20			29-3	PIPE LIGHT (SIGN)		120V
	49	D		EV	2		8	13-M	H-25 PENDULUM PUMP		24DC
	50	D		EV	2			24-6	MITTER/MOTOR SFM807 (SS)		24DC
	51	D		EV	2			16-E	MITTER #2 WATER SOLENOID	24V	
	52	P		EV	2			14-J	TOTAL SEAL SOLENOID	24V	
	53	P		EV	2			14-J	TOTAL SEAL SOLENOID	24V	
	54	D		TA	20			29-3	PIPE LIGHT (SIGN)		120V
	55	D		EV	22			24-G	TOP BRUSH MOTOR		24DC
	56	D		EV	20			24-i	TOP BRUSH RETRACT SOLENOID	24V	
	57	D		EV	2			24-J	TOP BRUSH WATER SOLENOID	24V	
	58	D		EV	20			15-A	SIDE BRUSH POWER PACK		24DC
	59	D		EV	2			15-M	SIDE BRUSH 50- REC. SOLENOID	24V	
	60	P		EV	2			14-L	HOT WAX SOLENOID	24V	
	61	P		EV	2			14-L	HOT WAX SOLENOID	24V	
	62	P		EV	2			14-L	HOT WAX SOLENOID	24V	
	63	D		TA	20			29-3	PIPE LIGHT (SIGN)		120V
	64	D		EV	2			16-Q	MIRROR RINSE SOLENOID #2	24V	
	65	D		EV	2			16-B	DRYING AGENT/RINSE WAX SOLENOID	24V	
	66	P		EV	2			17-B	SEALER WAX SOLENOID	24V	
	67	P		EV	20			29-D	SEALER WAX (SIGN)		120V
	68	D		EV	2			16-i	MIRROR RINSE SOLENOID	24V	
	69	D		EV	2			17-H	SPOT FREE SOLENOID (RO & D.I.-OPT.)	24V	

DATE:	11.06.17	REVISION DATE:	04.18.18
CREATED BY:	LV	REVISED BY:	FAO
CHECKED BY:	Luis V.		



ELECTRICAL; GC  
 RELAY SCHEDULE - #3  
 © 2018 SONNY'S ENTERPRISES, INC. 5605 Hiatus Road, Tamarac, FL 33321 USA. TEL. 800-327-8723

**DISCLAIMER**  
 ALTHOUGH BUILDING CODES HAVE BEEN CONSIDERED IN DEVELOPING THIS DRAWING, VERIFICATION OF SITE SPECIFIC CONDITIONS AND COMPLIANCE WITH FEDERAL, STATE AND LOCAL BUILDING CODES IS THE EXCLUSIVE RESPONSIBILITY OF THE CUSTOMER AND/OR ARCHITECT AND ENGINEER. THESE DRAWINGS REFLECT REQUIREMENTS FOR SONNY'S FURNISHED EQUIPMENT ONLY UNLESS OTHERWISE NOTED. PLEASE REFER TO OTHER MANUFACTURERS, IF ANY, FOR THEIR EQUIPMENT REQUIREMENTS.

**CONFIDENTIAL WARNING:**  
 THIS SHEET CONTAINS AND CONSTITUTES CONFIDENTIAL INFORMATION, IMAGES AND TRADE SECRETS OF SONNY'S ENTERPRISES INC. ANY UNAUTHORIZED USE OR DISCLOSURE OF ANY OR PORTION THEREOF, IS STRICTLY PROHIBITED. THIS WORK IS THE EXCLUSIVE PROPERTY OF SONNY'S ENTERPRISES INC. ALL RIGHTS RESERVED.

CWP-125\_FT-Generic

SCALE: N.T.S.      LOCATION: FL

Sheet	Rev.
E.10	- + -



## RELAY SCHEDULE INFORMATION

BLOCK	RELAY #	PROGRAM	PULSE ON	PROFILE	EXTEND	INTERLOCK	LOOK AHEAD	ITEM #	RELAY NAME	LOCATION	
										TOP	BOTTOM
	70	D		EV	10		120	25-A	BLOWER MOTOR NO.1		24DC
	71	D		EV	10		120	25-B	BLOWER MOTOR NO.2		24DC
	72	D		EV	10			26-B	BLOWER (GATOR) SOLENOID (1)	24V	
	73	D		TA	20			29-3	PIPE LIGHT (SIGN)		120V
	74	D		EV	10		120	25-C	BLOWER MOTOR NO.3		24DC
	75	D		EV	10		120	25-D	BLOWER MOTOR NO.4		24DC
	76	D		EV	10		120	25-E	BLOWER MOTOR NO.5		24DC
	77	D		EV	10			26-B	BLOWER (GATOR) SOLENOID (2)	24V	
	78	D		TA	20			29-3	PIPE LIGHT (SIGN)		120V
	79	D		EV	10		120	25-F	BLOWER MOTOR NO.6		24DC
	80	D		EV	10		120	25-G	BLOWER MOTOR NO.7		24DC
	81	D		EV	10		120	25-H	BLOWER MOTOR NO.8		24DC
	82	D		EV	10		120	25-i	BLOWER MOTOR NO.9		24DC
	83	D		EV	10			26-B	BLOWER (GATOR) SOLENOID (3)	24V	
	84	D		EV	10			26-B	BLOWER (GATOR) SOLENOID (4)	24V	
	85	D		TA	20			29-3	PIPE LIGHT (SIGN)		120V
	86	D		EV	20			26-H	WRAP RETRACT SOLENOID (D.S.) (B&D)	24V	
	87	D		EV	20			26-i	WRAP RETRACT SOLENOID (P.S.) (B&D)	24V	
	88	D		EV	20			11-J	TIRE DRESSING POWER PACK		24DC
	90	P		EV	10			11-D	(T.S.A.) TIRE SHINE RETRACT SOLENOID	24V	
	91	D		EV	20			26-D	TOP BRUSH RETRACT SOLENOID_B&D	24V	
	92	D		EV	10		120	25-J	BLOWER MOTOR NO.10		24DC
	93	D		EV	10		120	25-K	BLOWER MOTOR NO.11		24DC
	94	D		EV	10		120	25-L	BLOWER MOTOR NO.12		24DC
	95	D		EV	10			26-B	BLOWER (GATOR) SOLENOID (5)	24V	
	96	D		EV	2			30-C	(WAIT & GO') INSTRUCTIONAL SIGN		120V

DATE:	11.06.17	REVISION DATE:	04.18.18
CREATED BY:	LV	REVISED BY:	FAO
CHECKED BY:	Luis V.		

http://www.SonnysDirect.com

ELECTRICAL; GC

RELAY SCHEDULE - #4

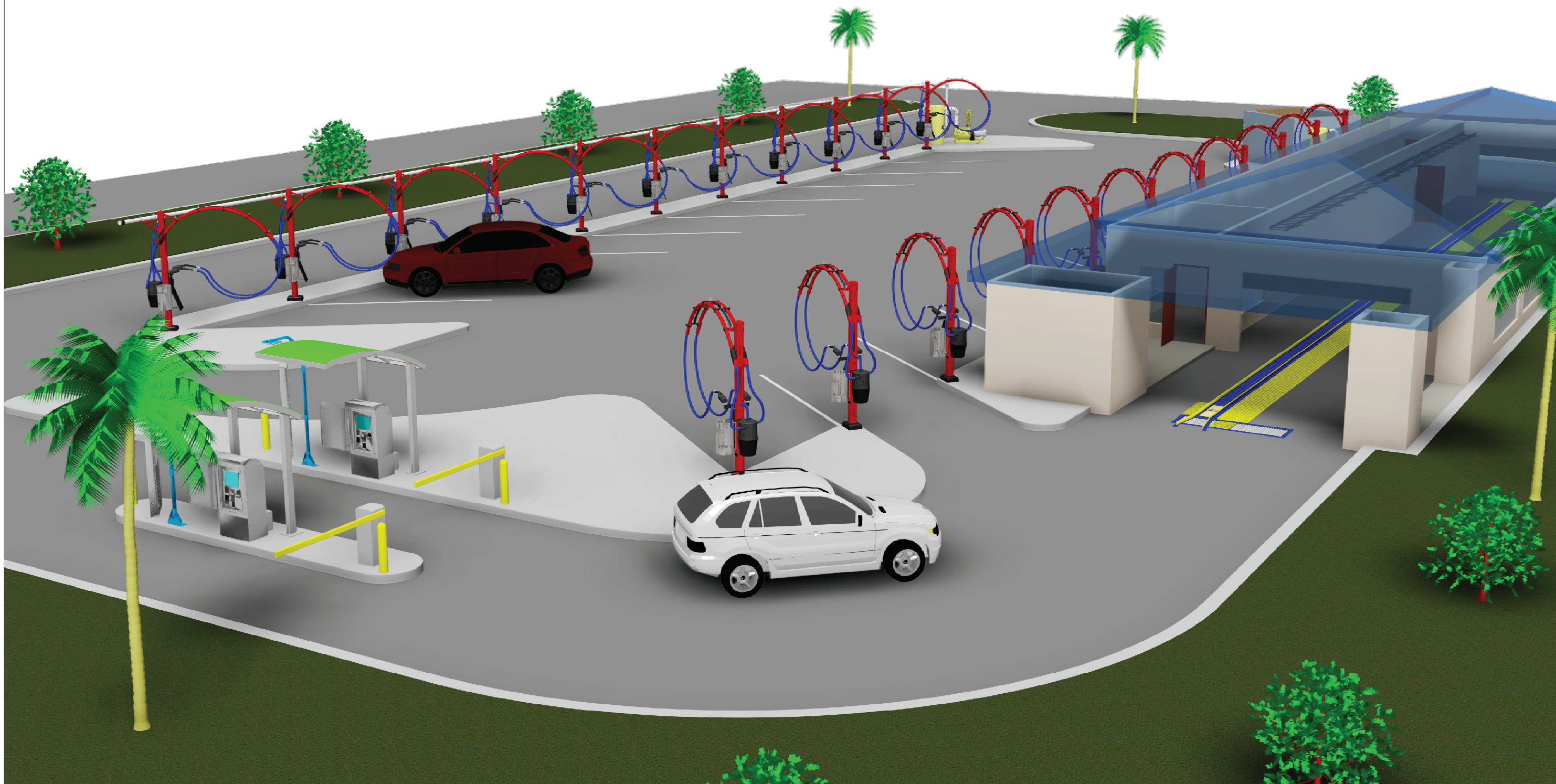
© 2018 SONNY'S ENTERPRISES, INC. 5605 Hiatus Road, Tamarac, FL 33321 USA. TEL.800-327-8723

**DISCLAIMER**  
ALTHOUGH BUILDING CODES HAVE BEEN CONSIDERED IN DEVELOPING THIS DRAWING, VERIFICATION OF SITE SPECIFIC CONDITIONS AND COMPLIANCE WITH FEDERAL, STATE AND LOCAL BUILDING CODES IS THE EXCLUSIVE RESPONSIBILITY OF THE CUSTOMER AND/OR ARCHITECT AND ENGINEER. THESE DRAWINGS REFLECT REQUIREMENTS FOR SONNY'S FURNISHED EQUIPMENT ONLY UNLESS OTHERWISE NOTED. PLEASE REFER TO OTHER MANUFACTURERS, IF ANY, FOR THEIR EQUIPMENT REQUIREMENTS.

**CONFIDENTIAL WARNING:**  
THIS SHEET CONTAINS AND CONSTITUTES CONFIDENTIAL INFORMATION, IMAGES AND TRADE SECRETS OF SONNY'S ENTERPRISES INC. ANY UNAUTHORIZED USE OR DISCLOSURE OF ANY OR PORTION THEREOF, IS STRICTLY PROHIBITED. THIS WORK IS THE EXCLUSIVE PROPERTY OF SONNY'S ENTERPRISES INC. ALL RIGHTS RESERVED.

CWP-125_FT-Generic	Sheet	Rev.	
SCALE: N.T.S.	LOCATION: FL	E.11	- + -





DATE:	11.06.17
REVISION DATE:	04.18.18
CREATED BY:	LV
REVISED BY:	FAO
CHECKED BY:	Luis V.

**SONNY'S**  
 The CarWash Factory

<http://www.SonnysDirect.com>

RENDERED POS LAYOUT  
 © 2018 SONNY'S ENTERPRISES, INC. 5605 Hiatus Road, Tamarac, FL 33321 USA. TEL: 800-327-8723



**DISCLAIMER**  
 ALTHOUGH BUILDING CODES HAVE BEEN CONSIDERED IN DEVELOPING THIS DRAWING, VERIFICATION OF SITE SPECIFIC CONDITIONS AND COMPLIANCE WITH FEDERAL, STATE AND LOCAL BUILDING CODES IS THE EXCLUSIVE RESPONSIBILITY OF THE CUSTOMER AND/OR ARCHITECT AND ENGINEER. THESE DRAWINGS REFLECT REQUIREMENTS FOR SONNY'S FURNISHED EQUIPMENT ONLY UNLESS OTHERWISE NOTED. PLEASE REFER TO OTHER MANUFACTURERS, IF ANY, FOR THEIR EQUIPMENT REQUIREMENTS.

**CONFIDENTIAL WARNING:**  
 THIS SHEET CONTAINS AND CONSTITUTES CONFIDENTIAL INFORMATION, IMAGES AND TRADE SECRETS OF SONNY'S ENTERPRISES INC. ANY UNAUTHORIZED USE OR DISCLOSURE OF ANY OR PORTION THEREOF, IS STRICTLY PROHIBITED. THIS WORK IS THE EXCLUSIVE PROPERTY OF SONNY'S ENTERPRISES INC. ALL RIGHTS RESERVED.

**CWP-125\_FT-Generic**

SCALE: N.T.S. LOCATION: FL

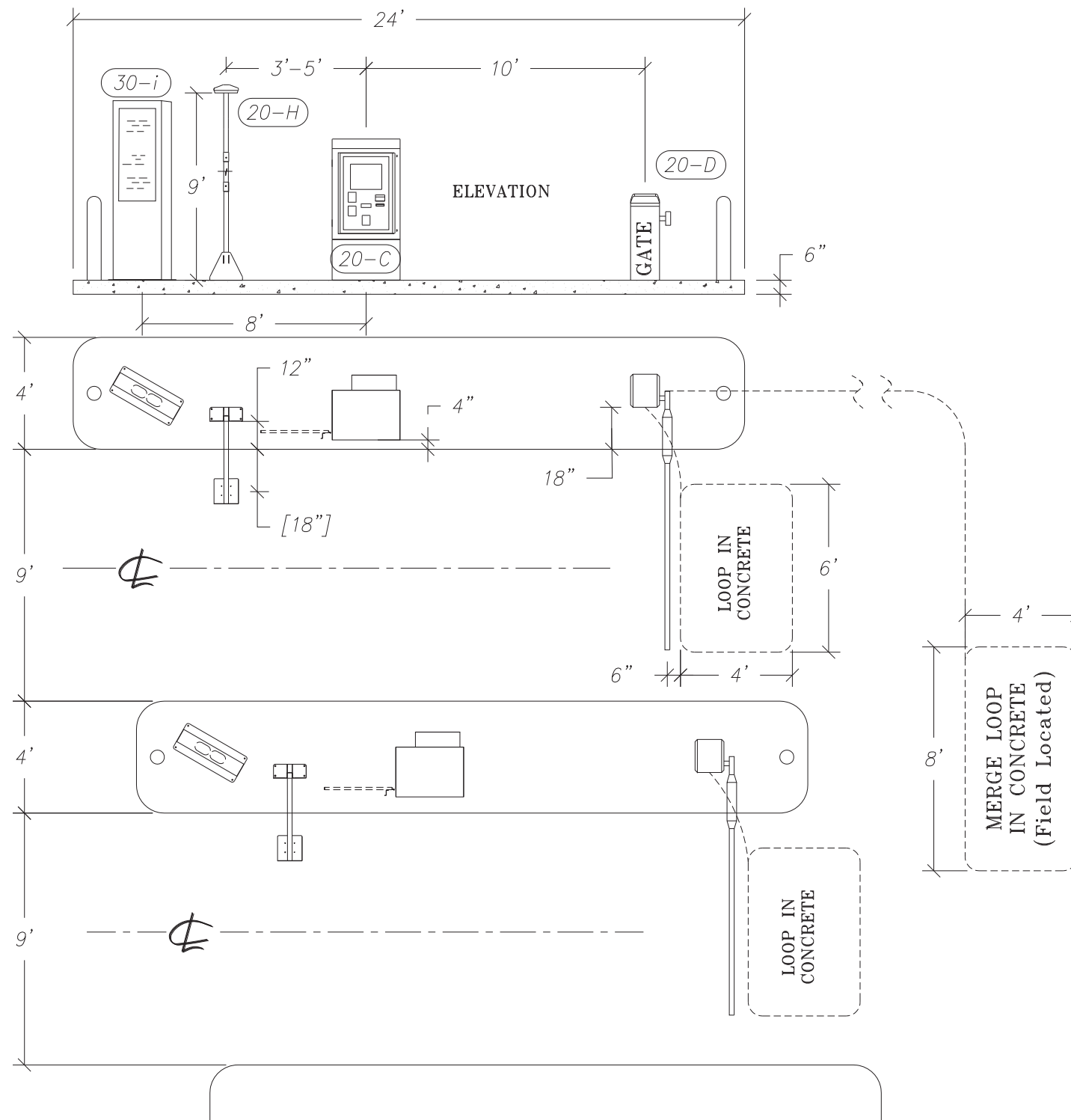
Sheet	Rev.
G.0	- + -



## BASIC-2 CarWash Controls & Gate Configuration by G.C.

**Notes:**

- 1)- Face of Sonny's-PS 4" from curb edge.
- 2)- Face of Gate 18" from curb edge.
- 3)- RFID should be 12" from curb edge.
- 4)- Curb should be 6" in height.
- 5)- Curb should have bollards (Ø4"X36" A.F.F.) at both ends to protect hardware.
- 6)- Sonny's-PS and gate should be no less than 9' and should not exceed 10'.
- 7)- Lanes between curbs should be no less than 9' (recommended) and should not exceed 12'.
- 8)- Loops provided by CarWash Controls Installation by G.C.



NOT FOR CONSTRUCTION UNTIL APPROVED BELOW.

APPROVED BY: \_\_\_\_\_ DATE: \_\_\_\_\_

**DISCLAIMER**  
ALTHOUGH BUILDING CODES HAVE BEEN CONSIDERED IN DEVELOPING THIS DRAWING, VERIFICATION OF SITE SPECIFIC CONDITIONS AND COMPLIANCE WITH FEDERAL, STATE AND LOCAL BUILDING CODES IS THE EXCLUSIVE RESPONSIBILITY OF THE CUSTOMER AND/OR ARCHITECT AND ENGINEER. THESE DRAWINGS REFLECT REQUIREMENTS FOR SONNY'S FURNISHED EQUIPMENT ONLY UNLESS OTHERWISE NOTED. PLEASE REFER TO OTHER MANUFACTURERS, IF ANY, FOR THEIR EQUIPMENT REQUIREMENTS.

**CONFIDENTIAL WARNING:**  
THIS SHEET CONTAINS AND CONSTITUTES CONFIDENTIAL INFORMATION, IMAGES AND TRADE SECRETS OF SONNY'S ENTERPRISES INC. ANY UNAUTHORIZED USE OR DISCLOSURE OF ANY OR PORTION THEREOF, IS STRICTLY PROHIBITED. THIS WORK IS THE EXCLUSIVE PROPERTY OF SONNY'S ENTERPRISES INC. ALL RIGHTS RESERVED.

CWP-125\_FT-Generic

SCALE: N.T.S. LOCATION: FL

Sheet	Rev.
G.1	- + -

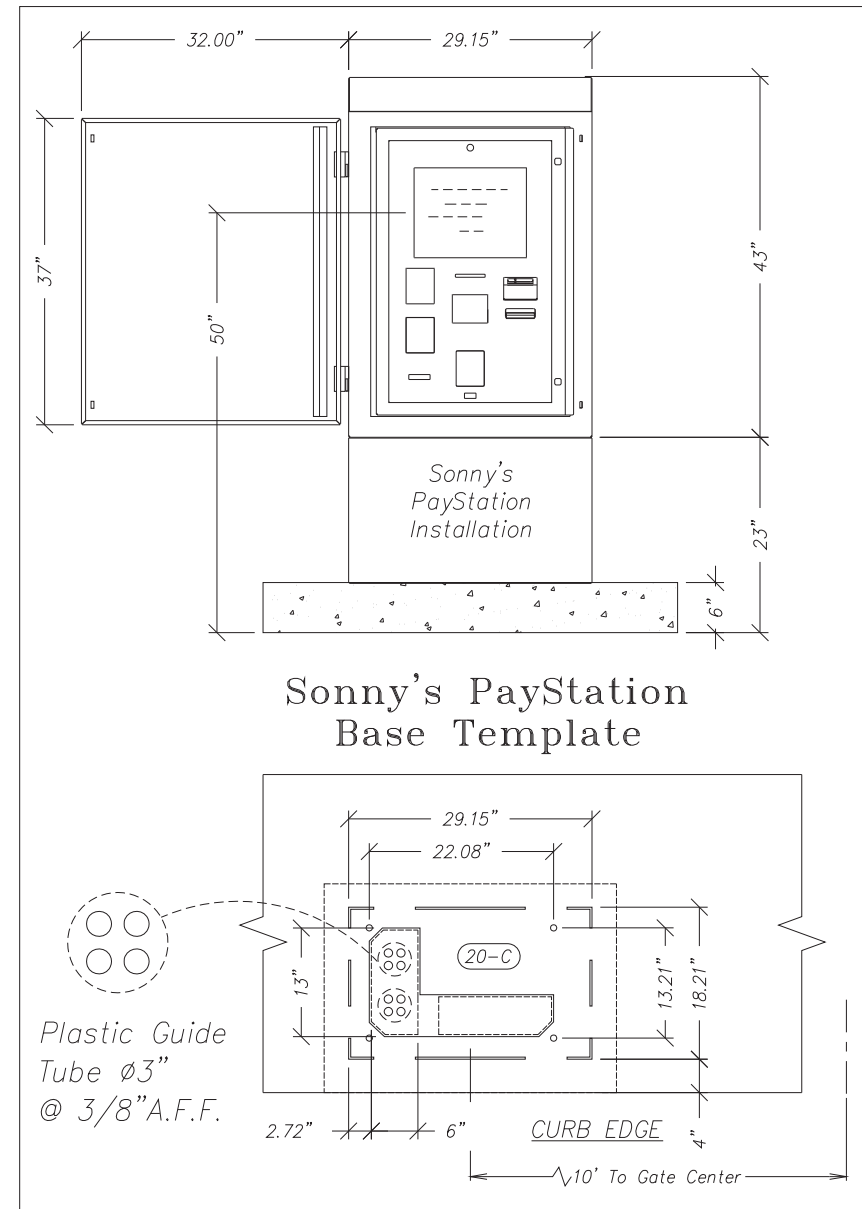
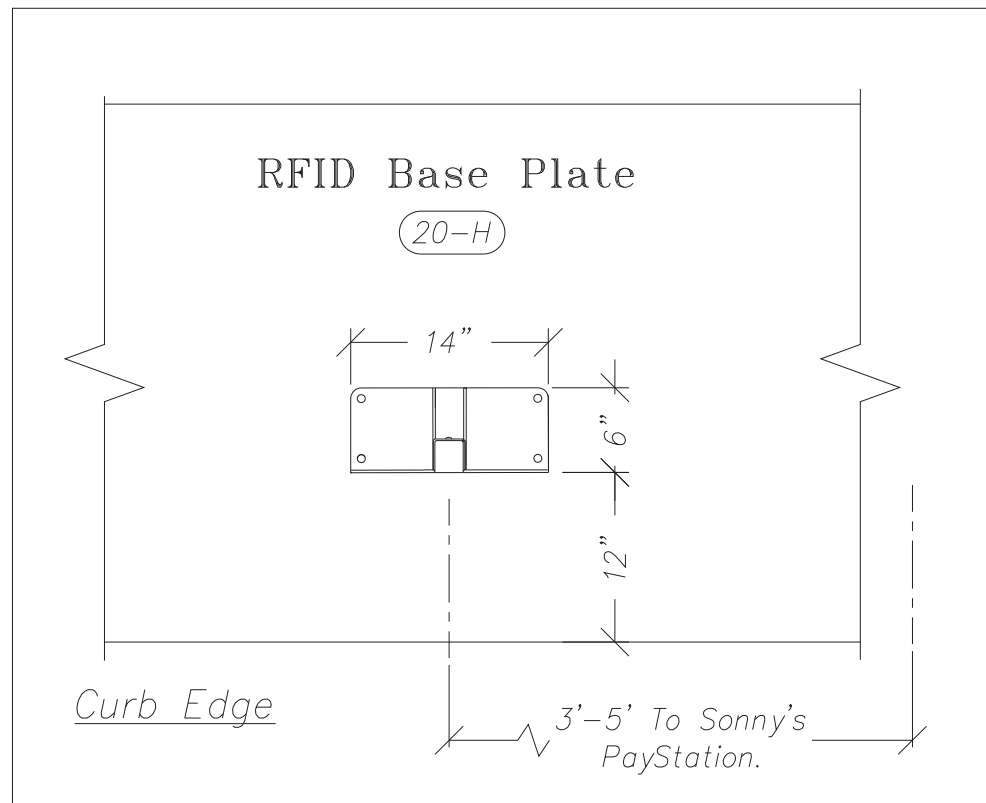
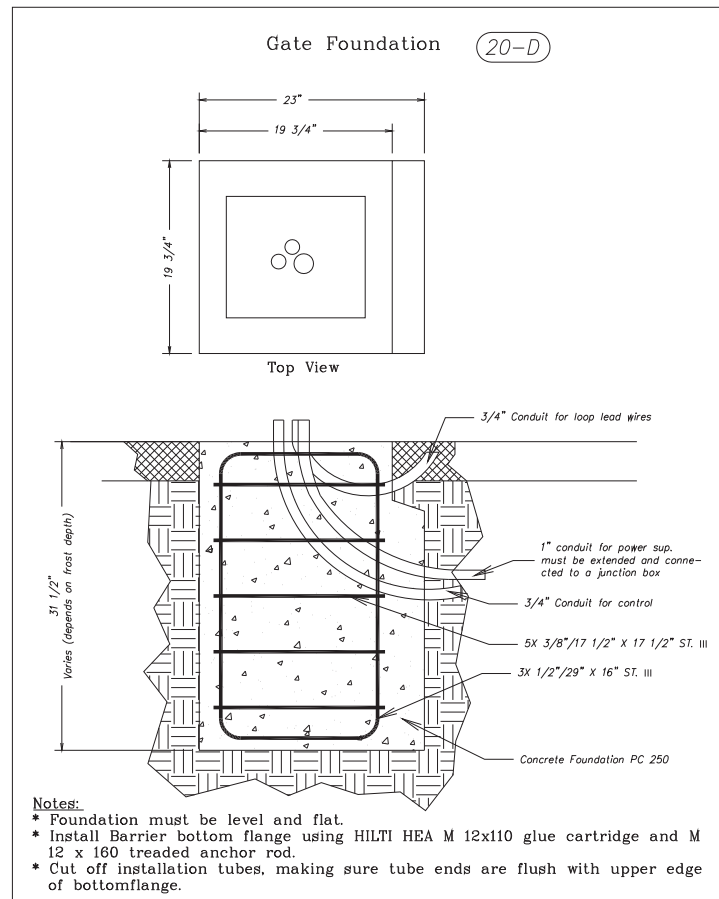
SCHEMATIC  
POS CONFIGURATION



http://www.SonnysDirect.com

© 2018 SONNY'S ENTERPRISES, INC. 5605 Hiatus Road, Tamarac, FL. 33321 USA. TEL.800-327-8723

DATE:	11.06.17	REVISION DATE:	04.18.18
CREATED BY:	LV	REVISED BY:	FAO
CHECKED BY:	Luis V.		



NOT FOR CONSTRUCTION UNTIL APPROVED BELOW.

APPROVED BY. \_\_\_\_\_ DATE \_\_\_\_\_

**DISCLAIMER**  
 ALTHOUGH BUILDING CODES HAVE BEEN CONSIDERED IN DEVELOPING THIS DRAWING, VERIFICATION OF SITE SPECIFIC CONDITIONS AND COMPLIANCE WITH FEDERAL, STATE AND LOCAL BUILDING CODES IS THE EXCLUSIVE RESPONSIBILITY OF THE CUSTOMER AND/OR ARCHITECT AND ENGINEER. THESE DRAWINGS REFLECT REQUIREMENTS FOR SONNY'S FURNISHED EQUIPMENT ONLY UNLESS OTHERWISE NOTED. PLEASE REFER TO OTHER MANUFACTURERS, IF ANY, FOR THEIR EQUIPMENT REQUIREMENTS.

**CONFIDENTIAL WARNING:**  
 THIS SHEET CONTAINS AND CONSTITUTES CONFIDENTIAL INFORMATION, IMAGES AND TRADE SECRETS OF SONNY'S ENTERPRISES INC. ANY UNAUTHORIZED USE OR DISCLOSURE OF ANY OR PORTION THEREOF, IS STRICTLY PROHIBITED. THIS WORK IS THE EXCLUSIVE PROPERTY OF SONNY'S ENTERPRISES INC. ALL RIGHTS RESERVED.

**CWP-125\_FT-Generic**  
 SCALE: N.T.S. LOCATION: FL

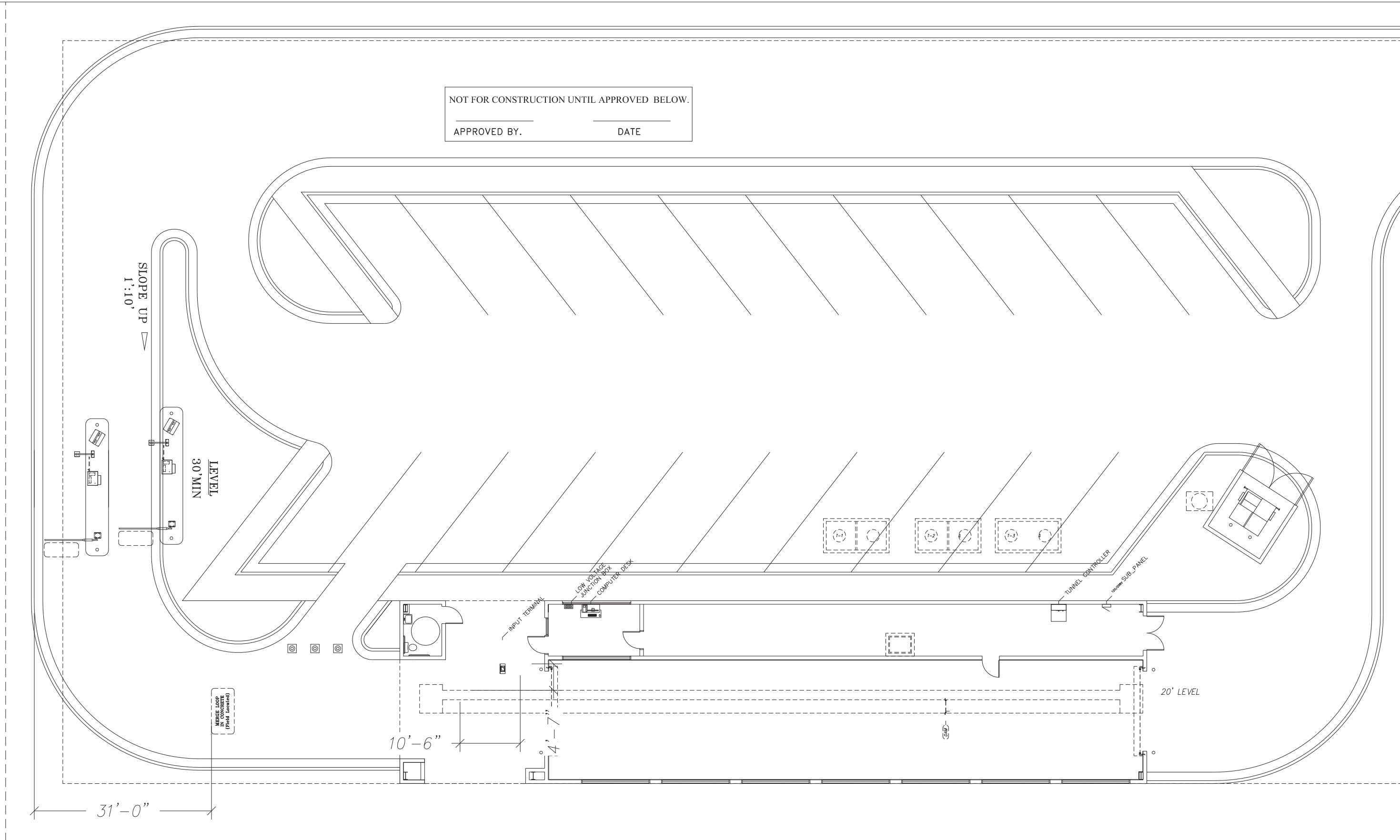
Sheet Rev.  
 G.2 - + -

POS ELECTRICAL LAYOUT; GC

DATE: 11.06.17 REVISION DATE: 04.18.18 CREATED BY: LV REVISED BY: FAO CHECKED BY: Luis V.

**SONNY'S**  
The CarWash Factory  
http://www.SonnysDirect.com

© 2018 SONNY'S ENTERPRISES, INC. 5605 Hiatus Road, Tamarac, FL. 33521 USA. TEL. 800-327-8723



NOT FOR CONSTRUCTION UNTIL APPROVED BELOW.

APPROVED BY. \_\_\_\_\_ DATE \_\_\_\_\_

**DISCLAIMER**  
 ALTHOUGH BUILDING CODES HAVE BEEN CONSIDERED IN DEVELOPING THIS DRAWING, VERIFICATION OF SITE SPECIFIC CONDITIONS AND COMPLIANCE WITH FEDERAL, STATE AND LOCAL BUILDING CODES IS THE EXCLUSIVE RESPONSIBILITY OF THE CUSTOMER AND/OR ARCHITECT AND ENGINEER. THESE DRAWINGS REFLECT REQUIREMENTS FOR SONNYS'S FURNISHED EQUIPMENT ONLY UNLESS OTHERWISE NOTED. PLEASE REFER TO OTHER MANUFACTURERS, IF ANY, FOR THEIR EQUIPMENT REQUIREMENTS.

**CONFIDENTIAL WARNING:**  
 THIS SHEET CONTAINS AND CONSTITUTES CONFIDENTIAL INFORMATION, IMAGES AND TRADE SECRETS OF SONNYS'S ENTERPRISES INC. ANY UNAUTHORIZED USE OR DISCLOSURE OF ANY OR PORTION THEREOF, IS STRICTLY PROHIBITED. THIS WORK IS THE EXCLUSIVE PROPERTY OF SONNYS'S ENTERPRISES INC. ALL RIGHTS RESERVED.

**CWP-125\_FT-Generic**  
 SCALE: 1/16"=1' LOCATION: FL

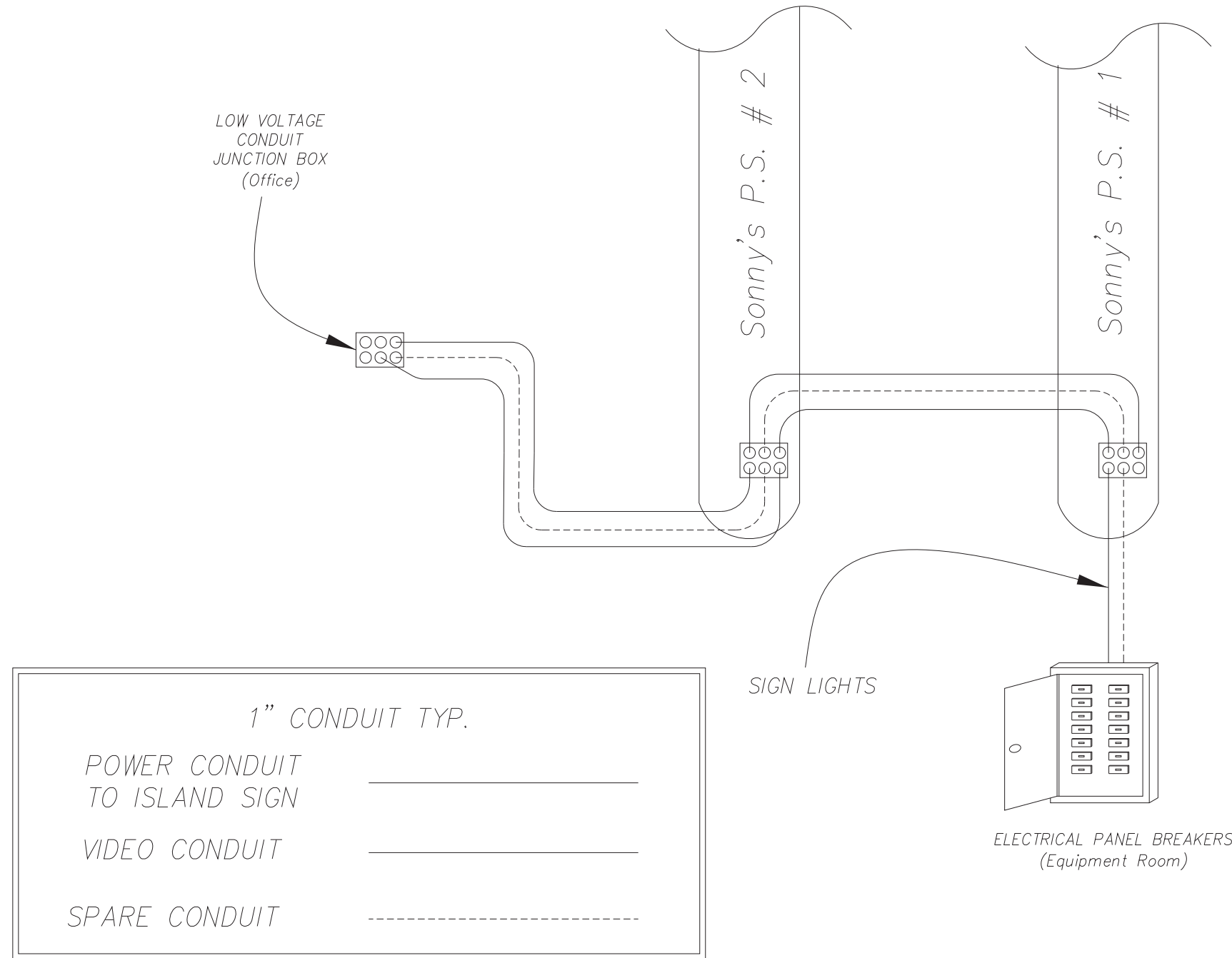
Sheet	Rev.
G.3	+-

POS ELECTRICAL LAYOUT; GC  
 © 2018 SONNYS'S ENTERPRISES, INC. 5605 Hiatus Road, Tamarac, FL. 33521 USA. TEL.800-327-8723  
<http://www.SonnysDirect.com>  
**SONNYS'S**  
 The CarWash Factory  
 DATE: 11.06.17  
 REVISION DATE: 04.18.18  
 CREATED BY: LV  
 REVISED BY: FAO  
 CHECKED BY: Luis V.



# GENERIC CARWASH

## 2-Sonny's P.S. LIGHTS AND CAMERA CONDUIT LAYOUT



NOT FOR CONSTRUCTION UNTIL APPROVED BELOW.

APPROVED BY: \_\_\_\_\_ DATE: \_\_\_\_\_

DATE:	11.06.17
REVISION DATE:	04.18.18
CREATED BY:	LV
REVISED BY:	FAO
CHECKED BY:	Luis V.

**SONNY'S**  
The CarWash Factory

http://www.SonnysDirect.com

CONDUIT DETAIL LAYOUT

© 2018 SONNY'S ENTERPRISES, INC. 5605 Hiatus Road, Tamarac, FL 33321 USA. TEL.800-327-8723

**DISCLAIMER**  
ALTHOUGH BUILDING CODES HAVE BEEN CONSIDERED IN DEVELOPING THIS DRAWING, VERIFICATION OF SITE SPECIFIC CONDITIONS AND COMPLIANCE WITH FEDERAL, STATE AND LOCAL BUILDING CODES IS THE EXCLUSIVE RESPONSIBILITY OF THE CUSTOMER AND/OR ARCHITECT AND ENGINEER. THESE DRAWINGS REFLECT REQUIREMENTS FOR SONNY'S FURNISHED EQUIPMENT ONLY UNLESS OTHERWISE NOTED. PLEASE REFER TO OTHER MANUFACTURERS, IF ANY, FOR THEIR EQUIPMENT REQUIREMENTS.

**CONFIDENTIAL WARNING:**  
THIS SHEET CONTAINS AND CONSTITUTES CONFIDENTIAL INFORMATION, IMAGES AND TRADE SECRETS OF SONNY'S ENTERPRISES INC. ANY UNAUTHORIZED USE OR DISCLOSURE OF ANY OR PORTION THEREOF, IS STRICTLY PROHIBITED. THIS WORK IS THE EXCLUSIVE PROPERTY OF SONNY'S ENTERPRISES INC. ALL RIGHTS RESERVED.

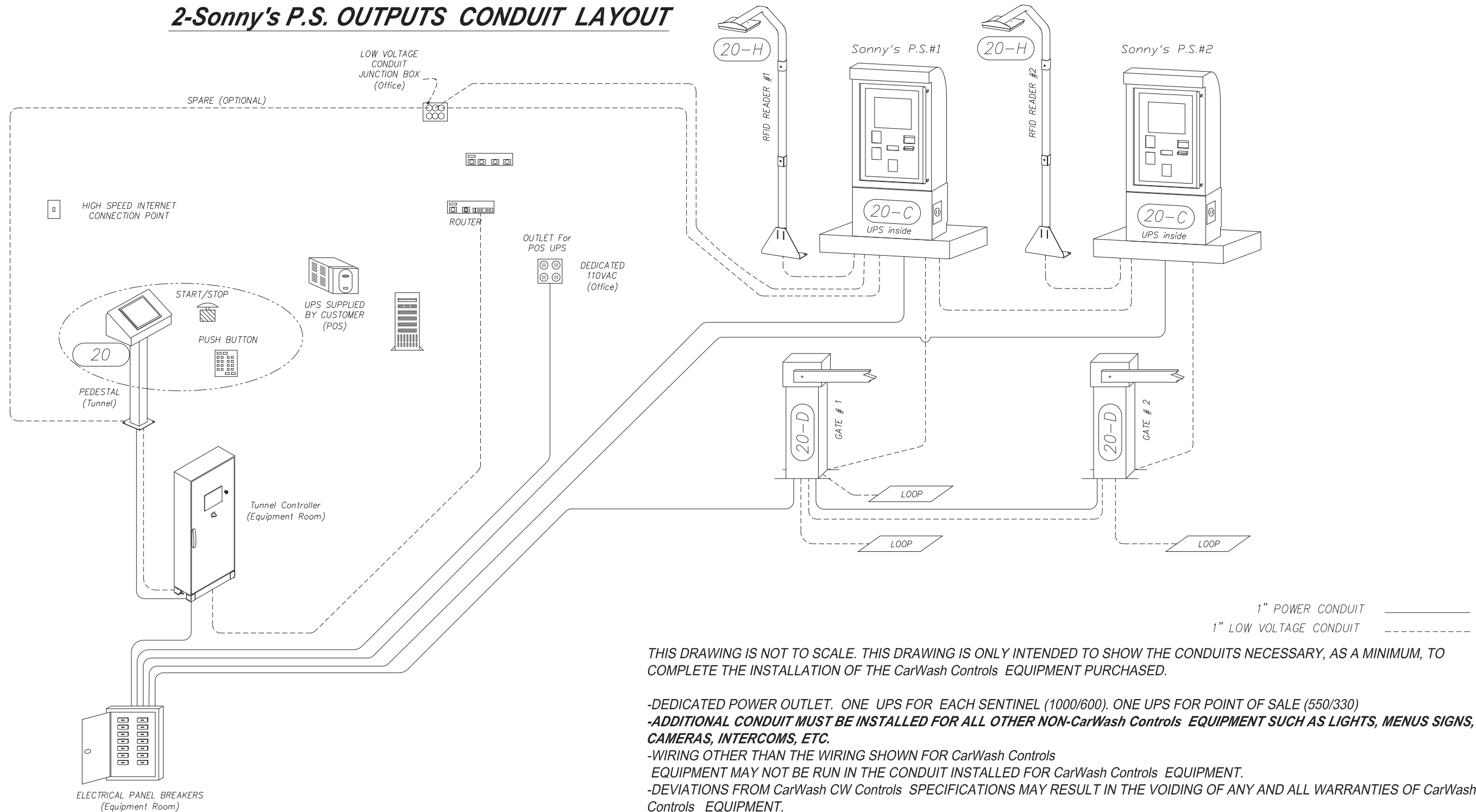
CWP-125\_FT-Generic

SCALE: N.T.S.      LOCATION: FL

Sheet	Rev.
G.4	- + -

# GENERIC CARWASH

## 2-Sonny's P.S. OUTPUTS CONDUIT LAYOUT



THIS DRAWING IS NOT TO SCALE. THIS DRAWING IS ONLY INTENDED TO SHOW THE CONDUITS NECESSARY, AS A MINIMUM, TO COMPLETE THE INSTALLATION OF THE CarWash Controls EQUIPMENT PURCHASED.

- DEDICATED POWER OUTLET. ONE UPS FOR EACH SENTINEL (1000/600). ONE UPS FOR POINT OF SALE (550/330)
- ADDITIONAL CONDUIT MUST BE INSTALLED FOR ALL OTHER NON-CarWash Controls EQUIPMENT SUCH AS LIGHTS, MENUS SIGNS, CAMERAS, INTERCOMS, ETC.
- WIRING OTHER THAN THE WIRING SHOWN FOR CarWash Controls EQUIPMENT MAY NOT BE RUN IN THE CONDUIT INSTALLED FOR CarWash Controls EQUIPMENT.
- DEVIATIONS FROM CarWash CW Controls SPECIFICATIONS MAY RESULT IN THE VOIDING OF ANY AND ALL WARRANTIES OF CarWash Controls EQUIPMENT.

1" POWER CONDUIT \_\_\_\_\_  
 1" LOW VOLTAGE CONDUIT - - - - -

DATE:	11.06.17
REVISION DATE:	04.18.18
CREATED BY:	LV
REVISED BY:	FAO
CHECKED BY:	Luis V.



POS CONDUIT LAYOUT  
 © 2018 SONNYS' ENTERPRISES, INC. 5605 Hiatus Road, Tamarac, FL. 33321 USA. TEL. 800-327-8723

**DISCLAIMER**  
 ALTHOUGH BUILDING CODES HAVE BEEN CONSIDERED IN DEVELOPING THIS DRAWING, VERIFICATION OF SITE SPECIFIC CONDITIONS AND COMPLIANCE WITH FEDERAL, STATE AND LOCAL BUILDING CODES IS THE EXCLUSIVE RESPONSIBILITY OF THE CUSTOMER AND/OR ARCHITECT AND ENGINEER. THESE DRAWINGS REFLECT REQUIREMENTS FOR SONNYS' FURNISHED EQUIPMENT ONLY UNLESS OTHERWISE NOTED. PLEASE REFER TO OTHER MANUFACTURERS, IF ANY, FOR THEIR EQUIPMENT REQUIREMENTS.

**CONFIDENTIAL WARNING:**  
 THIS SHEET CONTAINS AND CONSTITUTES CONFIDENTIAL INFORMATION, IMAGES AND TRADE SECRETS OF SONNYS' ENTERPRISES INC. ANY UNAUTHORIZED USE OR DISCLOSURE OF ANY OR PORTION THEREOF, IS STRICTLY PROHIBITED. THIS WORK IS THE EXCLUSIVE PROPERTY OF SONNYS' ENTERPRISES INC. ALL RIGHTS RESERVED.

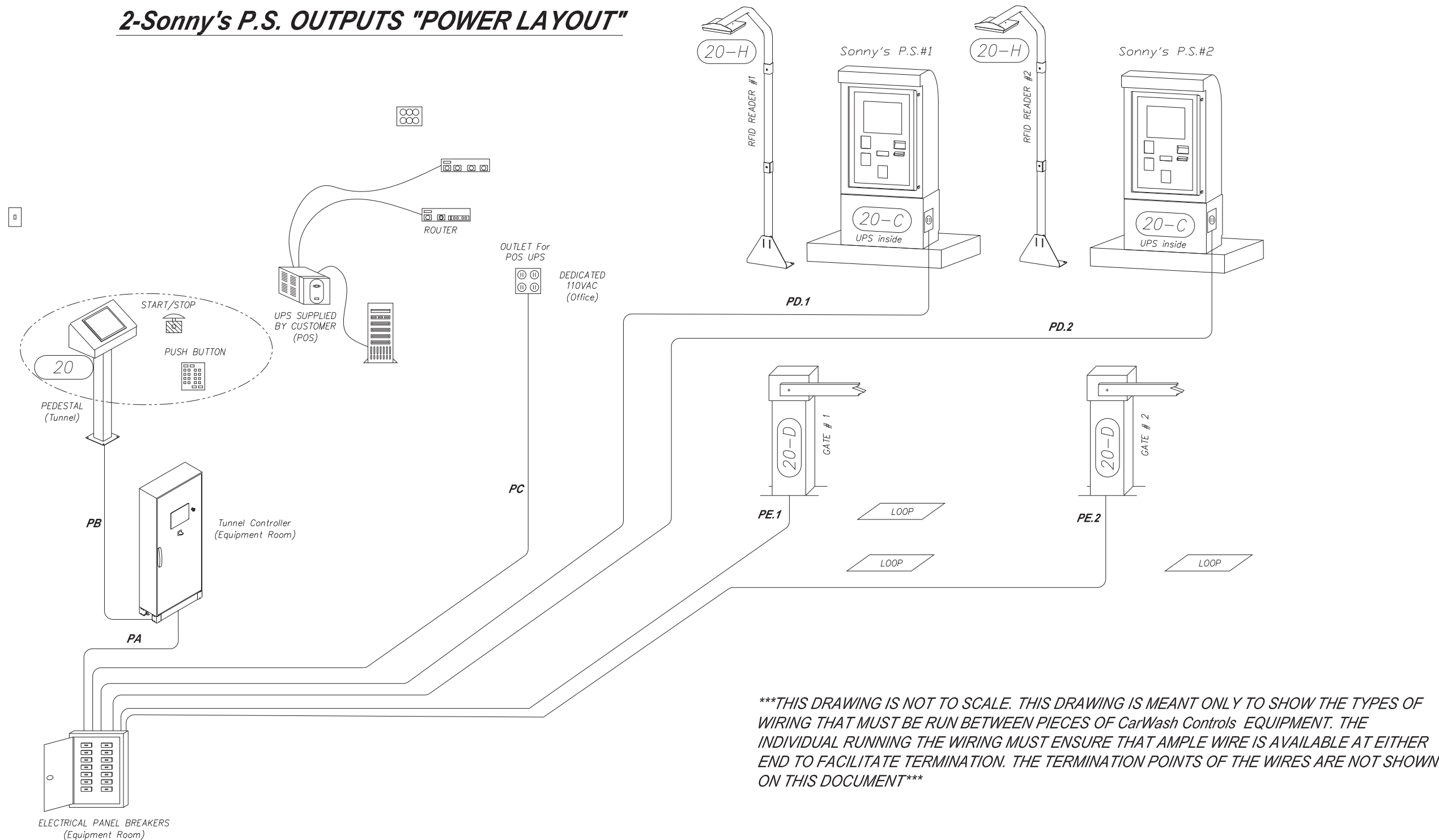
CWP-125\_FT-Generic

SCALE: N.T.S.      LOCATION: FL

Sheet	Rev.
G.5	- + -

## GENERIC CARWASH

### 2-Sonny's P.S. OUTPUTS "POWER LAYOUT"



DATE:	11.06.17
REVISION DATE:	04.18.18
CREATED BY:	LV
REVISED BY:	FAO
CHECKED BY:	Luis V.

**SONNY'S**  
The CarWash Factory

<http://www.SonnysDirect.com>

POS POWER LAYOUT  
 © 2018 SONNY'S ENTERPRISES, INC. 5605 Hiatus Road, Tamarac, FL. 33521 USA. TEL.800-327-8723

**DISCLAIMER**  
 ALTHOUGH BUILDING CODES HAVE BEEN CONSIDERED IN DEVELOPING THIS DRAWING, VERIFICATION OF SITE SPECIFIC CONDITIONS AND COMPLIANCE WITH FEDERAL, STATE AND LOCAL BUILDING CODES IS THE EXCLUSIVE RESPONSIBILITY OF THE CUSTOMER AND/OR ARCHITECT AND ENGINEER. THESE DRAWINGS REFLECT REQUIREMENTS FOR SONNY'S FURNISHED EQUIPMENT ONLY UNLESS OTHERWISE NOTED. PLEASE REFER TO OTHER MANUFACTURERS, IF ANY, FOR THEIR EQUIPMENT REQUIREMENTS.

**CONFIDENTIAL WARNING:**  
 THIS SHEET CONTAINS AND CONSTITUTES CONFIDENTIAL INFORMATION, IMAGES AND TRADE SECRETS OF SONNY'S ENTERPRISES INC. ANY UNAUTHORIZED USE OR DISCLOSURE OF ANY OR PORTION THEREOF, IS STRICTLY PROHIBITED. THIS WORK IS THE EXCLUSIVE PROPERTY OF SONNY'S ENTERPRISES INC. ALL RIGHTS RESERVED.

<b>CWP-125_FT-Generic</b>	
SCALE: N.T.S.	LOCATION: FL
Sheet	Rev.
G.6	- + -

**GENERIC CARWASH**  
**2-Sonny's P.S. OUTPUTS "POWER LAYOUT"**

IDENTIFIER	WIRE TYPE	PROVIDED BY	TERMINATION LOCATIONS	TERMINATED BY
PA	12/3 BLK/WHT/GRN	GC	FROM ELECTRICAL PANEL BREAKER TO TUNNEL CONTROLLER (110 VAC)	GC
PB	14/3 BLK/WHT/GRN	GC	FROM TUNNEL CONTROLLER TO PUSH BUTTON PEDESTAL (24 VDC)	GC
PC	12/3 BLK/WHT/GRN	GC	FROM ELECTRICAL PANEL BREAKER TO OFFICE OUTLET (POS)	GC
PD.1	12/3 BLK/WHT/GRN	GC	FROM ELECTRICAL PANEL BREAKER TO Sonny's P.S.#1 (UPS Inside)	GC
PD.2	12/3 BLK/WHT/GRN	GC	FROM ELECTRICAL PANEL BREAKER TO Sonny's P.S.#2 (UPS Inside)	GC
PE.1	12/3 BLK/WHT/GRN	GC	FROM ELECTRICAL PANEL BREAKER TO GATE#1 (110 VAC)	GC
PE.2	12/3 BLK/WHT/GRN	GC	FROM ELECTRICAL PANEL BREAKER TO GATE#2 (110 VAC)	GC

NOTE: ALL WIRING FOR CarWash Controls EQUIPMENT TO BE RUN BY AN ELECTRICAL CONTRACTOR AND MUST BE HOME-RUNNED FROM POINT TO POINT. SPLICING OF WIRES IS NOT ALLOWED.

DATE:	11.06.17
REVISION DATE:	04.18.18
CREATED BY:	LV
REVISED BY:	FAO
CHECKED BY:	Luis V.



POS POWER SCHEDULE

© 2018 SONNY'S ENTERPRISES, INC. 5605 Hiatus Road, Tamarac, FL 33321 USA. TEL.800-327-8723

**DISCLAIMER**  
 ALTHOUGH BUILDING CODES HAVE BEEN CONSIDERED IN DEVELOPING THIS DRAWING, VERIFICATION OF SITE SPECIFIC CONDITIONS AND COMPLIANCE WITH FEDERAL, STATE AND LOCAL BUILDING CODES IS THE EXCLUSIVE RESPONSIBILITY OF THE CUSTOMER AND/OR ARCHITECT AND ENGINEER. THESE DRAWINGS REFLECT REQUIREMENTS FOR SONNY'S FURNISHED EQUIPMENT ONLY UNLESS OTHERWISE NOTED. PLEASE REFER TO OTHER MANUFACTURERS, IF ANY, FOR THEIR EQUIPMENT REQUIREMENTS.

**CONFIDENTIAL WARNING:**  
 THIS SHEET CONTAINS AND CONSTITUTES CONFIDENTIAL INFORMATION, IMAGES AND TRADE SECRETS OF SONNY'S ENTERPRISES INC. ANY UNAUTHORIZED USE OR DISCLOSURE OF ANY OR PORTION THEREOF, IS STRICTLY PROHIBITED. THIS WORK IS THE EXCLUSIVE PROPERTY OF SONNY'S ENTERPRISES INC. ALL RIGHTS RESERVED.

**CWP-125\_FT-Generic**

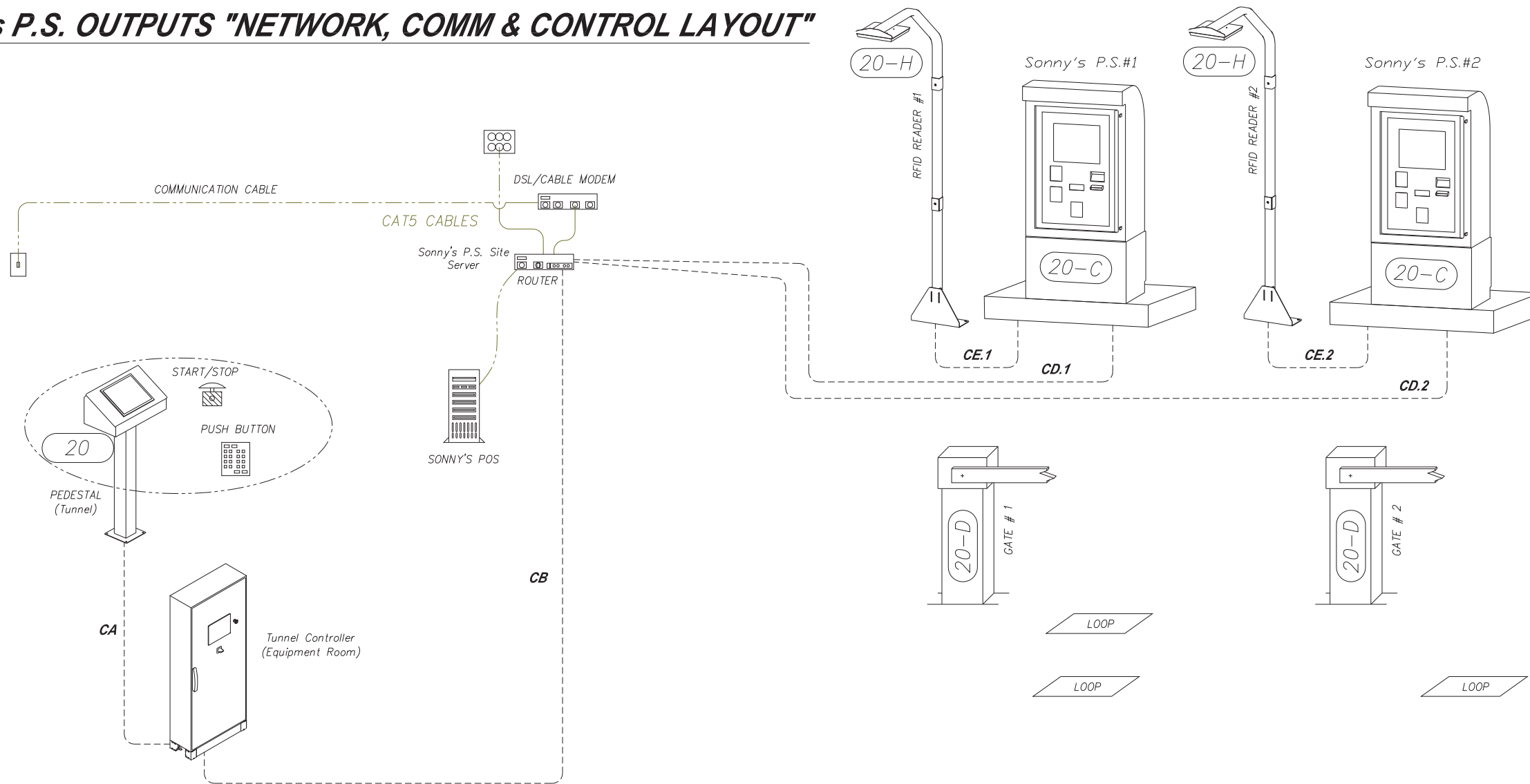
SCALE: N.T.S.      LOCATION: FL

Sheet	Rev.
G.7	- + -



## GENERIC CARWASH

### 2-Sonny's P.S. OUTPUTS "NETWORK, COMM & CONTROL LAYOUT"



\*\*\*THIS DRAWING IS NOT TO SCALE. THIS DRAWING IS MEANT ONLY TO SHOW THE TYPES OF WIRING THAT MUST BE RUN BETWEEN PIECES OF CarWash Controls EQUIPMENT. THE INDIVIDUAL RUNNING THE WIRING MUST ENSURE THAT AMPLE WIRE IS AVAILABLE AT EITHER END TO FACILITATE TERMINATION. THE TERMINATION POINTS OF THE WIRES ARE NOT SHOWN ON THIS DOCUMENT\*\*\*

DATE:	11.06.17
REVISION DATE:	04.18.18
CREATED BY:	LV
REVISED BY:	FAO
CHECKED BY:	Luis V.

**SONNY'S**  
The CarWash Factory

<http://www.SonnysDirect.com>

POS COMMUNICATION LAYOUT

© 2018 SONNY'S ENTERPRISES, INC. 5605 Hiatus Road, Tamarac, FL. 33321 USA. TEL. 800-327-8723

**DISCLAIMER**  
ALTHOUGH BUILDING CODES HAVE BEEN CONSIDERED IN DEVELOPING THIS DRAWING, VERIFICATION OF SITE SPECIFIC CONDITIONS AND COMPLIANCE WITH FEDERAL, STATE AND LOCAL BUILDING CODES IS THE EXCLUSIVE RESPONSIBILITY OF THE CUSTOMER AND/OR ARCHITECT AND ENGINEER. THESE DRAWINGS REFLECT REQUIREMENTS FOR SONNY'S FURNISHED EQUIPMENT ONLY UNLESS OTHERWISE NOTED. PLEASE REFER TO OTHER MANUFACTURERS, IF ANY, FOR THEIR EQUIPMENT REQUIREMENTS.

**CONFIDENTIAL WARNING:**  
THIS SHEET CONTAINS AND CONSTITUTES CONFIDENTIAL INFORMATION, IMAGES AND TRADE SECRETS OF SONNY'S ENTERPRISES INC. ANY UNAUTHORIZED USE OR DISCLOSURE OF ANY OR PORTION THEREOF, IS STRICTLY PROHIBITED. THIS WORK IS THE EXCLUSIVE PROPERTY OF SONNY'S ENTERPRISES INC. ALL RIGHTS RESERVED.

CWP-125\_FT-Generic

SCALE: N.T.S.      LOCATION: FL

Sheet	Rev.
G.8	- + -

**GENERIC CARWASH**  
**2-Sonny's P.S. OUTPUTS "NETWORK, COMM & CONTROL LAYOUT"**

IDENTIFIER	WIRE TYPE	PROVIDED BY	TERMINATION LOCATIONS	TERMINATED BY
CA	CAT5 SHIELDED	GC	FROM TUNNEL CONTROLLER TO PUSH BUTTON (PEDESTAL)	GC
CB	CAT5 SHIELDED	GC	FROM ROUTER TO TUNNEL CONTROLLER	GC
CD.1	CAT5	GC	FROM ROUTER TO Sonny's P.S.#1	GC
CD.2	CAT5	GC	FROM ROUTER TO Sonny's P.S.#2	GC
CE.1	See Manual/ Included	SONNYS	FROM RFID#1 TO Sonny's P.S.#1	GC
CE.2	See Manual/ Included	SONNYS	FROM RFID#2 TO Sonny's P.S.#2	GC

NOTE: ALL WIRING FOR CarWash Controls EQUIPMENT TO BE RUN BY AN ELECTRICAL CONTRACTOR AND MUST BE HOME-RUNNED FROM POINT TO POINT. SPLICING OF WIRES IS NOT ALLOWED.

DATE:	11.06.17
REVISION DATE:	04.18.18
CREATED BY:	LV
REVISED BY:	FAO
CHECKED BY:	Luis V.



POS COMMUNICATION SCHEDULE

© 2018 SONNY'S ENTERPRISES, INC. 5605 Hiatus Road, Tamarac, FL 33321 USA. TEL.800-327-8723

**DISCLAIMER**  
 ALTHOUGH BUILDING CODES HAVE BEEN CONSIDERED IN DEVELOPING THIS DRAWING, VERIFICATION OF SITE SPECIFIC CONDITIONS AND COMPLIANCE WITH FEDERAL, STATE AND LOCAL BUILDING CODES IS THE EXCLUSIVE RESPONSIBILITY OF THE CUSTOMER AND/OR ARCHITECT AND ENGINEER. THESE DRAWINGS REFLECT REQUIREMENTS FOR SONNY'S FURNISHED EQUIPMENT ONLY UNLESS OTHERWISE NOTED. PLEASE REFER TO OTHER MANUFACTURERS, IF ANY, FOR THEIR EQUIPMENT REQUIREMENTS.

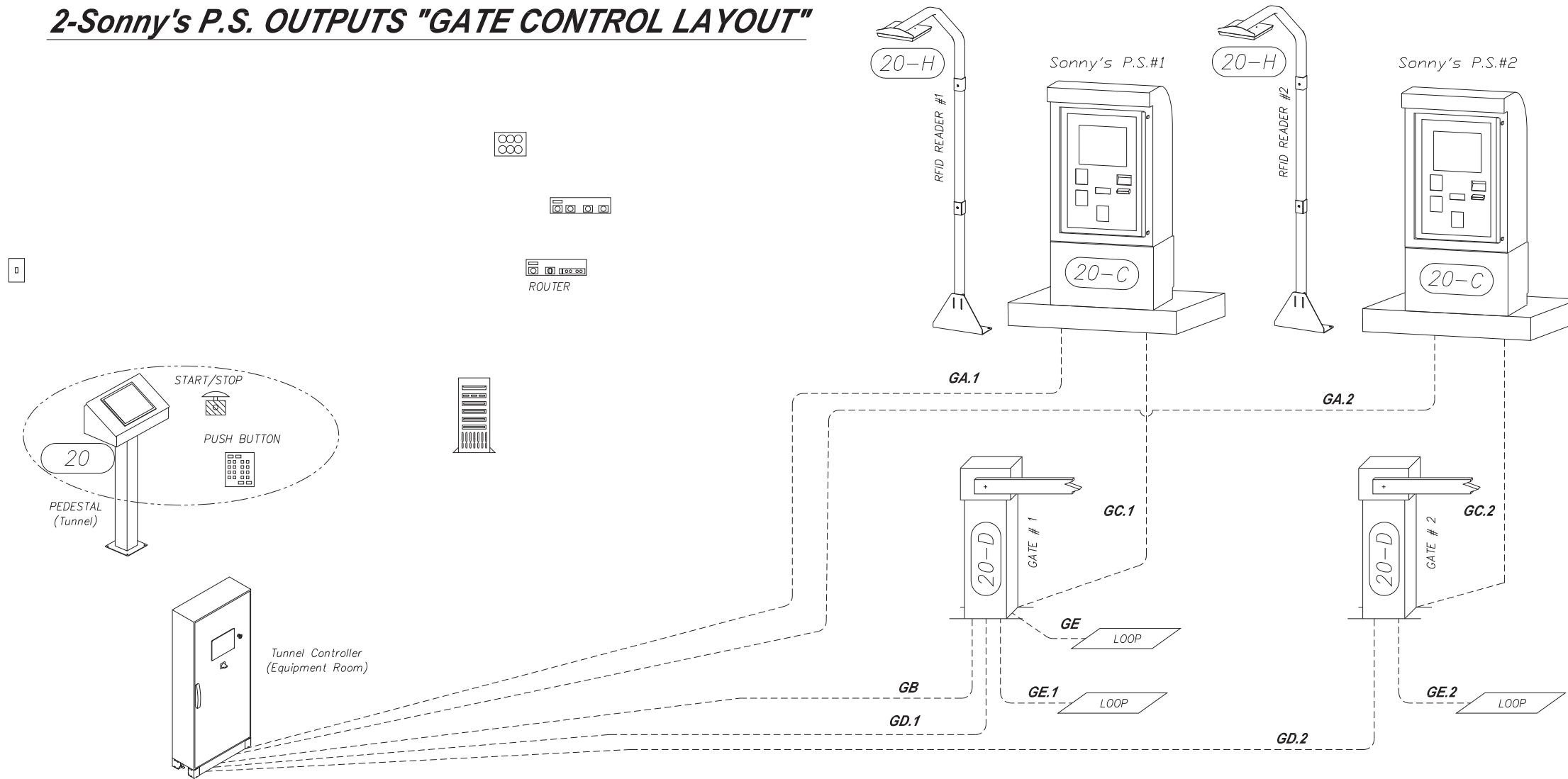
**CONFIDENTIAL WARNING:**  
 THIS SHEET CONTAINS AND CONSTITUTES CONFIDENTIAL INFORMATION, IMAGES AND TRADE SECRETS OF SONNY'S ENTERPRISES INC. ANY UNAUTHORIZED USE OR DISCLOSURE OF ANY OR PORTION THEREOF, IS STRICTLY PROHIBITED. THIS WORK IS THE EXCLUSIVE PROPERTY OF SONNY'S ENTERPRISES INC. ALL RIGHTS RESERVED.

**CWP-125\_FT-Generic**

SCALE: N.T.S. LOCATION: FL

Sheet	Rev.
G.9	- + -

## GENERIC CARWASH 2-Sonny's P.S. OUTPUTS "GATE CONTROL LAYOUT"



\*\*\*THIS DRAWING IS NOT TO SCALE. THIS DRAWING IS MEANT ONLY TO SHOW THE TYPES OF WIRING THAT MUST BE RUN BETWEEN PIECES OF CarWash Controls EQUIPMENT. THE INDIVIDUAL RUNNING THE WIRING MUST ENSURE THAT AMPLE WIRE IS AVAILABLE AT EITHER END TO FACILITATE TERMINATION. THE TERMINATION POINTS OF THE WIRES ARE NOT SHOWN ON THIS DOCUMENT\*\*\*

**DISCLAIMER**  
ALTHOUGH BUILDING CODES HAVE BEEN CONSIDERED IN DEVELOPING THIS DRAWING, VERIFICATION OF SITE SPECIFIC CONDITIONS AND COMPLIANCE WITH FEDERAL, STATE AND LOCAL BUILDING CODES IS THE EXCLUSIVE RESPONSIBILITY OF THE CUSTOMER AND/OR ARCHITECT AND ENGINEER. THESE DRAWINGS REFLECT REQUIREMENTS FOR SONNY'S FURNISHED EQUIPMENT ONLY UNLESS OTHERWISE NOTED. PLEASE REFER TO OTHER MANUFACTURERS, IF ANY, FOR THEIR EQUIPMENT REQUIREMENTS.

**CONFIDENTIAL WARNING:**  
THIS SHEET CONTAINS AND CONSTITUTES CONFIDENTIAL INFORMATION, IMAGES AND TRADE SECRETS OF SONNY'S ENTERPRISES INC. ANY UNAUTHORIZED USE OR DISCLOSURE OF ANY OR PORTION THEREOF, IS STRICTLY PROHIBITED. THIS WORK IS THE EXCLUSIVE PROPERTY OF SONNY'S ENTERPRISES INC. ALL RIGHTS RESERVED.

**CWP-125\_FT-Generic**

SCALE: N.T.S.

LOCATION: FL

Sheet	Rev.
G.10	+-

POS GATE CONTROL LAYOUT



http://www.SonnysDirect.com

© 2018 SONNY'S ENTERPRISES, INC. 5605 Hiatus Road, Tamarac, FL. 33321 USA. TEL. 800-327-8723

DATE:	11.06.17
REVISION DATE:	04.18.18
CREATED BY:	LV
REVISED BY:	FAO
CHECKED BY:	Luis V.

**GENERIC CARWASH**  
**2-Sonny's P.S. OUTPUTS "GATE CONTROL LAYOUT"**

IDENTIFIER	WIRE TYPE	PROVIDED BY	TERMINATION LOCATIONS	TERMINATED BY
GA.1	18/4 (2 SIGNAL/2 SPARE)	GC	FROM TUNNEL CONTROLLER TO Sonny's P.S.#1	GC
GA.2	18/4 (2 SIGNAL/2 SPARE)	GC	FROM TUNNEL CONTROLLER TO Sonny's P.S.#2	GC
GB	18/2	GC	FROM TUNNEL CONTROLLER TO GATE#1 (MERGE LOOP)	GC
GC.1	18/4 (2 SIGNAL/2 SPARE)	GC	FROM Sonny's P.S. #1 TO GATE#1	GC
GC.2	18/4 (2 SIGNAL/2 SPARE)	GC	FROM Sonny's P.S. #2 TO GATE#2	GC
GD.1	18/6	GC	FROM TUNNEL CONTROLLER TO GATE#1	GC
GD.2	18/6	GC	FROM TUNNEL CONTROLLER TO GATE#2	GC
GE	See Manual	SONNYS	FROM GATE#1 TO MERGE LOOP	GC
GE.1	See Manual	SONNYS	FROM GATE#1 TO LOOP#1	GC
GE.2	See Manual	SONNYS	FROM GATE#2 TO LOOP#2	GC

NOTE: ALL WIRING FOR CarWash Controls EQUIPMENT TO BE RUN BY AN ELECTRICAL CONTRACTOR AND MUST BE HOME-RUNNED FROM POINT TO POINT. SPLICING OF WIRES IS NOT ALLOWED.



<http://www.SonnysDirect.com>

POS GATE CONTROL SCHEDULE

DATE: 11.06.17  
 REVISION DATE: 04.18.18  
 CREATED BY: LV  
 REVISED BY: FAO  
 CHECKED BY: Luis V.

**DISCLAIMER**  
 ALTHOUGH BUILDING CODES HAVE BEEN CONSIDERED IN DEVELOPING THIS DRAWING, VERIFICATION OF SITE SPECIFIC CONDITIONS AND COMPLIANCE WITH FEDERAL, STATE AND LOCAL BUILDING CODES IS THE EXCLUSIVE RESPONSIBILITY OF THE CUSTOMER AND/OR ARCHITECT AND ENGINEER. THESE DRAWINGS REFLECT REQUIREMENTS FOR SONNY'S FURNISHED EQUIPMENT ONLY UNLESS OTHERWISE NOTED. PLEASE REFER TO OTHER MANUFACTURERS, IF ANY, FOR THEIR EQUIPMENT REQUIREMENTS.

**CONFIDENTIAL WARNING:**  
 THIS SHEET CONTAINS AND CONSTITUTES CONFIDENTIAL INFORMATION, IMAGES AND TRADE SECRETS OF SONNY'S ENTERPRISES INC. ANY UNAUTHORIZED USE OR DISCLOSURE OF ANY OR PORTION THEREOF, IS STRICTLY PROHIBITED. THIS WORK IS THE EXCLUSIVE PROPERTY OF SONNY'S ENTERPRISES INC. ALL RIGHTS RESERVED.

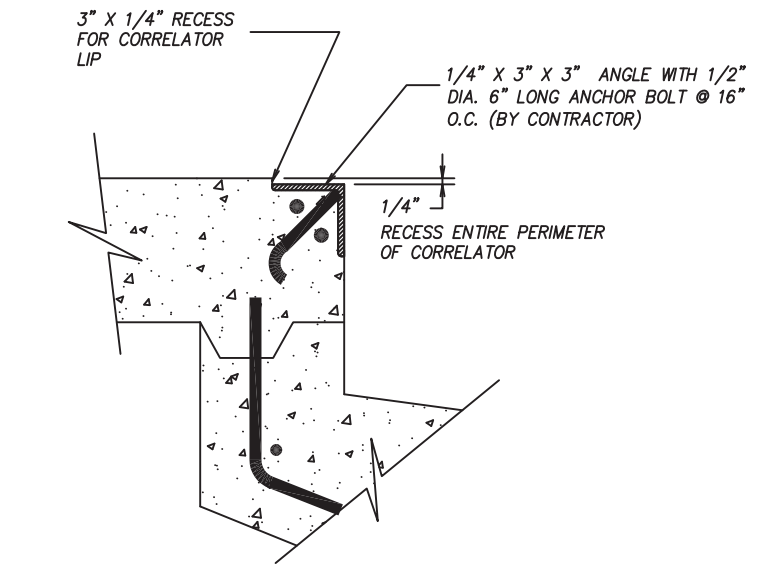
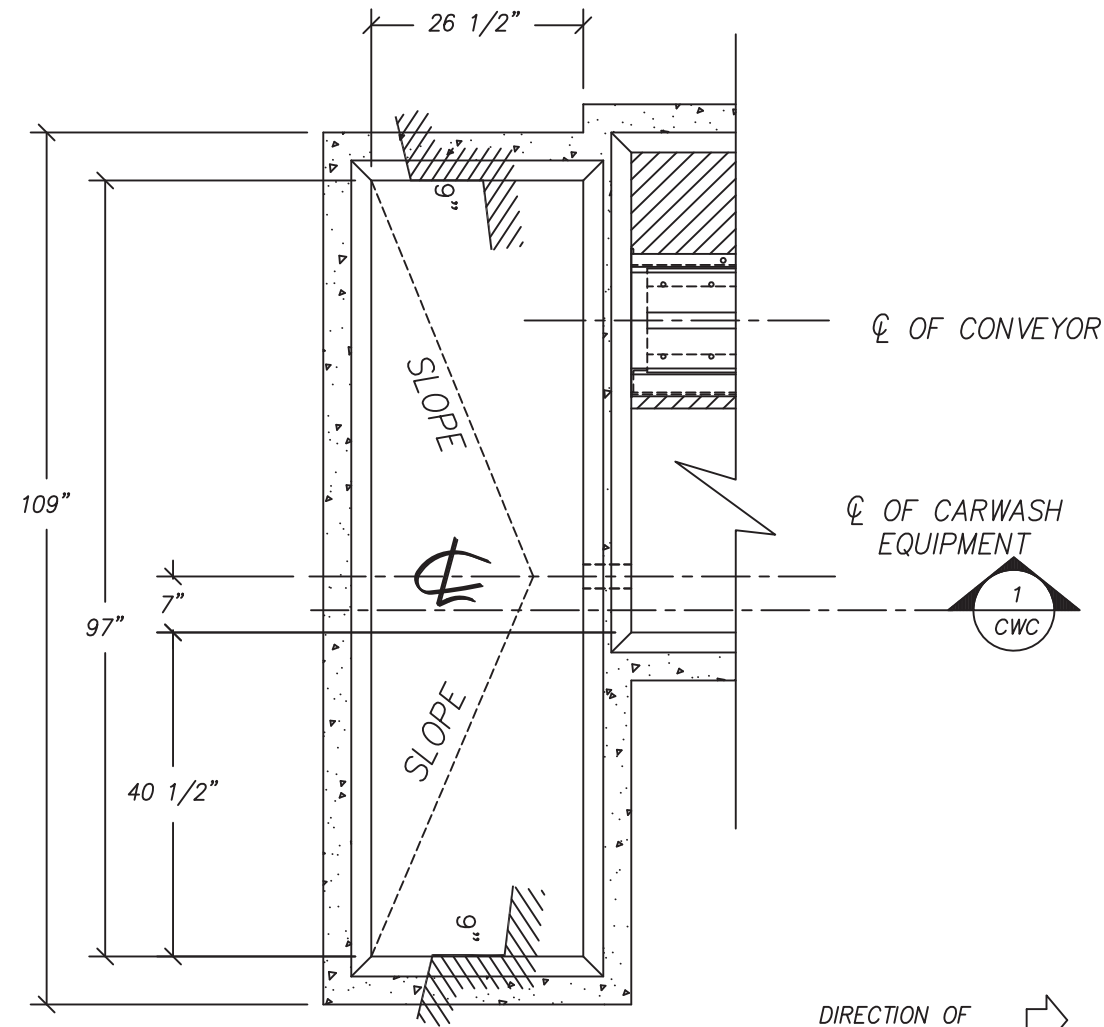
**CWP-125\_FT-Generic**

SCALE: N.T.S. LOCATION: FL

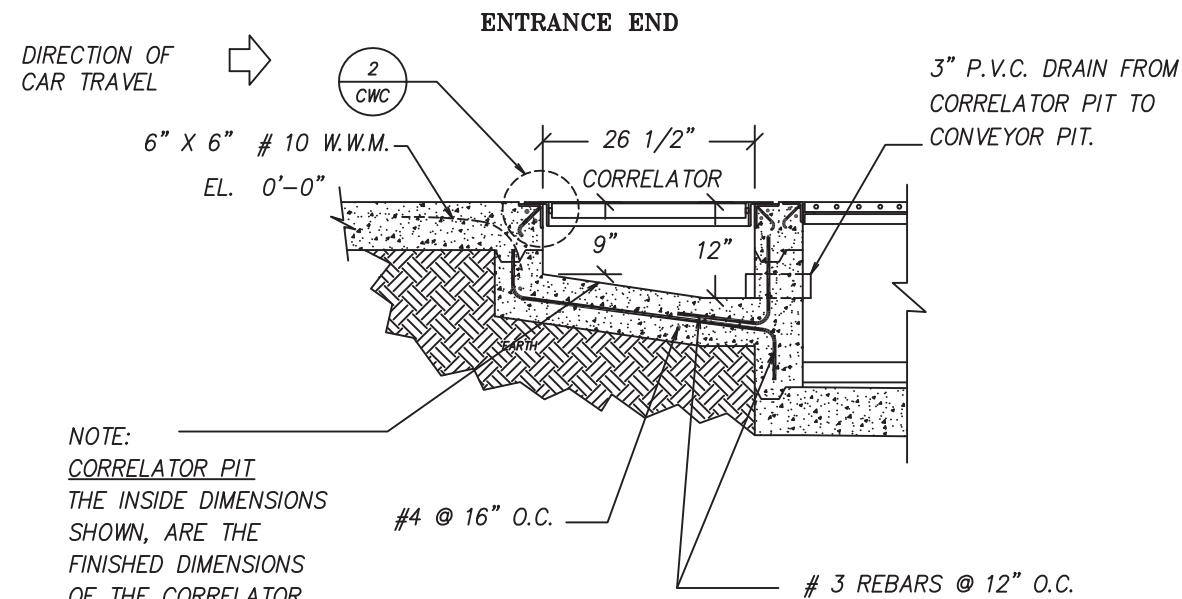
Sheet	Rev.
G.11	- + -

© 2018 SONNY'S ENTERPRISES, INC. 5605 Hiatus Road, Tamarac, FL 33321 USA. TEL.800-327-8723





**DETAIL**  
**CORRELATOR LIP ANGLE**  
SCALE: N.T.S.



NOTE:  
CORRELATOR PIT  
THE INSIDE DIMENSIONS  
SHOWN, ARE THE  
FINISHED DIMENSIONS  
OF THE CORRELATOR  
PIT.

**SECTION THRU CORRELATOR**

NOT FOR CONSTRUCTION UNTIL APPROVED BELOW.

APPROVED BY. \_\_\_\_\_

DATE \_\_\_\_\_

**DISCLAIMER**  
ALTHOUGH BUILDING CODES HAVE BEEN CONSIDERED IN DEVELOPING THIS DRAWING, VERIFICATION OF SITE SPECIFIC CONDITIONS AND COMPLIANCE WITH FEDERAL, STATE AND LOCAL BUILDING CODES IS THE EXCLUSIVE RESPONSIBILITY OF THE CUSTOMER AND/OR ARCHITECT AND ENGINEER. THESE DRAWINGS REFLECT REQUIREMENTS FOR SONNYS FURNISHED EQUIPMENT ONLY UNLESS OTHERWISE NOTED. PLEASE REFER TO OTHER MANUFACTURERS, IF ANY, FOR THEIR EQUIPMENT REQUIREMENTS.

**CONFIDENTIAL WARNING:**  
THIS SHEET CONTAINS AND CONSTITUTES CONFIDENTIAL INFORMATION, IMAGES AND TRADE SECRETS OF SONNYS ENTERPRISES INC. ANY UNAUTHORIZED USE OR DISCLOSURE OF ANY OR PORTION THEREOF, IS STRICTLY PROHIBITED. THIS WORK IS THE EXCLUSIVE PROPERTY OF SONNYS ENTERPRISES INC. ALL RIGHTS RESERVED.

**CWC-125\_FT-Generic**

SCALE: 1/2"=1'

Sheet	Rev.
C.1	++

CORRELATOR PLAN VIEW; GC  
CORRELATOR PIT DESIGN  
GENERIC 8x2 (12-11)

**SONNYS**  
The CarWash Factory

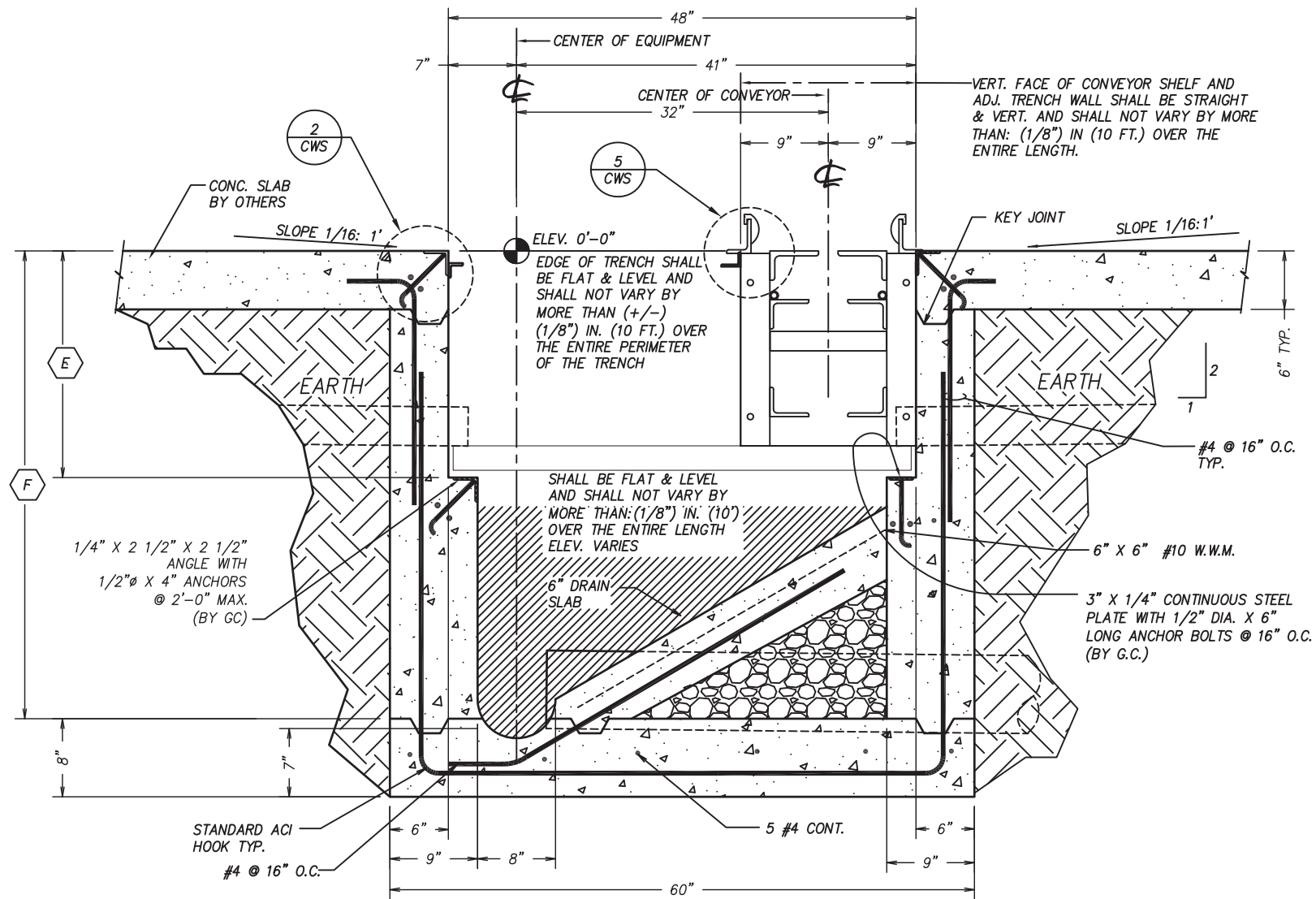
http://www.SonnysDirect.com

© 2018 SONNYS ENTERPRISES, INC. 5605 Hiatus Road, Tamarac, FL 33321 USA. TEL. 800-327-8723

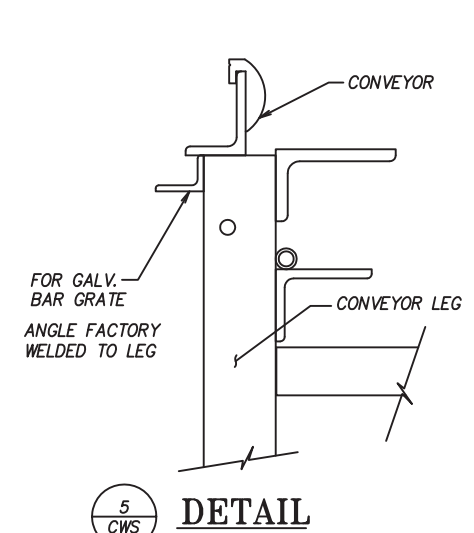
DATE:	11.06.17
REVISION DATE:	04.18.18
CREATED BY:	LV
REVISED BY:	FAO
CHECKED BY:	Luis V.

**STRUCTURAL NOTES**

- DESIGN:** Dimensions and tolerance shown are required for proper installation of car wash equipment. Structure shown is suggested construction. The Architect and/or Engineer of record shall verify that the structure shown is appropriate for this particular project and shall alter/modify design as required to satisfy the requirements of the project.
- SOIL:** Design shown assumes that the soil conditions at the site are satisfactory and have adequate bearing capacity for the loads to be imposed, with minimal differential settlement of the trench, slab, and car wash structures. If it is found that the soil on the site contains organics, and can not be sufficiently compacted or has other deleterious properties, the trench shall be redesigned for support on a piling foundation. The Architect and/or Engineer of record shall verify the soil conditions at the site.
- CONVEYOR TRENCH CONSTRUCTION:** Excavate trench to a point at or just below the bottom of trench slab shown. Slope excavation to match slope of trench. Compact soil under trench in accordance with soil Engineer's recommendation. Form and pour trench bottom slab coordinating placement of vert. reinf. with placement of block so that vert. reinf. is centered in the block cells. Lay block and fill cells and tie columns with concrete to a point just below the slab over pour shown. After adequate curing time, back fill and compact clean soil behind trench walls in accordance with soils Engineer's direction. Complete trench by forming and pouring conveyor shelf, corelator pit bottom, and surrounding slab.
- SLAB FINISHES:** All car wash vehicular slabs shall be finished with rough non-skid surface (Broom Finish). Brush lines in the finish shall be parallel to the direction of slope.
- APPROACH & EXIT SLABS:** Concrete approach and exit slabs extending a minimum of 20 feet from either end of the trench are required. These slabs shall be aligned with and level along the direction of travel through the car wash. Slight sloping of the slabs perpendicular to the direction of travel to allow drainage is acceptable.
- CONCRETE STRENGTH:** All concrete shall be normal weight unless noted otherwise and shall attain a 28 day compressive strength of  $f_c = 3000$  psi.
- MIXES:** All concrete mixes shall be designed by the supplier to meet the requirements set forth herein.
- SLUMP:** Unless noted or approved otherwise, the maximum slump allowable for concrete shall be four (4) inches. If higher slump is desired to increase workability, the Contractor should consult with the concrete supplier about using a concrete additive that will increase slump without increasing the water cement ratio of the concrete. The Contractor shall verify that any concrete additives shall not have any detrimental effects on embedded items, finishes indicated on the plans or likely future finishes.
- VIBRATION:** All cast in place concrete shall be consolidated by means of mechanical vibrators. The Contractor shall use properly trained personnel to assure that the concrete is not over or under vibrated, resulting in over or under consolidation of the concrete.
- FINISHING:** Finishing of concrete shall be in accordance with ACI 301 (Latest Edition).
- CURING:** Beginning immediately after placement, concrete shall be protected from premature drying, excessively hot or cold temperatures, and mechanical injury, and shall be maintained with minimal moisture loss at a relatively constant temperature for the period necessary for hydration of the cement and hardening of the concrete. The materials and methods of curing shall conform to ACI 301.
- REINFORCING STEEL STRENGTH:** All conventional reinforcing steel shall have a minimum yield strength of 60,000 psi and shall conform to ASTM designation A-615 Grade 60.
- STRENGTH OF MASONRY UNITS:** All hollow concrete masonry units shall be grade N-1 normal weight units that conform to the "Standard Specifications for Hollow Load Bearing Concrete Masonry Units" ASTM C-90 (Latest Edition). The minimum compressive strength of the hollow concrete masonry units at 28 days shall be 2500 psi (net area) with a minimum compressive strength of the masonry assembly  $f_m = 1500$  psi.
- MORTAR:** All masonry shall be laid with full mortar coverage of the face shells and webs and full end joints using type M or S mortar. All mortar used in the hollow concrete masonry unit walls shall conform to ASTM 270 (Latest Edition).
- CONCRETE GROUT:** All filled cells of masonry units shall be filled with concrete grout having a minimum compressive strength of 2000 psi and a maximum slump of 9".
- BLOCK PLACEMENT:** All cells to be filled with concrete shall be as straight as possible. The block should not be staggered so as to constrict the flow of concrete in any way. This shall be done by strategically placing pieces of block vertically between filled cells in non modular sections of wall and above and below non modular masonry openings.
- STRUCTURAL STEEL SHAPES:** All structural steel hot rolled shapes and plates shall be ASTM A36 with a minimum yield stress of 36 ksi. All steel shall conform to AISC Standards and Specifications for the Design, Fabrication, and Erection of Structural Steel.
- BOLTS:** All bolts shall conform to "Specifications for Low Carbon Steel Externally and Internally Threaded Standard Fasteners" ASTM A307 or "High Strength Bolts for Structural Steel Joints, Including Suitable Nuts and Plain Hardened Washers" ASTM A325.



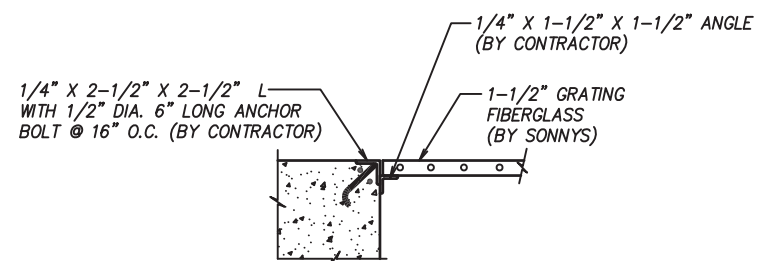
**SECTION THRU TRENCH**



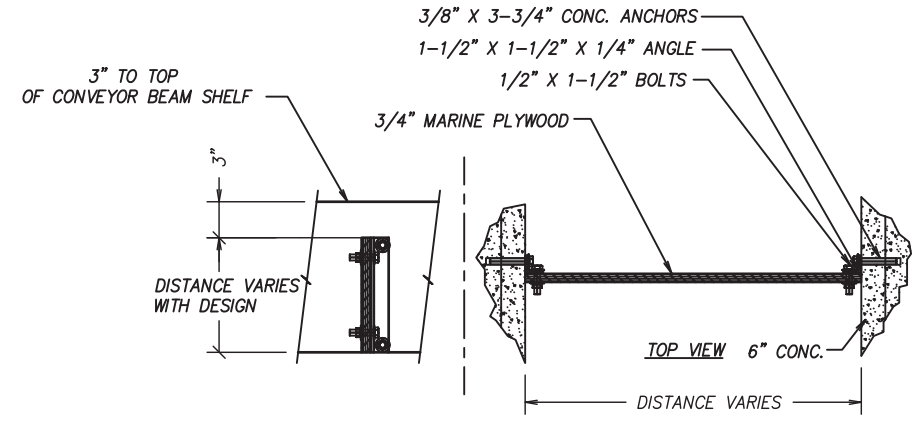
**DETAIL**

NOT FOR CONSTRUCTION UNTIL APPROVED BELOW.

APPROVED BY. \_\_\_\_\_ DATE \_\_\_\_\_



**BAR GRATE DETAIL**



**TRENCH DAM SECTION**

**DISCLAIMER**  
ALTHOUGH BUILDING CODES HAVE BEEN CONSIDERED IN DEVELOPING THIS DRAWING, VERIFICATION OF SITE SPECIFIC CONDITIONS AND COMPLIANCE WITH FEDERAL, STATE AND LOCAL BUILDING CODES IS THE EXCLUSIVE RESPONSIBILITY OF THE CUSTOMER AND/OR ARCHITECT AND ENGINEER. THESE DRAWINGS REFLECT REQUIREMENTS FOR SONNYS' FURNISHED EQUIPMENT ONLY UNLESS OTHERWISE NOTED. PLEASE REFER TO OTHER MANUFACTURERS, IF ANY, FOR THEIR EQUIPMENT REQUIREMENTS.

**CONFIDENTIAL WARNING:**  
THIS SHEET CONTAINS AND CONSTITUTES CONFIDENTIAL INFORMATION, IMAGES AND TRADE SECRETS OF SONNYS' ENTERPRISES INC. ANY UNAUTHORIZED USE OR DISCLOSURE OF ANY OR PORTION THEREOF, IS STRICTLY PROHIBITED. THIS WORK IS THE EXCLUSIVE PROPERTY OF SONNYS' ENTERPRISES INC. ALL RIGHTS RESERVED.

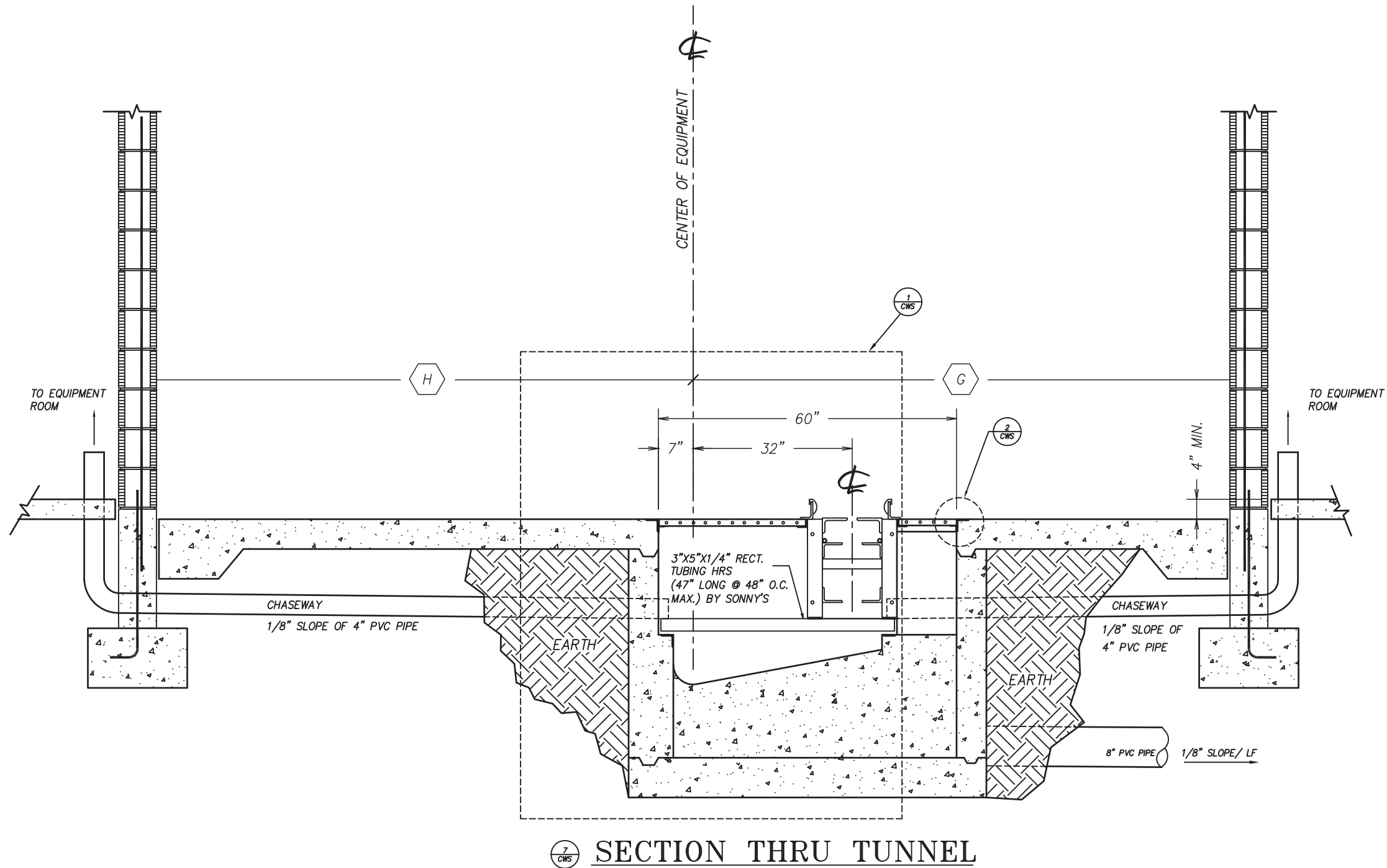
**CWT-125\_FT-Generic**  
SCALE: N.T.S.

Sheet	Rev.
S.1	+-

SECTION THRU TRENCH  
CONVEYOR PIT DESIGN SC "SELF-CLEAN"  
GENERIC (12-11)

**SONNYS'**  
The CarWash Factory

DATE:	11.06.17
REVISION DATE:	04.18.18
CREATED BY:	LV
REVISED BY:	FAO
CHECKED BY:	Luis V.



SECTION THRU TUNNEL

**DISCLAIMER**  
 ALTHOUGH BUILDING CODES HAVE BEEN CONSIDERED IN DEVELOPING THIS DRAWING, VERIFICATION OF SITE SPECIFIC CONDITIONS AND COMPLIANCE WITH FEDERAL, STATE AND LOCAL BUILDING CODES IS THE EXCLUSIVE RESPONSIBILITY OF THE CUSTOMER AND/OR ARCHITECT AND ENGINEER. THESE DRAWINGS REFLECT REQUIREMENTS FOR SONNYS'S FURNISHED EQUIPMENT ONLY UNLESS OTHERWISE NOTED. PLEASE REFER TO OTHER MANUFACTURERS, IF ANY, FOR THEIR EQUIPMENT REQUIREMENTS.

**CONFIDENTIAL WARNING:**  
 THIS SHEET CONTAINS AND CONSTITUTES CONFIDENTIAL INFORMATION, IMAGES AND TRADE SECRETS OF SONNYS'S ENTERPRISES INC. ANY UNAUTHORIZED USE OR DISCLOSURE OF ANY OR PORTION THEREOF, IS STRICTLY PROHIBITED. THIS WORK IS THE EXCLUSIVE PROPERTY OF SONNYS'S ENTERPRISES INC. ALL RIGHTS RESERVED.

**CWT-125\_FT-Generic**  
 SCALE: 1/2"=1'

Sheet	Rev.
S.2	+-

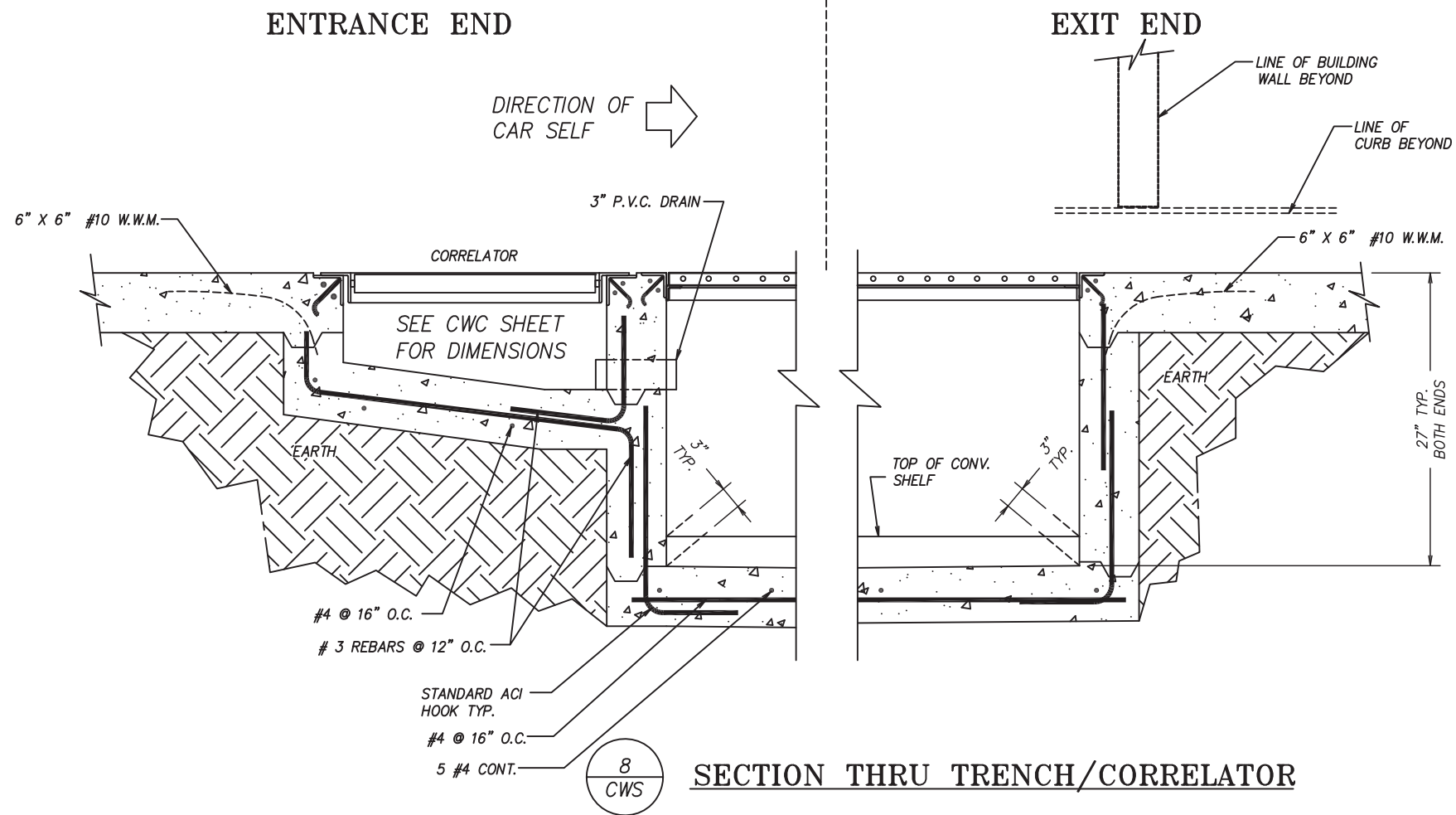
SECTION THRU TUNNEL  
 CONVEYOR PIT DESIGN SC "SELF-CLEAN"  
 GENERIC (12-11)



http://www.SonnysDirect.com

© 2018 SONNYS'S ENTERPRISES, INC. 5605 Hiatus Road, Tamarac, FL. 33321 USA. TEL. 800-327-8723

DATE:	11.06.17
REVISION DATE:	04.18.18
CREATED BY:	LV
REVISED BY:	FAO
CHECKED BY:	Luis V.



NOT FOR CONSTRUCTION UNTIL APPROVED BELOW.

APPROVED BY. \_\_\_\_\_

DATE \_\_\_\_\_

**DISCLAIMER**  
 ALTHOUGH BUILDING CODES HAVE BEEN CONSIDERED IN DEVELOPING THIS DRAWING, VERIFICATION OF SITE SPECIFIC CONDITIONS AND COMPLIANCE WITH FEDERAL, STATE AND LOCAL BUILDING CODES IS THE EXCLUSIVE RESPONSIBILITY OF THE CUSTOMER AND/OR ARCHITECT AND ENGINEER. THESE DRAWINGS REFLECT REQUIREMENTS FOR SONNY'S FURNISHED EQUIPMENT ONLY UNLESS OTHERWISE NOTED. PLEASE REFER TO OTHER MANUFACTURERS, IF ANY, FOR THEIR EQUIPMENT REQUIREMENTS.

**CONFIDENTIAL WARNING:**  
 THIS SHEET CONTAINS AND CONSTITUTES CONFIDENTIAL INFORMATION, IMAGES AND TRADE SECRETS OF SONNY'S ENTERPRISES INC. ANY UNAUTHORIZED USE OR DISCLOSURE OF ANY OR PORTION THEREOF, IS STRICTLY PROHIBITED. THIS WORK IS THE EXCLUSIVE PROPERTY OF SONNY'S ENTERPRISES INC. ALL RIGHTS RESERVED.

**CWT-125\_FT-Generic**

SCALE: 3/4"=1'

Sheet	Rev.
S.3	- + -

SECTION THRU TRENCH/CORRELATOR  
 CONVEYOR PIT DESIGN SC "SELF-CLEAN"  
 GENERIC (12-11)

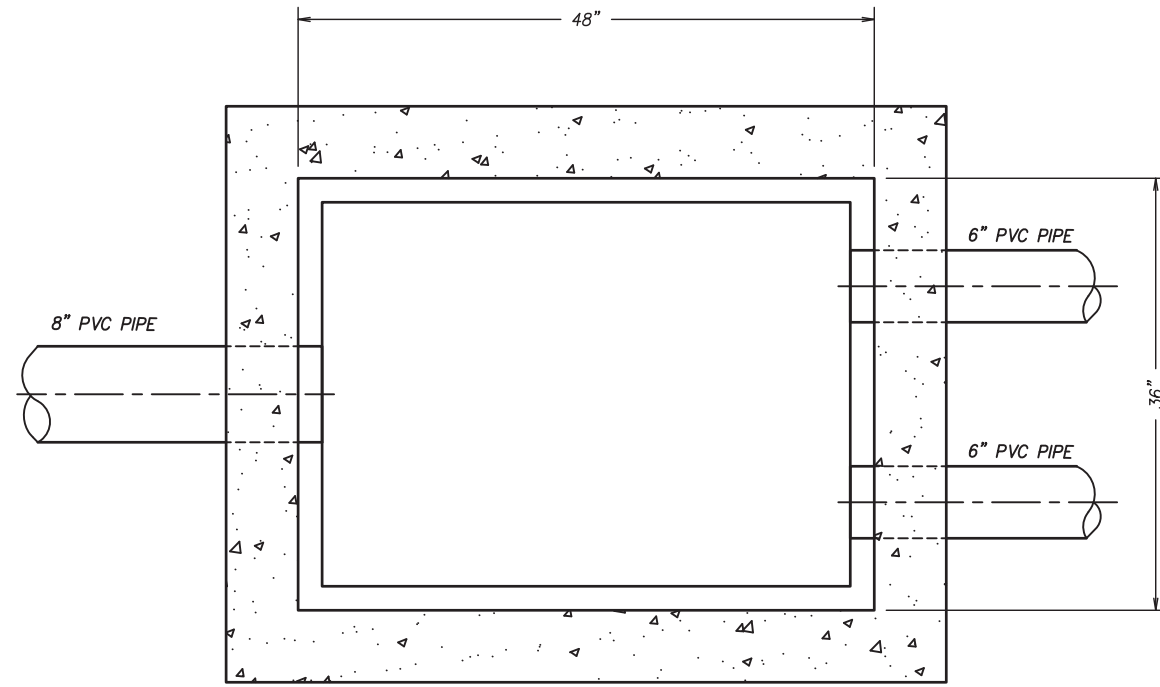
© 2018 SONNY'S ENTERPRISES, INC. 5605 Hiatus Road, Tamarac, FL. 33321 USA. TEL. 800-327-8723

**SONNY'S**  
 The CarWash Factory

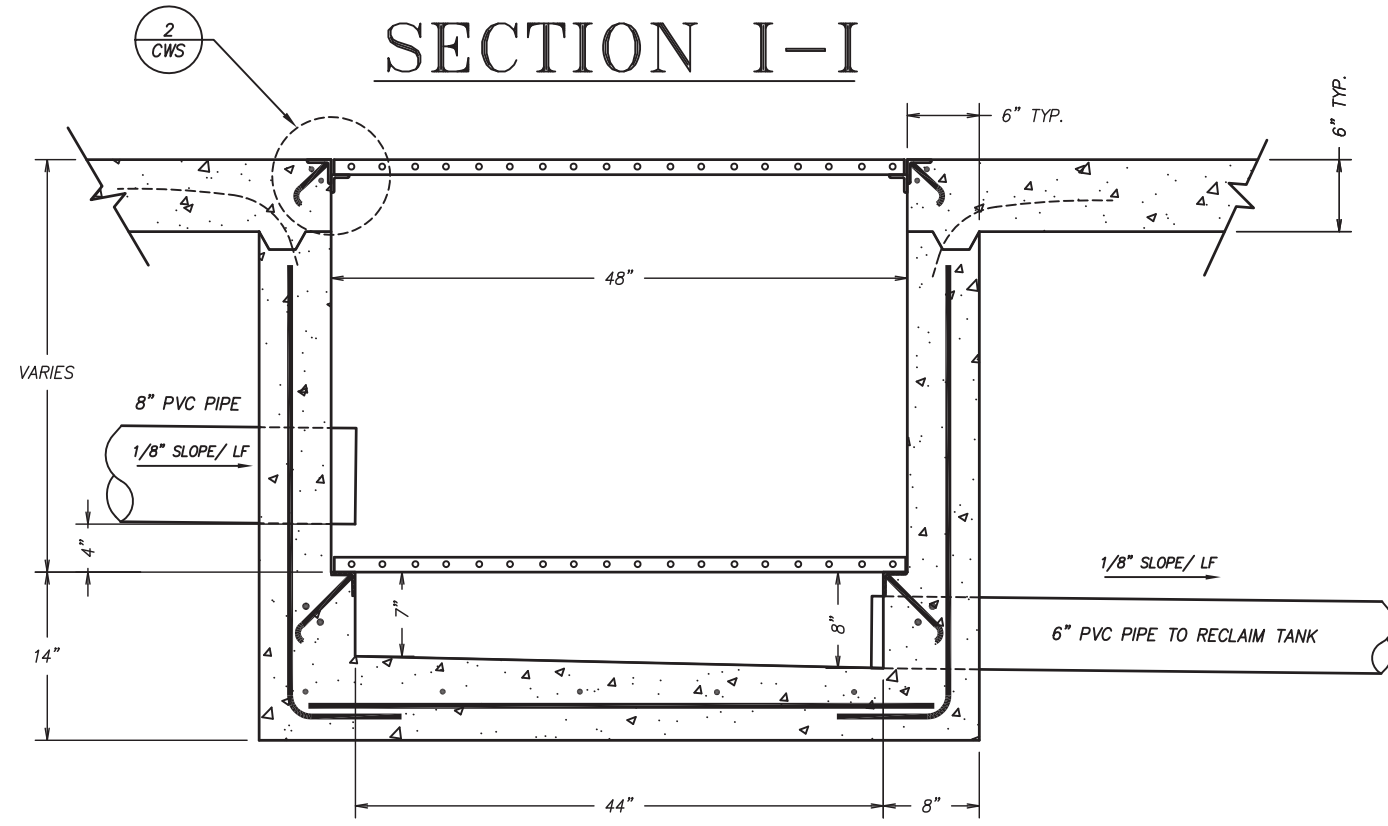
http://www.SonnysDirect.com

DATE:	REVISION DATE:	CREATED BY:	REVISED BY:	CHECKED BY:
11.06.17	04.18.18	LV	FAO	Luis V.





**SECTION I-I**



NOT FOR CONSTRUCTION UNTIL APPROVED BELOW.

APPROVED BY: \_\_\_\_\_ DATE: \_\_\_\_\_

**DISCLAIMER**  
 ALTHOUGH BUILDING CODES HAVE BEEN CONSIDERED IN DEVELOPING THIS DRAWING, VERIFICATION OF SITE SPECIFIC CONDITIONS AND COMPLIANCE WITH FEDERAL, STATE AND LOCAL BUILDING CODES IS THE EXCLUSIVE RESPONSIBILITY OF THE CUSTOMER AND/OR ARCHITECT AND ENGINEER. THESE DRAWINGS REFLECT REQUIREMENTS FOR SONNY'S FURNISHED EQUIPMENT ONLY UNLESS OTHERWISE NOTED. PLEASE REFER TO OTHER MANUFACTURERS, IF ANY, FOR THEIR EQUIPMENT REQUIREMENTS.

**CONFIDENTIAL WARNING:**  
 THIS SHEET CONTAINS AND CONSTITUTES CONFIDENTIAL INFORMATION, IMAGES AND TRADE SECRETS OF SONNY'S ENTERPRISES INC. ANY UNAUTHORIZED USE OR DISCLOSURE OF ANY OR PORTION THEREOF, IS STRICTLY PROHIBITED. THIS WORK IS THE EXCLUSIVE PROPERTY OF SONNY'S ENTERPRISES INC. ALL RIGHTS RESERVED.

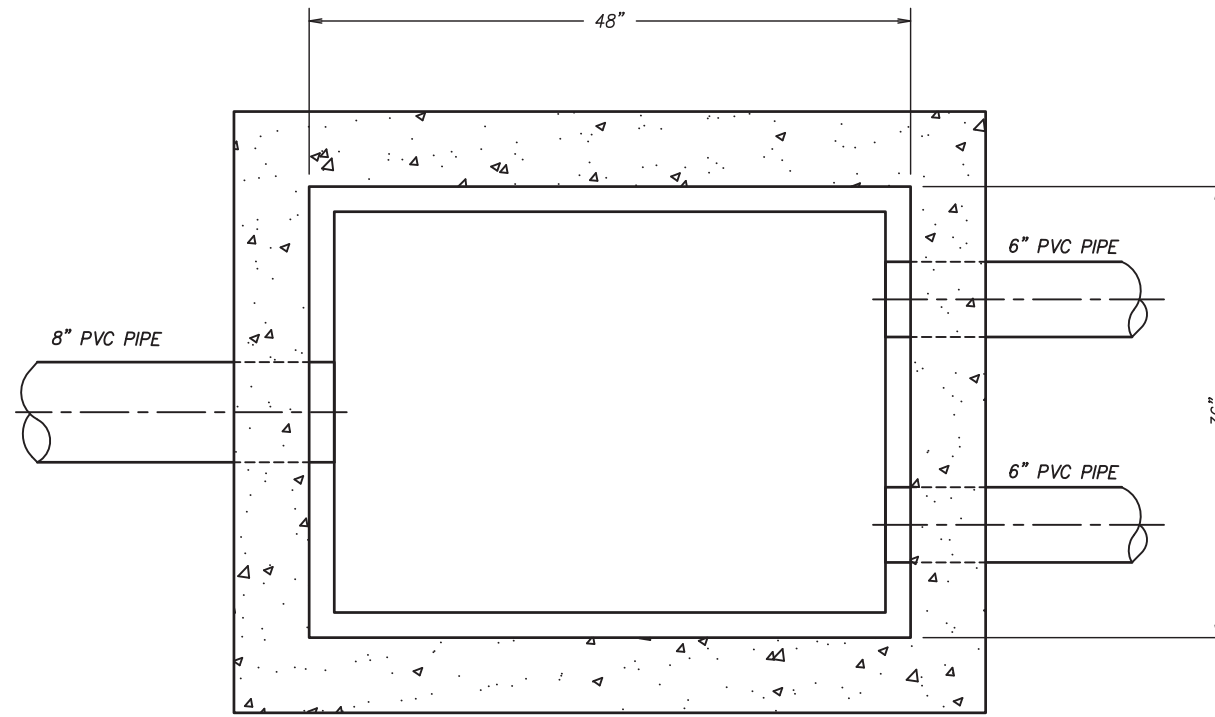
**CWT-125\_FT-Generic**  
 SCALE: 3/4"=1'

Sheet	Rev.
S.4	+-

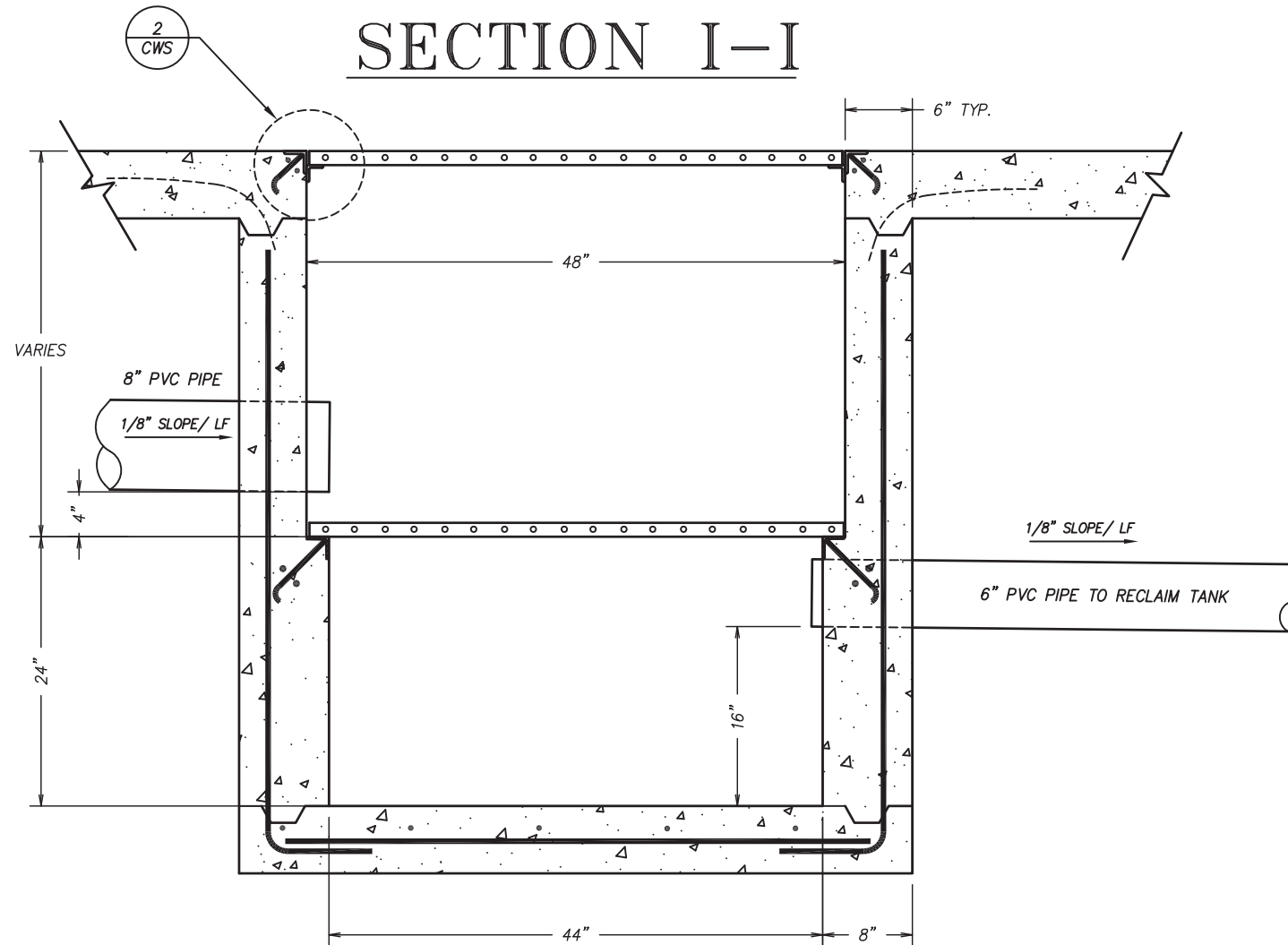
DATE:	11.06.17
REVISION DATE:	04.18.18
CREATED BY:	LV
REVISED BY:	FAO
CHECKED BY:	Luis V.

**SONNY'S**  
 The CarWash Factory  
<http://www.SonnysDirect.com>

SHALLOW DRAIN PIT  
 CONVEYOR PIT DESIGN SC "SELF-CLEAN"  
 GENERIC (12-11)  
 © 2018 SONNY'S ENTERPRISES, INC. 5605 Hiatus Road, Tamarac, FL. 33321 USA. TEL. 800-327-8723



SECTION I-I



NOT FOR CONSTRUCTION UNTIL APPROVED BELOW.

APPROVED BY. \_\_\_\_\_

DATE \_\_\_\_\_

**DISCLAIMER**  
 ALTHOUGH BUILDING CODES HAVE BEEN CONSIDERED IN DEVELOPING THIS DRAWING, VERIFICATION OF SITE SPECIFIC CONDITIONS AND COMPLIANCE WITH FEDERAL, STATE AND LOCAL BUILDING CODES IS THE EXCLUSIVE RESPONSIBILITY OF THE CUSTOMER AND/OR ARCHITECT AND ENGINEER. THESE DRAWINGS REFLECT REQUIREMENTS FOR SONNY'S FURNISHED EQUIPMENT ONLY UNLESS OTHERWISE NOTED. PLEASE REFER TO OTHER MANUFACTURERS, IF ANY, FOR THEIR EQUIPMENT REQUIREMENTS.

**CONFIDENTIAL WARNING:**  
 THIS SHEET CONTAINS AND CONSTITUTES CONFIDENTIAL INFORMATION, IMAGES AND TRADE SECRETS OF SONNY'S ENTERPRISES INC. ANY UNAUTHORIZED USE OR DISCLOSURE OF ANY OR PORTION THEREOF, IS STRICTLY PROHIBITED. THIS WORK IS THE EXCLUSIVE PROPERTY OF SONNY'S ENTERPRISES INC. ALL RIGHTS RESERVED.

CWT-125\_FT-Generic

SCALE: N.T.S.

Sheet	Rev.
S.4	++

DEEP DRAIN PIT  
 CONVEYOR PIT DESIGN SC "SELF-CLEAN"  
 GENERIC (12-11)



http://www.SonnysDirect.com

© 2018 SONNY'S ENTERPRISES, INC. 5605 Hiatus Road, Tamarac, FL. 33321 USA. TEL. 800-327-8723

DATE: 11.06.17

REVISION DATE: 04.18.18

CREATED BY: LV

REVISED BY: FAO

CHECKED BY: Luis V.