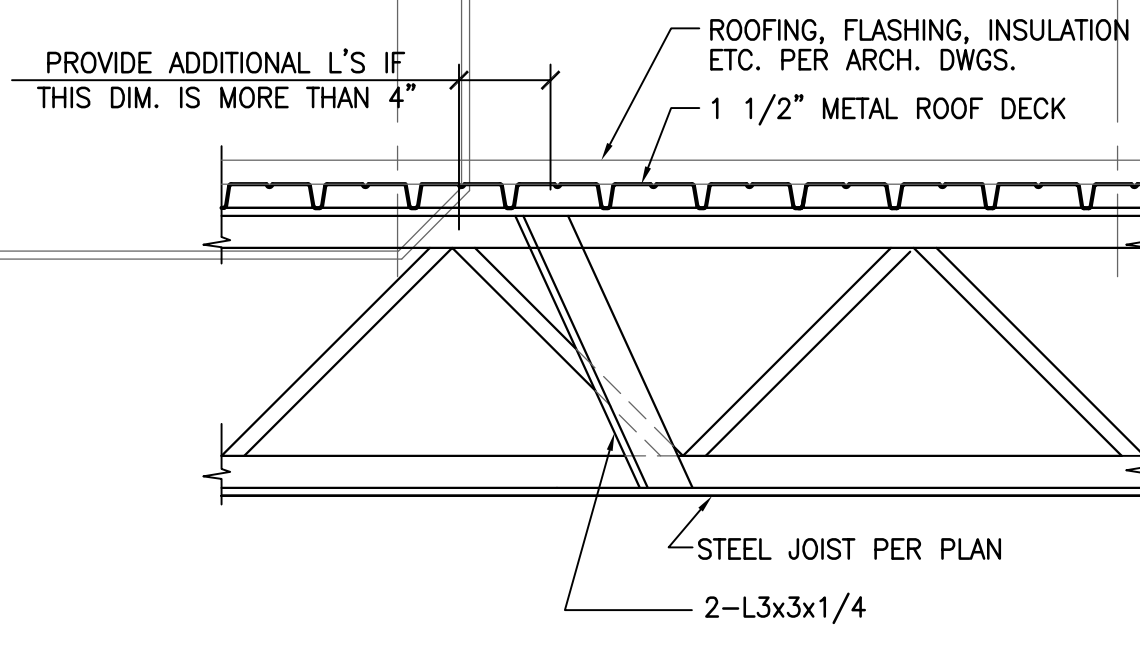


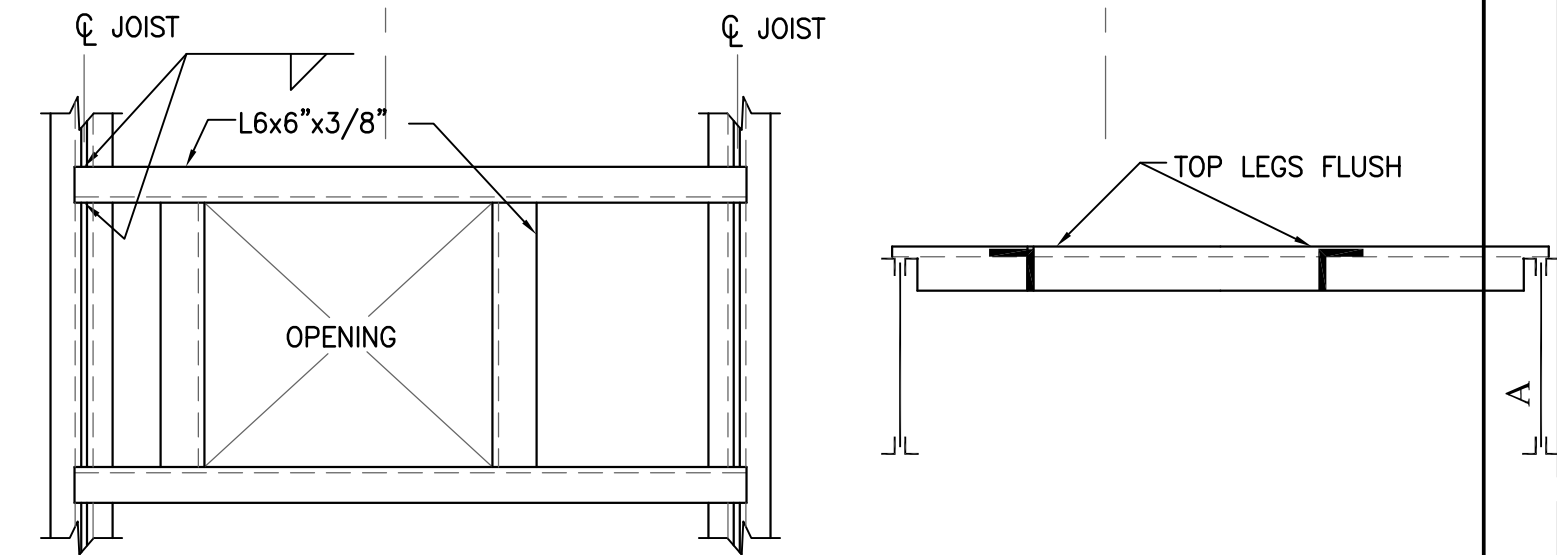
**RTU FRAMING PLAN**  
SCALE: 1/8" = 1'-0"

NOTE: RELOCATE EXISTING JOIST BRIDGING AS REQUIRED; RE-CONNECT BRIDGING TO EXIST. JOISTS. - THIS DRAWING IS BASED ON MECHANICAL UNIT LOCATIONS, SIZES & WEIGHTS PROVIDED BY EBS ENGINEERING. THE DESIGN OF THE STEEL FRAMING TO SUPPORT THE UNITS IS THE RESPONSIBILITY OF STUDIO T3 ENGINEERING.

- STRUCTURAL STEEL NOTES:**
1. ALL STEEL SHALL BE NEW STEEL, CONFORMING TO A.I.S.C. "SPECIFICATIONS FOR DESIGN, FABRICATION & ERECTION OF STRUCTURAL STEEL FOR BUILDINGS", LATEST EDITION, AND A.S.T.M. GRADE 36.
  2. ALL SHOP AND FIELD WELDS SHOWN SHALL BE MADE BY APPROVED CERTIFIED WELDERS AND SHALL CONFORM TO THE A.W.S. CODE FOR BUILDINGS. ALL WELDS SHALL DEVELOP THE FULL STRENGTH OF THE MATERIAL BEING WELDED. USE E-70XX ELECTRODES.
  3. ALL STEEL SHALL HAVE ONE COAT OF RUST INHIBITIVE PRIMER PAINT. TOUCH UP ALL WELDS, SCRATCHES, OR SCRAPES AFTER ERECTION.
  4. WELD ALL STEEL CONTACT SURFACES (OTHER THAN BOLTED CONNECTIONS) WITH A CONTINUOUS 3/16" (MINIMUM) FILLET WELD.



**TYPICAL DETAIL LOAD FROM TOP CHORD JOIST**  
SCALE: 1" = 1'-0"



**TYPICAL ROOF CURB FRAMING**  
SCALE: N.T.S.

**NOTICE**  
This document, the property of, prepared and issued by the architect, is submitted for the specific project named \_\_\_\_\_ and the recipient by accepting this document assumes custody and agrees that this document will not be copied or reproduced in part or in whole, and any special features peculiar to this design shall not be incorporated in any other project, unless prior agreement has been obtained in writing. These documents will be returned immediately upon completion of the project or upon the request of the architect.  
This document is the exclusive property of the architect, no rights to ownership are transferable, or shall be lost by the filing of this document with any and all public authorities for the purpose of compliance with Codes and or Ordinances, i.e. Building Permit, etc.



**Bryant & Stratton**  
110 Broadway  
Buffalo, NY

ISSUE:

SA PROJECT TEAM: PRINCIPAL P.Silvestri  
PROJ. ARCH. S.Hunt DRAFTER \_\_\_\_\_  
JOB CAPT. \_\_\_\_\_ INTERIORS N.Catizza

SEAL:

TITLE:  
**RTU FRAMING PLAN**



**SILVESTRI ARCHITECTS PC**

1321 MILLERSPORT HWY PH. 716.691.0900  
AMHERST, NY 14221 FAX 716.691.4773

SA JOB #: 19099.02 DATE: 4-6-2020

DRAWING #: **S-102**