



January 27, 2020
Casilio Construction
2457 Wehrle Drive
Williamsville, NY
Attn: Estimating Department

Plumbing Estimate- Main Street Warehouse Development

Niagara Plumbing and Mechanical is pleased to provide you a proposal to provide labor, materials, fixtures and permits as follows:

- Install underground sanitary pipe from 5Ft outside of BLDG to plumbing fixtures & equipment (Exterior Connection by Others)
 - Install underground sanitary pipe from interior point of connection to the New pole Barn and stub up 5 Ft inside of Pole Barn
 - Install floor drain, cleanouts
 - Provide mason with sleeve layouts
 - Backfill with excavated material, pipe bedding included
 - Run waste and vent from plumbing fixtures and equipment to VTR
 - Run water from flange inside the BLDG to plumbing fixtures and equipment
 - Install wall hydrants
 - Provide and install valves
 - Provide Floor drain in Mech room (Rm 109) for condensate piping (piping of condensate by others for HVAC Equip.)
 - Install electric water heater (submittal Attached)
 - Install domestic backflow, NO fire protection backflow
 - Provide insulation on water piping mains only
 - Run 2" gas from meter bar to equipment and furnaces
 - Install and provide plumbing fixtures and equipment that have been attached to the proposal
- Quantity totals of fixtures as follow:

- (3) WC-1
- (1) Lav-1
- (2) Lav- 2
- (2) KS-1
- (1) MS-1
- (1) WH-1
- (2) Wall Hydrant
- (1) RPZ

Underground sanitary piping will be Schedule 40 PVC pipe and fittings.
Above ground drain, waste and vent piping will be Schedule 40 PVC pipe and fittings
Water lines will be Uponor Pex-A pipe and fittings
Gas lines will be black malleable iron pipe and fittings

For the amount of

\$78,000.00



Add for NY Sales Tax **\$3,800.00**

Add for Engineered Stamped Drawings **\$10,000.00**

Inclusions:

Labor and materials
Normal working hours and Standard wage rates apply

Exclusions

Painting of pipework, Electrical connections and control wiring, Water meter and associated fees, Spoil removal and imported fill, Excavation and removal of any unknown substances or obstacles, Compaction testing, Dewatering of trenching, Roof flashings, flue piping, Access panels, Seismic hangers, Dumpsters, Gas meter and associated fees, concrete cut remove and patch, Removal of ceiling to gain access to existing plumbing, NY Sales Tax, setting of undermount sinks, installing of integral sinks, drilling countertops

*This proposal is valid for thirty (30) days from the date of this proposal
Prior notice by general contractor of foundation installation required for Niagara Plumbing & Mechanical to set sleeves, any coring due to lack of notification will incur additional costs
Any repairs to existing plumbing during construction will incur additional costs
No repairs will be made without prior authorization from general contractor
If awarded this project, this proposal will be an attachment to the contracts "scope of work" section
If awarded this project all grading, stone and pad preparation to be done after underground piping installation and tamping completed
If concrete floor is thicker than 6", addition cost will be incurred
Concrete dumpster is to be clean and accessible for front entry, if not accessible slabs will be set next to dumpster for general contractor remove at no additional cost to subcontractor
If vapor barrier and/or doweling is required for concrete patching additional cost will be incurred
Bid based on drawings dated 12.19.2019 and project number 19.004*

Robert Nolet
Estimator
Email: robn.npm@gmail.com
Cell: 585.766.4872

For Health Hazard Applications

Job Name _____
 Job Location _____
 Engineer _____
 Approval _____

Contractor _____
 Approval _____
 Contractor's P.O. No. _____
 Representative _____

LEAD FREE*

Series LF009 Reduced Pressure Zone Assemblies

Sizes: 1/4" – 3" (8 – 80mm)

Series LF009 Reduced Pressure Zone Assemblies are designed to protect potable water supplies in accordance with national plumbing codes and water authority requirements. This series can be used in a variety of installations, including the prevention of health hazard cross-connections in piping systems or for containment at the service line entrance. The LF009 features Lead Free* construction to comply with Lead Free* installation requirements.

This series features two in-line, independent check valves, captured springs and replaceable check seats with an intermediate relief valve. Its compact modular design facilitates easy maintenance and assembly access. Sizes 1/4" – 1" (8 – 25mm) shutoffs have tee handles.

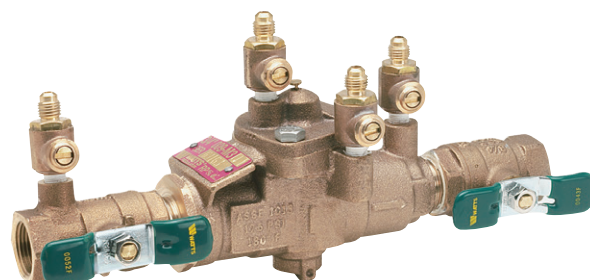
Features

- Single access cover and modular check construction for ease of maintenance
- Top entry – all internals immediately accessible
- Captured springs for safe maintenance
- Internal relief valve for reduced installation clearances
- Replaceable seats for economical repair
- Lead Free* cast copper silicon alloy body construction for durability 1/4" – 2" (8 – 50mm)
- Fused epoxy coated cast iron body 2 1/2" and 3" (65 and 80mm)
- Ball valve test cocks – screwdriver slotted 1/4" – 2" (8 – 50mm)
- Large body passages provides low pressure drop
- Compact, space saving design
- No special tools required for servicing

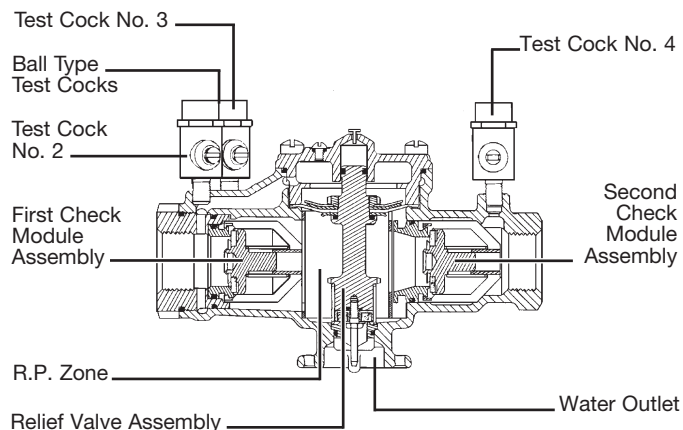
Specifications

A Reduced Pressure Zone Assembly shall be installed at each potential health hazard location to prevent backflow due to backsiphonage and/or backpressure. The assembly shall consist of an internal pressure differential relief valve located in a zone between two positive seating check modules with captured springs and silicone seat discs. Seats and seat discs shall be replaceable in both check modules and the relief valve. There shall be no threads or screws in the waterway exposed to line fluids. Service of all internal components shall be through a single access cover secured with stainless steel bolts. Body and shutoffs shall be constructed using Lead Free* cast copper silicon alloy materials. Lead Free* reduced pressure zone assembly shall comply with state codes and standards, where applicable, requiring reduced lead content.

The assembly shall also include two resilient seated isolation valves, four resilient seated test cocks and an air gap drain fitting. The assembly shall meet the requirements of: USC; ASSE Std. 1013; AWWA Std. C511; CSA B64.4. Shall be a Watts Series LF009.



LF009



Now Available WattsBox Insulated Enclosures.

For more information, send for literature ES-WB.

NOTICE

Inquire with governing authorities for local installation requirements

NOTICE

The information contained herein is not intended to replace the full product installation and safety information available or the experience of a trained product installer. You are required to thoroughly read all installation instructions and product safety information before beginning the installation of this product.

*The wetted surface of this product contacted by consumable water contains less than 0.25% of lead by weight.

Available Models: 1/4" – 2" (8 – 50mm)

Suffix:

QT – quarter-turn ball valves

S – strainer

LF – without shutoff valves

PC – internal polymer coating

W/Press** – press inlet x press outlet (1/2" – 2" only)

Prefix:

U – union connections

Available Models: 2 1/2" – 3" (65 – 80mm)

Suffix:

NRS – non-rising stem resilient seated gate valves

OSY – UL/FM outside stem and yoke resilient seated gate valves

S-FDA – FDA epoxy coated strainer

QT-FDA – FDA epoxy coated quarter-turn ball valves

LF – without shutoff valves

Note: The installation of a drain line is recommended. When installing a drain line, an air gap is necessary (see ES-AG).

Materials: 1/4" – 2" (8 – 50mm)

Lead Free* cast copper silicon alloy body construction, silicone rubber disc material in the first and second check plus the relief valve. Replaceable polymer check seats for first and second checks. Removable Relief valve seats. Stainless steel cover bolts.

Standardly furnished with NPT body connections.

Model LF009QT furnished with quarter-turn, full port, resilient seated, Lead Free* cast copper silicon alloy body ball valve shutoffs.

Materials: 2 1/2" and 3" (65 – 80mm)

- (FDA approved) Epoxy coated cast iron unibody with plastic seats
- Relief valve with stainless steel seat and trim
- Lead Free cast copper silicon alloy body ball valve test cocks

Pressure / Temperature

Sizes 1/4" – 2" (8 – 50mm) Suitable for supply pressure up to 175psi (12.1 bar). Water temperature: 33°F – 180°F (0.5° – 82°C).

Sizes 2 1/2" and 3" (65 and 80mm) are suitable for supply pressures up to 175psi (12.1 bar) and water temperature at 110°F (43°C) continuous, 140°F (60°C) intermittent.

Standards

USC

ASSE No. 1013

AWWA C511

CSA B64.4

IAPMO File No. 1563.



Approvals

ASSE, AWWA, CSA, IAPMO

Approved by the Foundation for Cross-Connection Control and Hydraulic Research at the University of Southern California.

Approval models QT, PC, NRS, OSY.

UL Classified

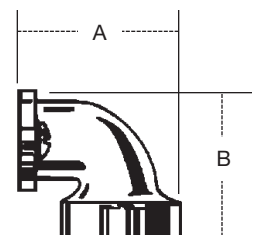
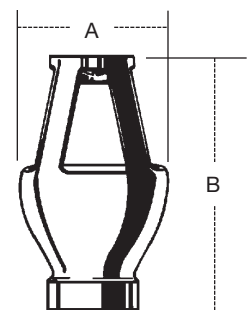
2 1/2" and 3" (65 and 80mm) with OSY gate valves.

3/4" - 2" (20-50mm) without shutoff valves (-LF)
(except LF009M3LF)

Air Gaps and Elbows

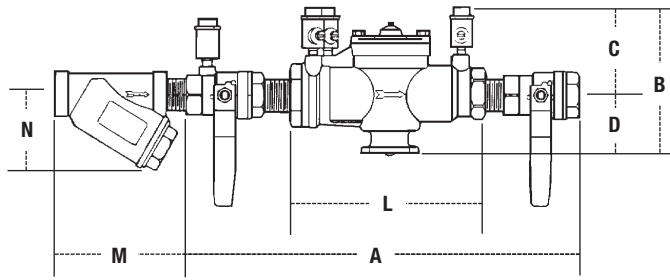
MODEL	DRAIN OUTLET	DIMENSIONS				WEIGHT			
		A		B		lbs.	kgs.		
	for 909, 009 and 993 sizes	in.	mm	in.	mm				
909AGA	1/4"-1/2" 009, 3/4" 009M2/M3	1/2	13	2 3/8	60	3 1/8	79	0.625	0.28
909AGC	3/4"-1" 009/909, 1"-1 1/2" 009M2	1	25	3 1/4	83	4 7/8	124	1.5	0.68
909AGF	1 1/4"-2" 009M1, 1 1/4"-3" 009/909, 2" 009M2, 4"-6" 993	2	51	4 3/8	111	6 3/4	171	3.25	1.47
909AGK	4"-6" 909, 8"-10" 909M1	3	76	6 3/8	162	9 3/8	244	6.25	2.83
909AGM	8"-10" 909	4	102	7 3/8	187	11 1/4	286	15.5	7.03
909ELA	1/4"-1/2" 009, 3/4" 009M2/M3	-	-	-	-	-	-	-	-
909ELC	3/4"-1" 009/909	-	-	2 3/8	60	2 3/8	60	0.38	0.17
* 909ELF	1 1/4"-2" 009M1, 1 1/4"-2" 009/909, 2" 009M2, 4"-6" 993	-	-	3 3/8	92	3 3/8	92	2	0.91
* 909ELH Vertical	2 1/2"-3" 009/909	-	-	-	-	-	-	-	-

** Viega ProPress® connections are optional factory-installed fitting on each end of the approved/certified assembly.



Dimensions – Weight

Size: 1/4" – 2" (8 – 50mm) LF009

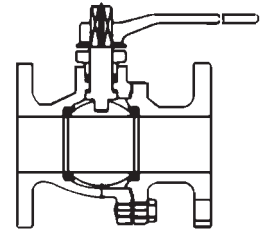
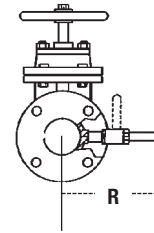
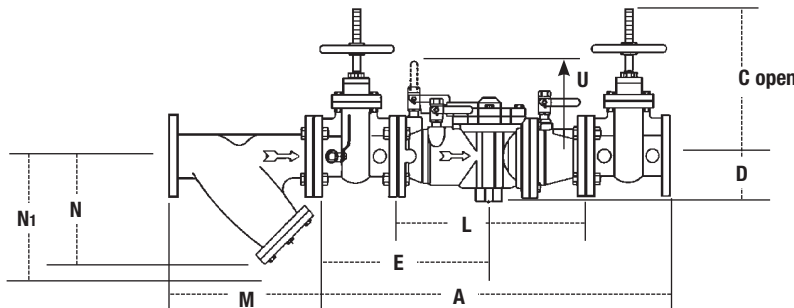


LF009 1/4" – 2"

SIZE (DN)		DIMENSIONS (APPROX.)												WEIGHT			
in.	mm	A		B		C		D		L		M		N		lbs.	kgs.
		in.	mm	in.	mm	in.	mm	in.	mm	in.	mm	in.	mm	in.	mm		
1/4	8	10	250	4 5/8	117	3 3/8	86	1 1/4	32	5 1/2	140	2 3/8	60	2 1/2	64	5	2
3/8	10	10	250	4 5/8	117	3 3/8	86	1 1/4	32	5 1/2	140	2 3/8	60	2 1/2	64	5	2
1/2	15	10	250	4 5/8	117	3 3/8	86	1 1/4	32	5 1/2	140	2 3/4	70	2 1/4	57	5	2
3/4	20	10 3/4	273	5	127	3 1/2	89	1 1/2	38	6 3/4	171	3 3/16	81	2 3/4	70	6	3
1	25	14 1/2	368	5 1/2	140	3	76	2 1/2	64	9 1/2	241	3 3/4	95	3	76	12	5
1 1/4	32	17 3/8	441	6	150	3 1/2	89	2 1/2	64	11 3/8	289	4 7/16	113	3 1/2	89	15	6
1 1/2	40	17 7/8	454	6	150	3 1/2	89	2 1/2	64	11 1/8	283	4 7/8	124	4	102	16	7
2	50	21 3/8	543	7 3/8	197	4 1/2	114	3 1/8	83	13 1/2	343	5 1/8	151	5	127	30	13

Dimensions – Weight

Size: 2 1/2" and 3" (65 and 80mm) LF009



**Watts G-4000 Series
QT – Ball Valves**

STRAINER SIZE		DIMENSIONS (APPROX.)						WEIGHT	
in.	mm	M		N		N1†		lbs.	kgs.
		in.	mm	in.	mm	in.	mm		
2 1/2	65	10	254	6 1/2	165	9 3/4	248	28	12.7
3	80	10 1/8	257	7	178	10	254	34	15.4

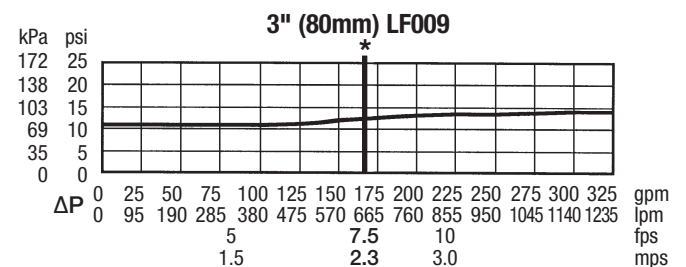
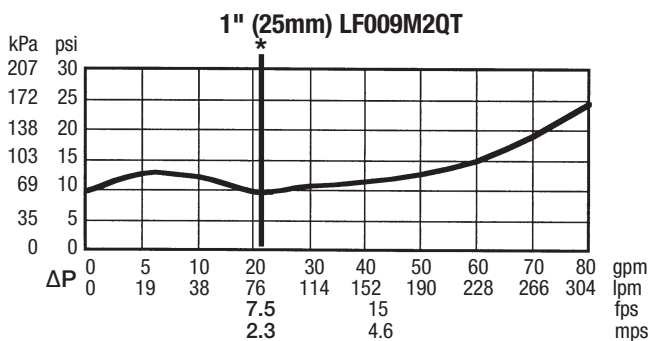
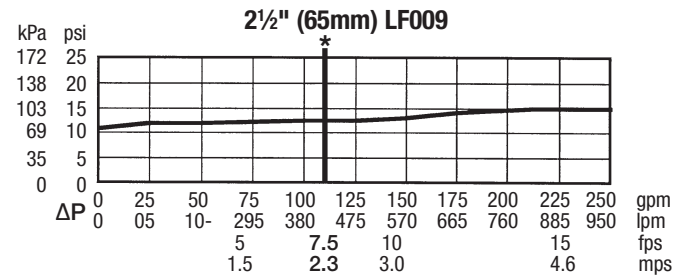
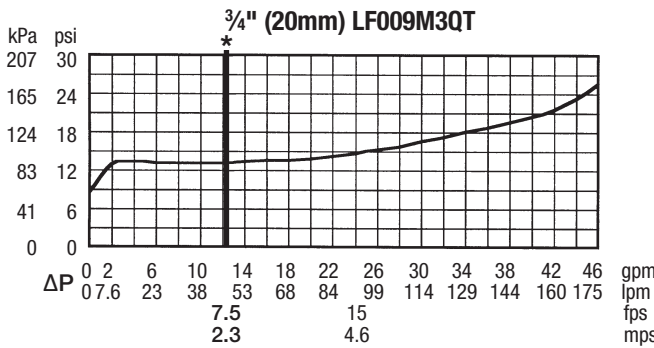
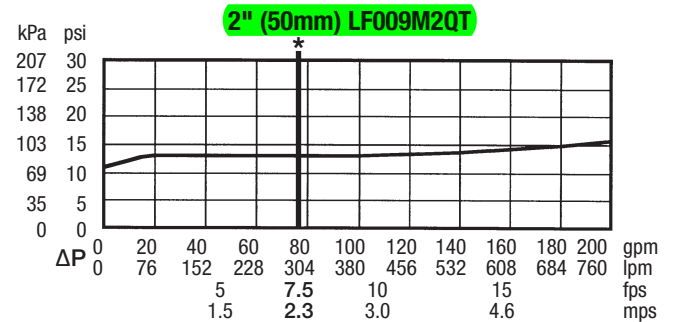
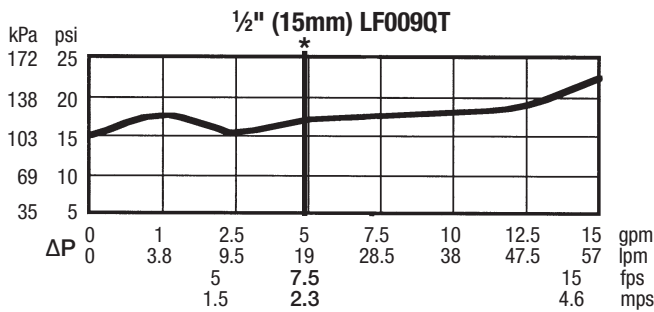
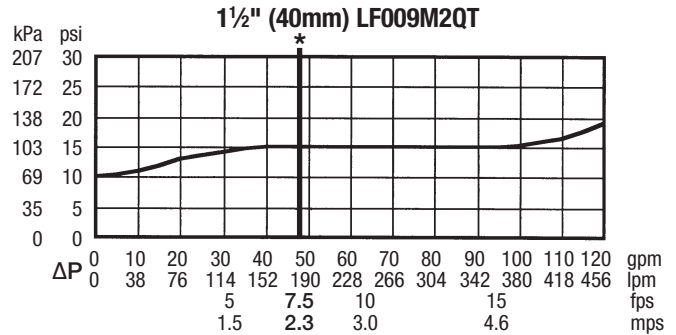
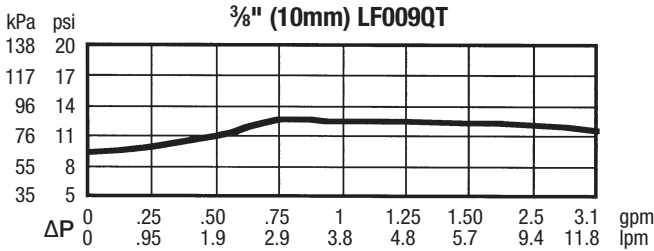
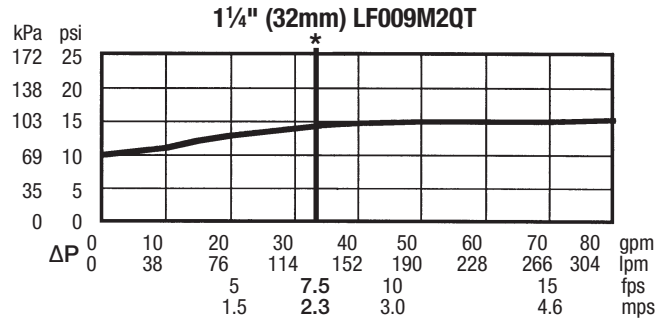
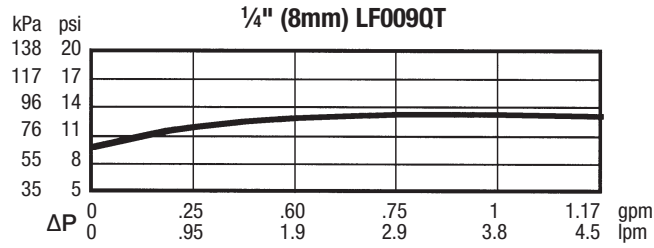
†Clearance for servicing

MODEL	SIZE DN		DIMENSIONS (APPROX.)										WEIGHT					
	in.	mm	A		C		D		E		L		R		U		lbs.	kgs.
			in.	mm	in.	mm	in.	mm	in.	mm	in.	mm	in.	mm	in.	mm		
LF009LF	2 1/2	65	—	—	—	—	4 1/2	114	—	—	18 1/8	460	—	—	10 5/8	270	76	34.5
LF009OSY	2 1/2	65	33 1/4	845	15 3/8	403	4 1/2	114	16 3/8	416	18 1/8	460	7 3/4	197	10 5/8	270	166	75.3
LF009NRS	2 1/2	65	33 1/4	845	11 3/8	289	4 1/2	114	16 3/8	416	18 1/8	460	7 3/4	197	10 5/8	270	161	73.0
LF009QTFDA	2 1/2	65	33 1/4	845	6	152	4 1/2	114	16 3/8	416	18 1/8	460	7 3/4	197	10 5/8	270	150	68.0
LF009LF	3	80	—	—	—	—	4 1/2	114	—	—	18 1/8	460	—	—	10 5/8	270	76	34.5
LF009OSY	3	80	34 1/4	870	18 1/2	470	4 1/2	114	16 5/8	422	18 1/8	460	8 3/4	222	10 5/8	270	198	89.8
LF009NRS	3	80	34 1/4	870	12 3/4	324	4 1/2	114	16 3/8	422	18 1/8	460	8 3/4	222	10 5/8	270	191	86.6
LF009QTFDA	3	80	34 1/4	870	7	178	4 1/2	114	16 3/8	422	18 1/8	460	8 3/4	222	10 5/8	270	158	71.7

Capacity

Performance as established by an independent testing laboratory.

*Typical maximum system flow rate (7.5 feet/sec., 2.3 meters/sec.)



DAYTON® SPECIFICATIONS

KS-1

Dayton® Undermount Double Bowl Sink Model DXUH3118

GENERAL

Sink is formed of #18 (1.2mm) gauge, type 301 nickel bearing stainless steel.

DESIGN FEATURES

Bowl Depth: 8" (203mm).

Underside: Sound dampening pad with spray undercoating to dampen sound and reduce condensation.

Finish: Exposed surfaces are polished to a Radiant Satin finish.

OTHER

Drain Openings: 3-1/2" (89mm).

NOTE: All Dayton undermount sinks are designed to affix easily to the underside of any solid surface countertop.

OPTIONAL ACCESSORIES

Bottom Grid: LKWBG1415SS, GBG1415SS

Drain: LK35, D1125

Cutting Board: CB1516 (Sink must be installed with a 1/2" reveal for cutting board to fit properly).

Rinsing Basket: LKW RB1316SS, LKWERBSS

Utensil Caddy: LKWUCSS

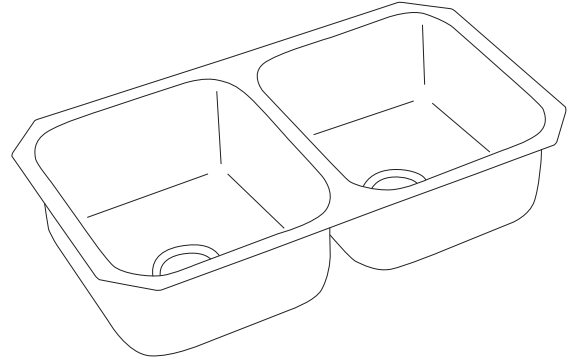
Mounting Clip: LKUCLIP8 (2 packages required)

Template: 64180280

Sink complies with ASME A112.19.3-2008 / CSA B45.4-08.



These sinks are listed by the International Association of Plumbing and Mechanical Officials as meeting the requirements of the Uniform Plumbing Code and the National Plumbing Code of Canada.



Model DXUH3118



SINKS ARE
MADE IN THE USA

SINK PACKAGE

~~DXUH2115DF includes: (1) Sink DXUH3118, (1) Faucet LK1501CR, and (2) Drains.~~

~~DXUH2115DFBG includes: (1) Sink DXUH3118, (1) Faucet LK5000CR, (1) Bottom Grid GBG1415SS, and (2) Drains.~~

FAUCET FEATURES

~~LK1501CR~~

~~—Chrome finished, single-lever kitchen faucet with side spray.~~

~~—Flexible supply tubes with 1/2" (13mm) male IPS adapters.~~

~~—Two 1 3/8" diameter faucet holes required.~~

~~LK5000CR~~

~~—Chrome finished, single-lever kitchen faucet with pull-down spray.~~

~~—Braided stainless steel supply lines.~~

~~—Three 1 3/8" diameter faucet holes required.~~

~~Max counter thickness: 2.5" (63mm).~~

~~Faucets comply with: ADA, ANSI/NSF61, ASME A112.18.1/CSA B125.1,~~

~~cUPC, CA-AB1953~~

~~Faucet flow rate: 1.5 GPM/5.7 L/min at 60 P.S.I.G.~~

BOTTOM GRID FEATURES

~~Nickel-bearing stainless steel~~

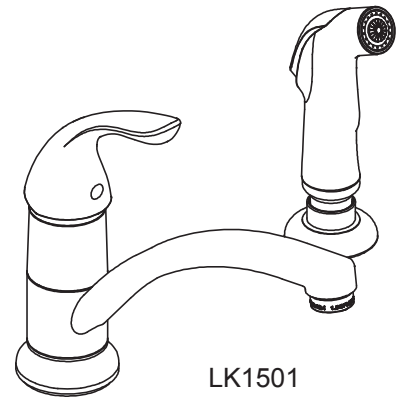
~~Bright finish~~

~~Dishwasher safe~~

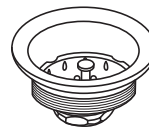
DRAIN FEATURES

~~Stainless steel body and strainer.~~

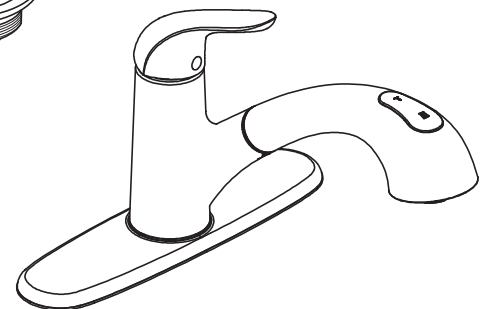
~~Fits 3-1/2" (89mm) opening.~~



LK1501



GBG1415SS



LK5000

In keeping with our policy of continuing product improvement, Elkay reserves the right to change product specifications without notice. Please visit elkayusa.com for most current version of Elkay product specification sheets.

This specification describes an Elkay product with design, quality and functional benefits to the user. When making a comparison of other producers' offerings, be certain these features are not overlooked.

Elkay

elkayusa.com

2222 Camden Court
Oak Brook, IL 60523

Printed in U.S.A.
©2011 Elkay

(Rev. 8/11) 2-58F

DAYTON® SPECIFICATIONS

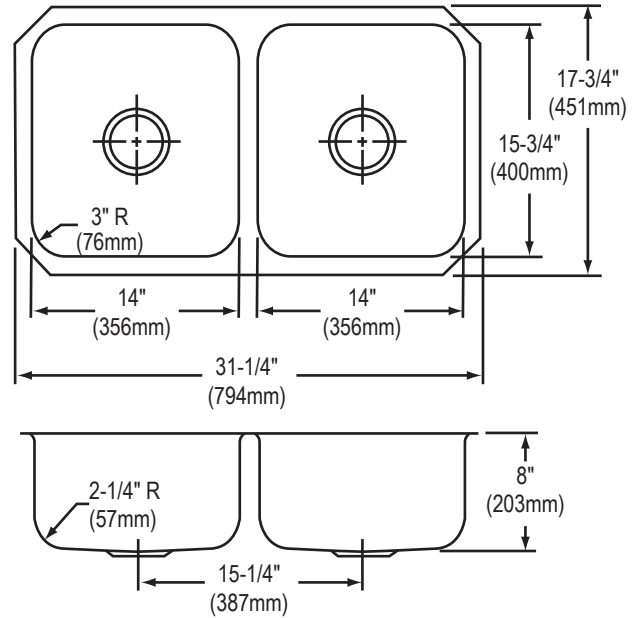
KS-1

Dayton® Undermount Double Bowl Sink Model DXUH3118

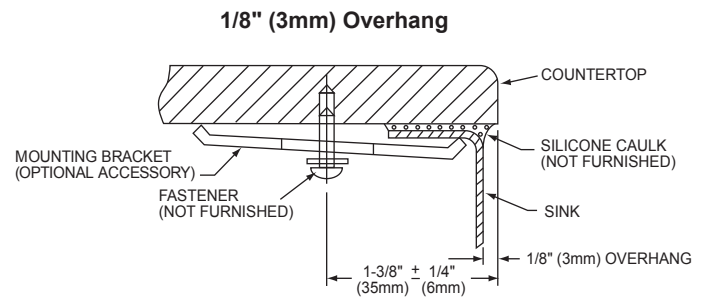
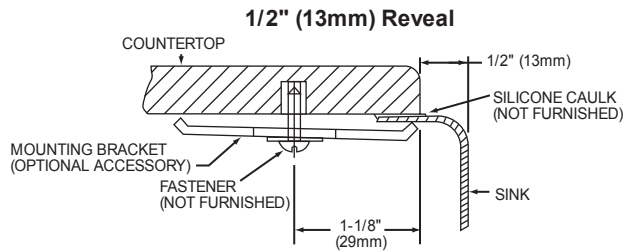
SINK DIMENSIONS (INCHES)*

Model Number	Overall		Inside Bowl			Minimum Cabinet Size
	L	W	L	W	D	
DXUH3118	31-1/4 (794mm)	17-3/4 (451mm)	14 (356mm)	15-3/4 (400mm)	8 (203mm)	36 (914mm)

*Length is left to right. Width is front to back.

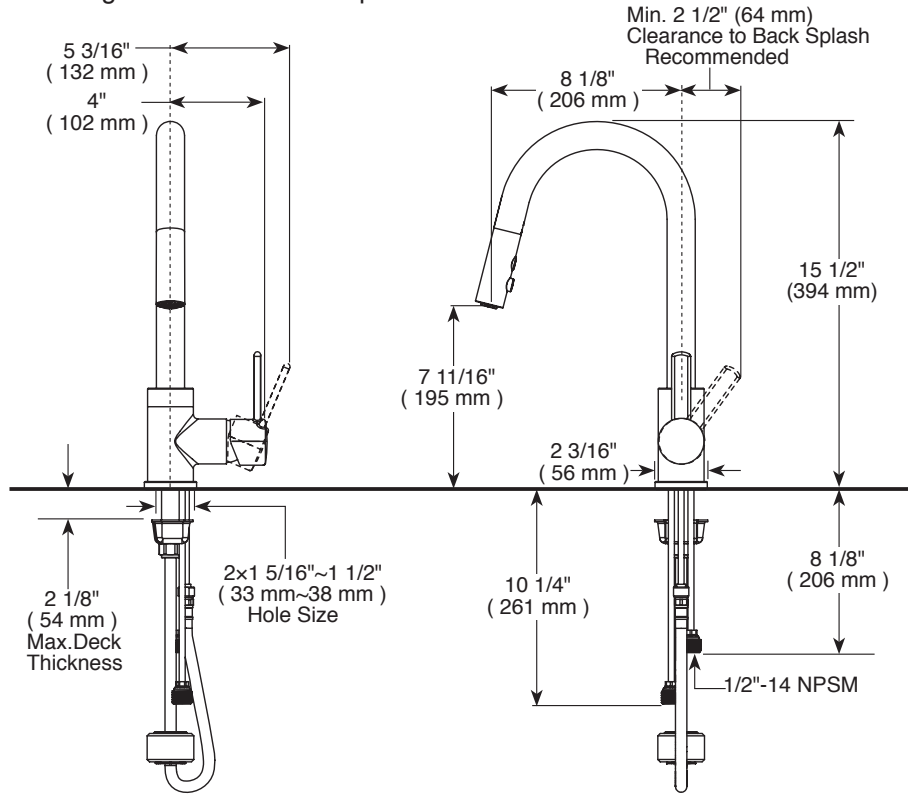


Electronic Dual Template Mounting Option (Download DXF File from www.elkayusa.com)

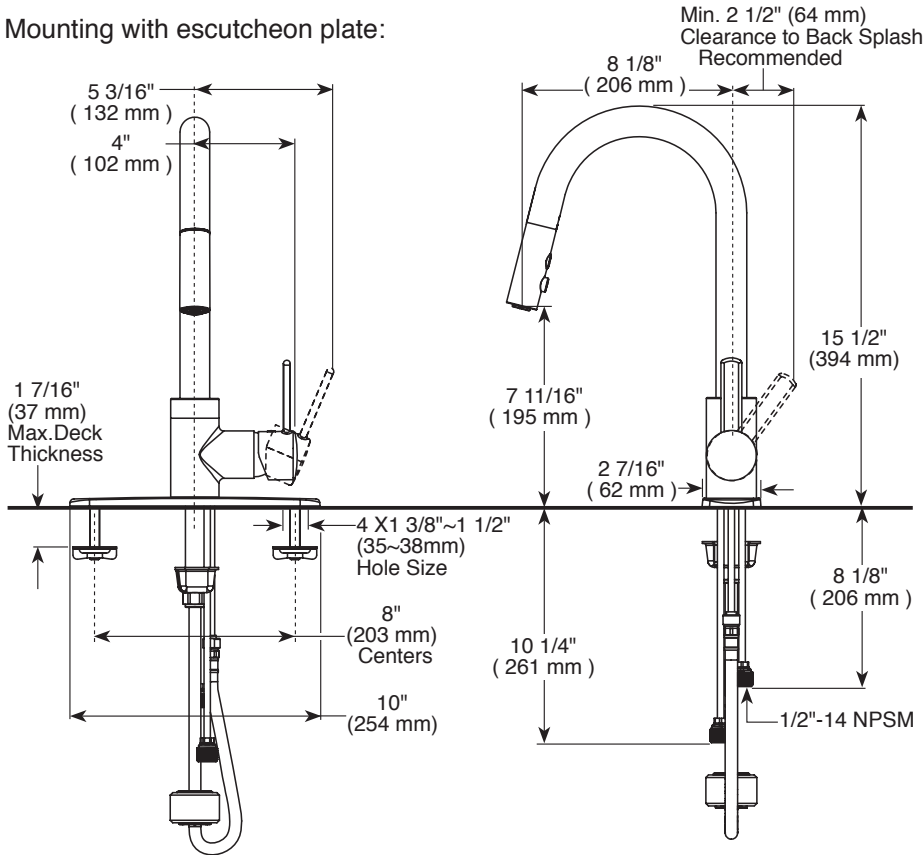


PEERLESS®

Mounting without escutcheon plate:

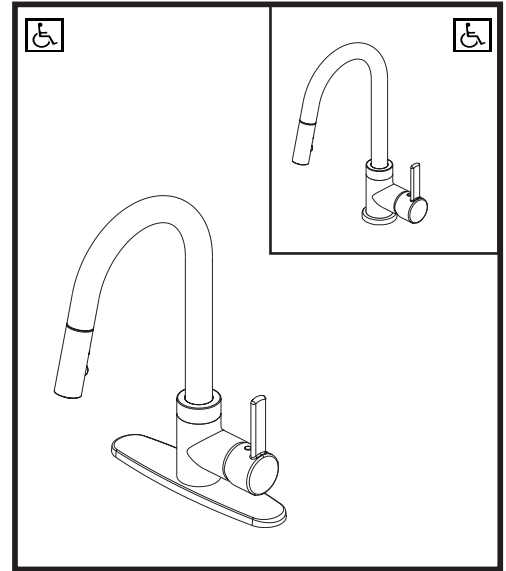


Mounting with escutcheon plate:



KS-1

P188152LF



KITCHEN FAUCET:

- Single Handle Deck Mount
- 1 or 3 Hole Sink Applications


STANDARD SPECIFICATIONS:

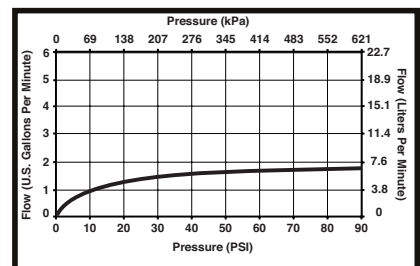
- Maximum flow rate 1.8gpm @ 60 psi, 6.8 L/min @ 414kPa.
- Single handle, 2-function pull-down kitchen faucet for exposed mounting on 1 or 3 hole sinks (escutcheon included).
- 15 1/2" (394mm) high, 8 1/8" (206 mm) long spout, swings 360°.
- Pull-down wand operates in an aerated or spray mode via a toggle diverter with 24" (610 mm) hose.
- 1/2"-14 NPSM threaded male inlet adapters.
- Lever handle with ceramic cartridge.

WARRANTY:

- Lifetime limited warranty on parts (other than electronic parts and batteries) and finishes; or, for commercial users, for 5 years from the date of purchase.
- 5 year limited warranty on electronic parts (other than batteries); or for commercial users, for 1 year from the date of purchase. No warranty is provided on batteries.

COMPLIES WITH:

- ASME A112.18.1 / CSA B125.1
-  Indicates compliance to ICC/ANSI A117.1
- Verified compliant with 0.25% weighted average Pb content regulations.




LUCERNE™ WALL-HUNG LAVATORY

- Wall-hung sink
- Vitreous china
- Front overflow
- D-shaped bowl
- Self-draining deck area with contoured back and side splash shields
- Faucet ledge
- Compliant with Texas accessibility standard (TAS) for children age group 13 and up

Faucet holes on 203mm (8") centers (Illus.):

- 0356.028** For exposed bracket support
Shown with 4801.862 Amarilis Heritage faucet with Triune Cross handles (not included)
- 0356.015** For wall hanger (included) or concealed arms support
- 0356.915** For wall hanger (included) or concealed arms support
 - Less overflow

Faucet holes on 102mm (4") centers:

- 0355.027** For exposed bracket support
- 0355.012** For wall hanger (included) or concealed arms support
- 0355.912** For wall hanger (included) or concealed arms support
 - Less overflow

Single center faucet hole (Illus.):

- 0356.041** For exposed bracket support
Shown with 1340.000 metering faucet (not included)
- 0356.421** For wall hanger (included) or concealed arms support
- 0356.921** For wall hanger (included) or concealed arms support
 - Less overflow
- 0356.439** For wall hanger (included) or concealed arms support
 - Single faucet hole on right
- 0356.066** For exposed bracket support
 - Single faucet hole on right

Nominal Dimensions:

521 x 464mm
(20-1/2" x 18-1/4")

Bowl sizes:

381mm (15") wide
254mm (10") front to back
165mm (6-1/2") deep

Compliance Certifications -
Meets or Exceeds the Following Specifications:

- ASME A112.19.2 / CSA B45.1 for Vitreous China Fixtures


0356.028

0356.041

SEE FOLLOWING PAGES FOR ROUGHING-IN DIMENSIONS

To Be Specified:

- Color: White
- Faucet*:
- Faucet Finish:
- Supplies:
- 1-1/4" Trap:
- Nipple:
- Bracket Support (by others):
- Concealed Arms Support (by others):

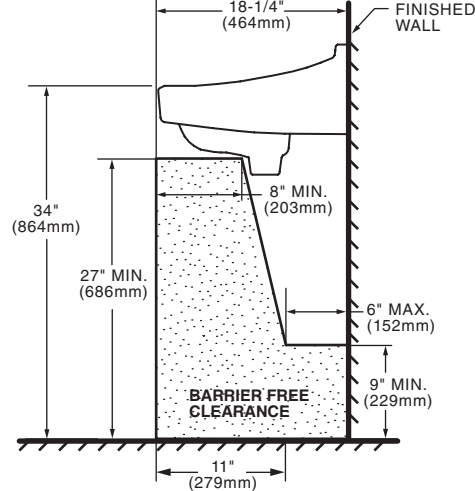
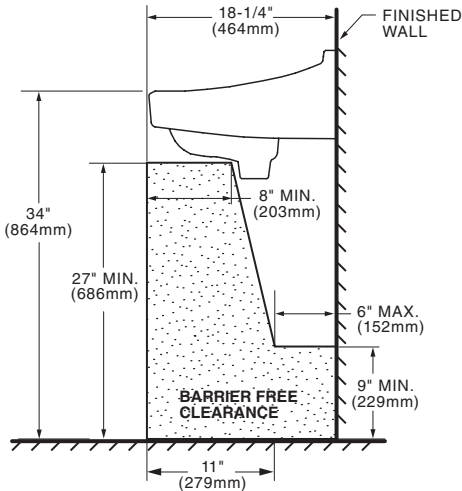
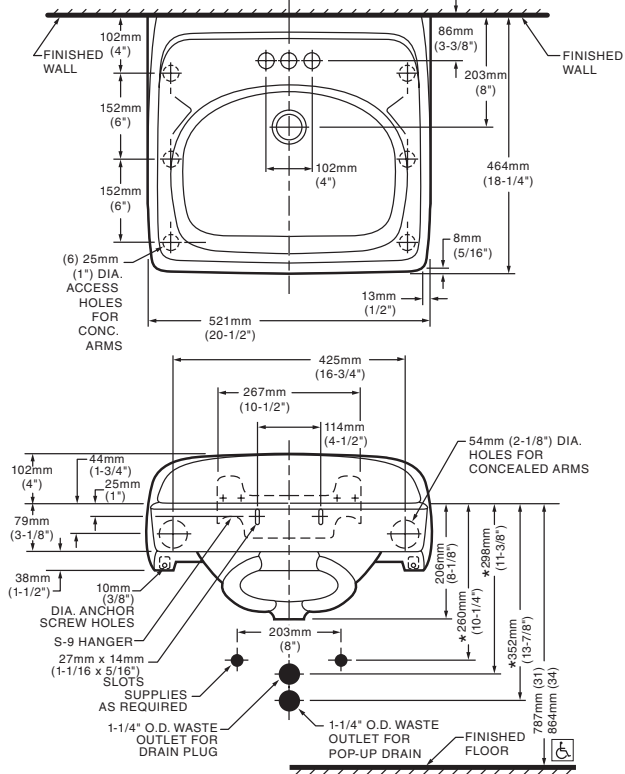
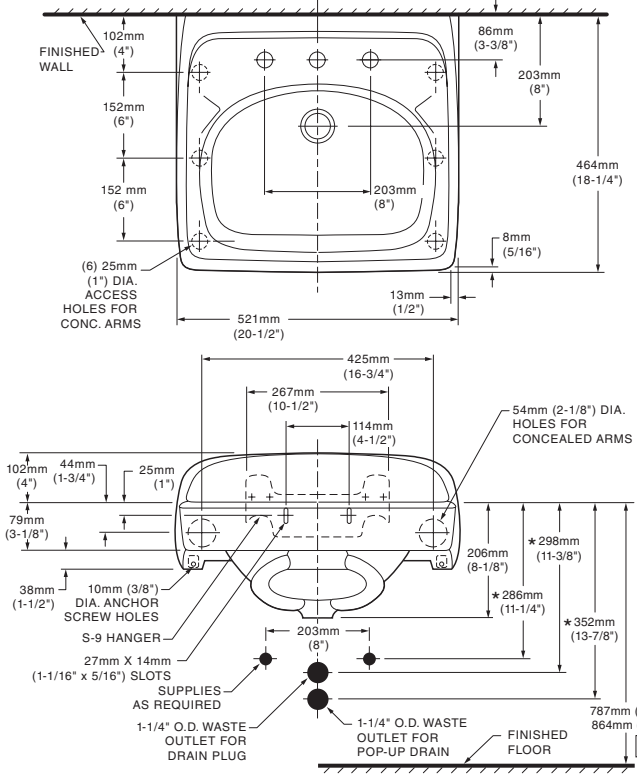
* See faucet section for additional models available


**MEETS THE AMERICANS WITH DISABILITIES ACT GUIDE-
LINES AND ANSI A117.1 ACCESSIBLE AND USABLE
BUILDINGS AND FACILITIES - CHECK LOCAL CODES.**

Top of front rim mounted 864mm (34") from finished floor.

- 0356.028** 8" CTRS FOR EXPOSED BRACKET SUPPORT
- 0356.015** 8" CTRS FOR WALL HANGER OR CONCEALED ARMS
- 0356.915** LESS OVERFLOW

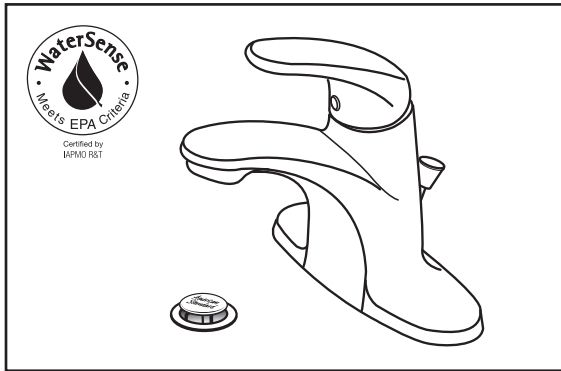
- 0355.027** 4" CTRS FOR EXPOSED BRACKET SUPPORT
- 0355.012** 4" CTRS FOR WALL HANGER OR CONCEALED ARMS
- 0355.912** LESS OVERFLOW



NOTES:
 * DIMENSIONS SHOWN FOR LOCATION OF SUPPLIES AND "P" TRAP ARE SUGGESTED.
 PROVIDE SUITABLE REINFORCEMENT FOR ALL WALL SUPPORTS.
 FITTINGS NOT INCLUDED AND MUST BE ORDERED SEPARATELY.
 CONCEALED ARM SUPPORT AS REQUIRED TO BE FURNISHED BY OTHERS.

IMPORTANT: Dimensions of fixtures are nominal and may vary within the range of tolerances established by ANSI Standard A112.19.2. These measurements are subject to change or cancellation. No responsibility is assumed for use of superseded or voided pages.

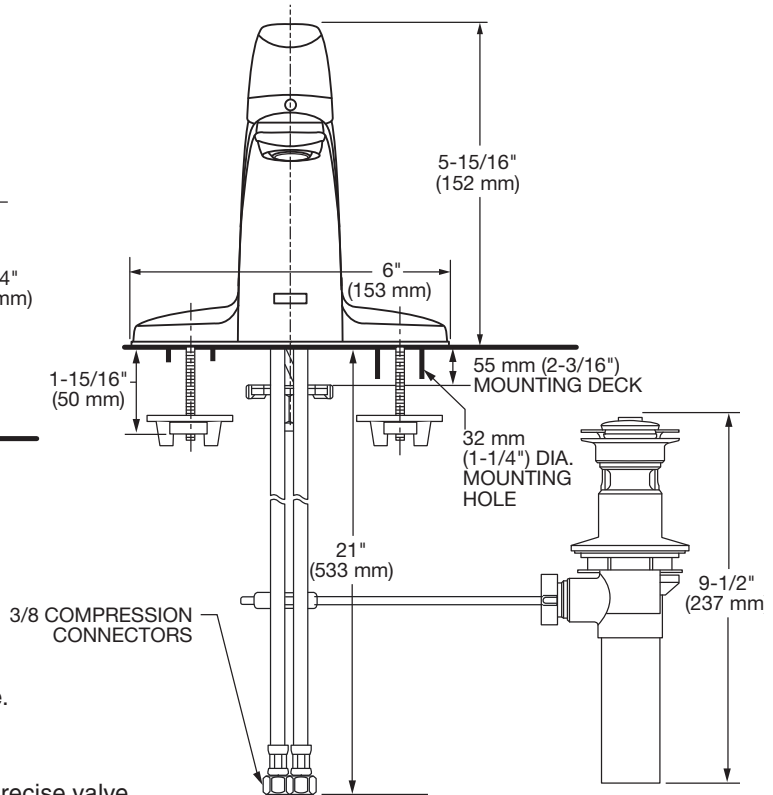
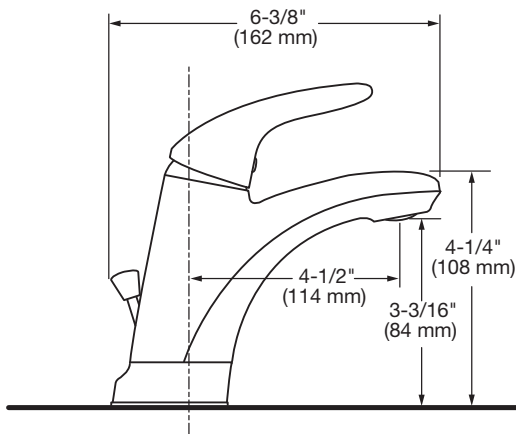
♿ LAVATORY DESIGNED TO MEET ADA HANDICAPPED GUIDELINES WITH MOUNTING HEIGHT SET AT 864MM (34") ABOVE FINISHED FLOOR.



7075.000 Shown

MODEL NUMBER:

- 7075.000 Single Control Centerset**
Metal lever handle. Metal pop-up drain.
- 7075.002 Single Control Centerset**
Metal lever handle. 50/50 pop-up drain.
- 7075.004 Single Control Centerset**
Metal lever handle. Less drain, less pop-up hole & rod.
- 7075.005 Single Control Centerset**
Metal lever handle. Less drain. With pop-up hole & rod.
- 7075.006 Single Control Centerset**
Metal lever handle. Grid drain. Less pop-up rod and hole.



GENERAL DESCRIPTION:

Metal body with metal lever handle. Washerless 35 mm ceramic disc valve cartridge with integral hot limit safety stop. 24" Color-coded braided flexible supply hoses with 3/8" compression connections. 1.2 gpm/4.5 L/min. maximum flow rate.

PRODUCT FEATURES:

Ceramic Disc Valve Cartridge: Assures smooth, precise valve control and a lifetime of drip-free, maintenance-free performance.

Adjustable Hot Limit Safety Stop: Limits the amount of hot water allowed to mix with cold. Reduces the risk of accidental scalding.

Lead Free: Faucet contains ≤ 0.25% total lead content by weighted average.

Simple One-Person Installation: Faucet drops in from top. Quick spin nuts secure faucet in place.

SUGGESTED SPECIFICATION

Single control lavatory fitting shall feature a metal body with metal lever handle. Shall feature flexible hose connections. Shall also feature a washerless ceramic disc valve cartridge with integral hot limit safety stop. Fitting shall be American Standard Model # 7075.

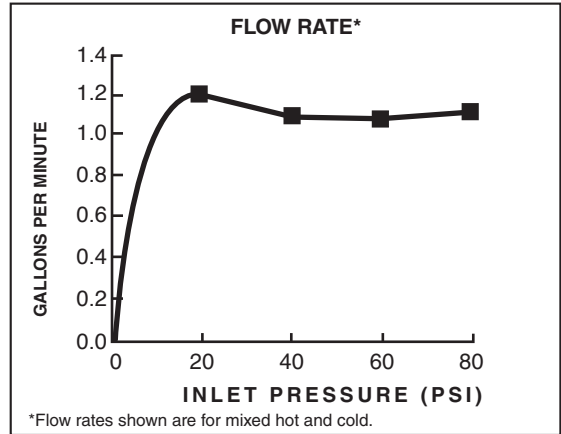


COLONY® PRO
SINGLE CONTROL LAVATORY FAUCET

CODES AND STANDARDS

These products meet or exceed the following codes and standards:

- ANSI A117.1
- ASME A112.18.1
- CSA B125.1
- NSF 61/Section 9
- NSF 372



Product Number	Description	ADA	Finish Options		
			Polished Chrome	Legacy Bronze	PVD Brushed Nickel
			002	278	295
7075.000	Colony PRO Single Control Centerset. Metal lever handle. Metal pop-up drain.	ADA			
7075.002	Colony PRO Single Control Centerset. Metal lever handle. 50/50 pop-up drain.	ADA	X		
7075.004	Colony PRO Single Control Centerset. Metal lever handle. LESS drain, less pop-up hole & rod.	ADA			
7075.005	Colony PRO Single Control Centerset. Less drain. Metal lever handle. With pop-up hole & rod.	ADA			
7075.006	Colony PRO Single Control Centerset. Metal lever handle. Grid drain. Less pop-up rod and hole.	ADA			

Meets the American Disabilities Act Guidelines and **ANSI A117.1** Requirements for the physically challenged.

295

AVA™


Oval, Vitreous China, Drop-In Lavatory

FEATURES

- 7-1/4' x 15-3/4' x 19-5/8' drop-in lavatory
- 5-1/4' x 10-1/4' x 17' basin
- GOOD DESIGN Award winner 2018
- Elegant style with clean curves
- Complements Mansfield® Ava™ bathtubs
- Easy to install
- Concealed front overflow
- Available in single hole, 4" and 8" faucet centers for a personalized look
- Installation template included
- The Mansfield® limited lifetime warranty
- Available in White



COMPONENTS

MODEL #	DESCRIPTION	CODES/STANDARDS
295	Oval, drop-in lavatory. Less faucet, drain assembly and supply.	 <small>C</small>

295
AVA™



Oval, Vitreous China, Drop-In Lavatory

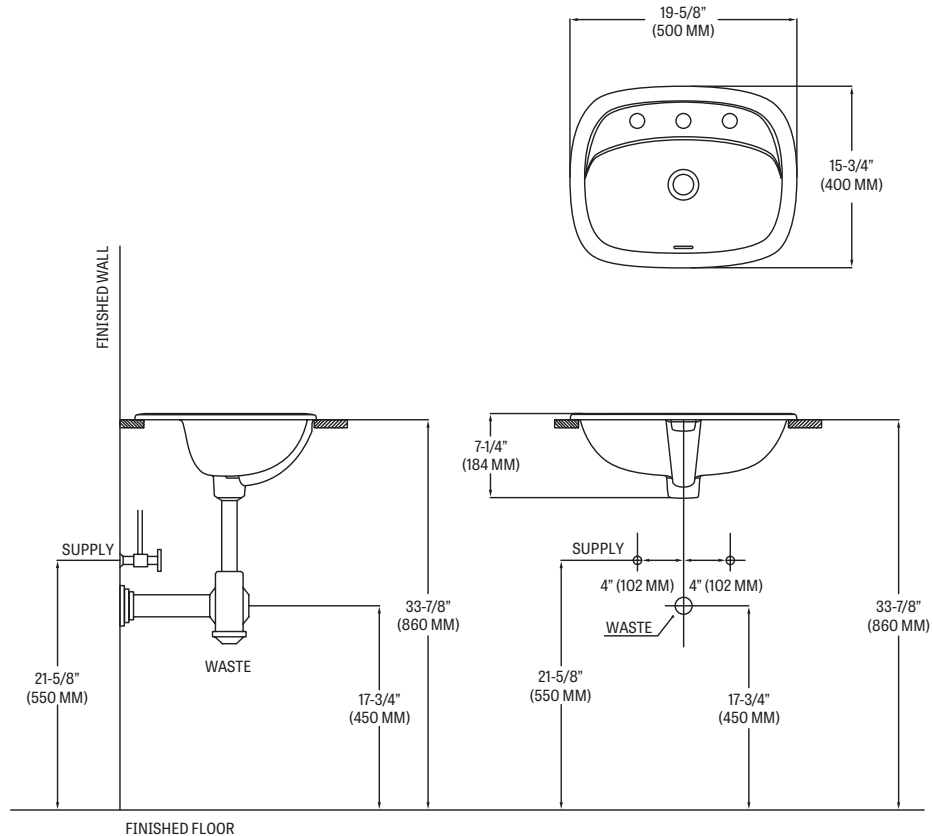
SPECIFICATIONS

MODEL #	DESCRIPTION	CODES/STANDARDS
295	7-1/4' x 15-3/4' x 19-5/8' drop-in lavatory	

MATERIAL	Vitreous China	SHIPPING WEIGHT	15.65 lbs. (7.1 kg)
WARRANTY	Vitreous China - Limited Lifetime		

TECHNICAL INFORMATION

Note: these dimensions are nominal and subject to change without notice.

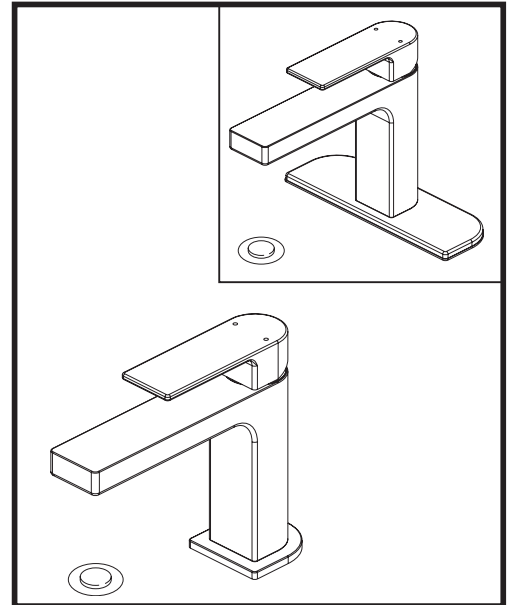


Fixture performance and specifications meet or exceed ASME A112.19.2-2013/CSA B45.1-13 standards, and other state and local codes.

PEERLESS®

Lav-2

P1519LF▲
 P1519LF▲-M
 P1519LF▲-LPU
 P1519LF▲-0.5
 P1519LF▲-M-0.5
 P1519LF▲-LPU-0.5



BATHROOM FAUCET

- Single Handle Deck Mount
- 1 or 3 Hole Sink Applications

STANDARD SPECIFICATIONS:

- Maximum 1.0 gpm @ 60 psi, 3.8 L/min @ 414 kPa (P1519LF▲, P1519LF▲-M & P1519LF▲-LPU)
- Maximum 0.5 gpm @ 60 psi, 1.9 L/min @ 414 kPa (P1519LF▲-0.5, P1519LF▲-M-0.5 & P1519LF▲-LPU-0.5)
- Solid brass casted body
- One or three hole mount (escutcheon optional, included)
- Ceramic cartridge
- Red/Blue indicator markings
- Polymer braided flexible supply hose with 3/8" compression fitting - 29 7/16" (747mm) long
- Models with no suffix have 50/50 pop-up type fitting with plated flange and stopper
- Models with suffix "M" have metal drain with pop-up type fitting with plated flange and stopper
- Models with suffix "LPU" are less pop-up

WARRANTY:

- Parts and Finish - Lifetime limited warranty; or for commercial purchasers, 10 years for multi-family residential (apartments and condominiums) and 5 years for all other commercial uses, in each case from the date of purchase.

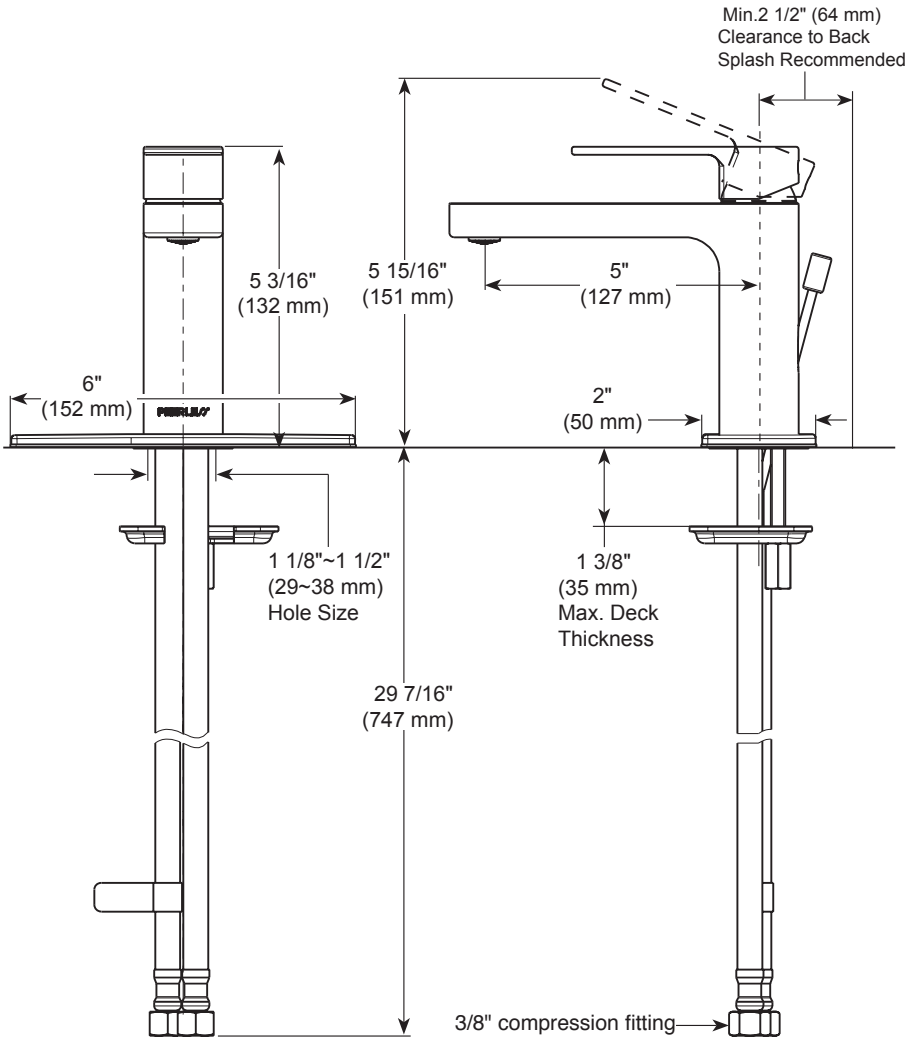


COMPLIES WITH:

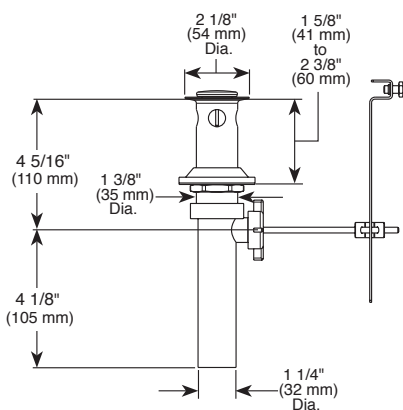
- ASME A112.18.1 / CSA B125.1
- ASME A112.18.2 / CSA B125.2

♿ Indicates compliance to ICC / ANSI A117.1

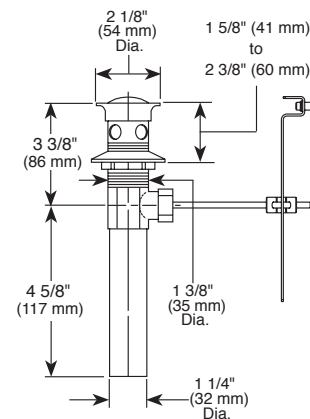
- EPA WaterSense® - Applies to P1519LF▲, P1519LF▲-M & P1519LF▲-LPU only



RP38958▲
50/50 Pop-Up



RP26533▲
Metal Pop-up



▲ Designate proper finish suffix



Design features:

- All Mustee basins are one-piece molded from high impact resistant DURASTONE® structural fiberglass (24" x 36")
- Elevated, self-draining shelf and removable strainer
- Integral, molded-in drain for connection to 3" ABS, PVC (Sch. 80) or cast iron
- Available drain seals for connection to 2" pipe or 3" soil pipe
- Complete range of accessories to meet specific application needs
- Colorfast marbled white finish
- Easy to install

Code Accepted

Mustee Mop Service Basins meet or exceed performance requirements as listed:

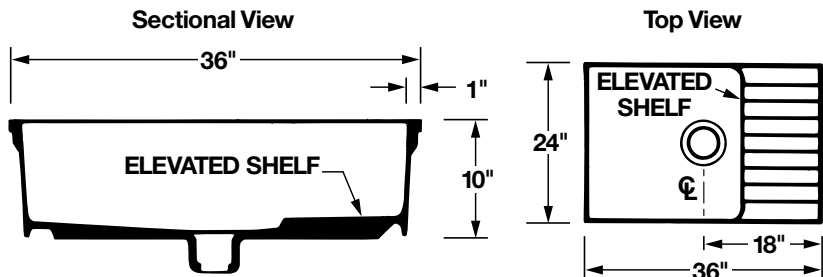
- International Association of Plumbing and Mechanical Officials (IAPMO)® Listed
- Warnock Hersey® (Canada) Listed—CSA test standards: Mop Basins - #B45.0
- American National Standards Institute (ANSI)-Specification Z 124-2011
- American Society of Testing and Materials (ASTM) D 635 E 84 and E 162
- CAN/ULC S102-07 Burn and Smoke Test



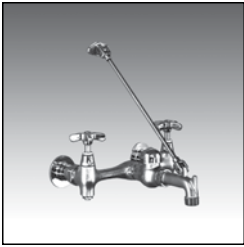
Specifications

Model Number	Color	H x W x D	UPC
65M	White	10" x 36" x 24"	6 71031 00194 8

General: Furnish and install as shown on plans, Mop Service Basin model 65M, as manufactured by E.L. Mustee & Sons, Inc. Unit to be one-piece molded fiberglass made with matched metal molds using extreme heat and pressure. Height shall be 10" with not less than 1" wide shoulder. Size 24" x 36" with integrally molded, self-draining shelf. Drain shall be integrally molded, complete with drain seal for installation of 3" ABS, PVC (Sch. #80) and iron pipe. Removable stainless steel strainer. Performance tested to meet or exceed ANSI Z 124-2011 and FHA/HUD UM-73. Weight 62 lbs., cubic feet 7.0. Install in compliance with local codes.



▶ **Service Faucet**



Model No.	UPC
63.600A	6 71031 00277 8
Heavy duty, chrome plated brass dual handle sink faucet with top reinforcing bar and pail hook on spout.	

▶ **Hose and Hose Holder**



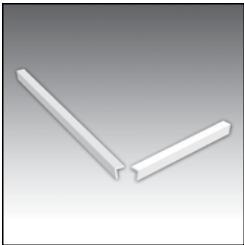
Model No.	UPC
65.700	6 71031 00196 2
Heavy duty 5/8" dia. reinforced 31" rubber hose with brass couplings on one end. Spring loaded, molded rubber hose holder mounts on stainless steel wall plate.	

▶ **Mop Hanger**



Model No.	UPC
65.600	6 71031 00195 5
Three spring-loaded rubber holders mounted to a 3" x 24" stainless steel wall plate. Click here for more information.	

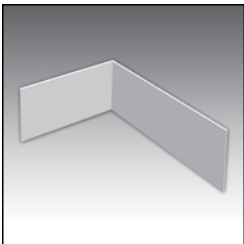
▶ **Bumper Guards**



Available in high impact resistant molded vinyl (3 versions) or stainless steel (2 versions).

Model No.	UPC
High Impact-resistant vinyl	
63.401 20-3/4" Long	6 71031 00290 7
65.403 32-3/4" Long	6 71031 00291 4
Stainless steel	
63.403 20-3/4" Long	6 71031 00409 3
65.404 32-3/4" Long	6 71031 00410 3

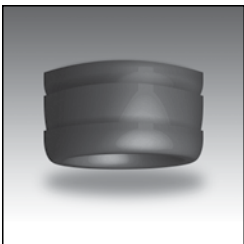
▶ **DURAGUARD™ Wall Guards**



Protects wall surfaces from splashing and damage from impacts, 12" height, 20 gauge #304 stainless steel.

Model No.	UPC
67.2436 Two panels & bracket for 24" x 36" corner	6 71031 00294 5
67.24C One panel & corner bracket	6 71031 00295 2
67.36C One panel & corner bracket	6 71031 00296 9

▶ **Optional Seals**



For installations with the following pipe connections:

Model No.	UPC
65.308 For 2" PVC, ABS and iron	6 71031 00303 4
65.309 For 3" PVC, ABS and iron,(Included w/mop basin)	6 71031 00304 1
65.311 For 3" soil pipe (No-Hub)	6 71031 00305 8

Manual Sink Faucets

897-RCF

MS-1

**CHICAGO
FAUCETS**

Geberit Group

Product Type

Wall-mounted manual sink faucet with 8" centers

Features & Specifications

- Round wall escutcheons
- 8" body, adjustable arms 7-5/8" - 8-3/8" centers
- Vandal Proof 2-3/8" lever handle
- Ceramic 1/4-turn operating cartridge, right-hand
- Ceramic 1/4-turn operating cartridge, left-hand
- CFNow! Item Ships in 3 Days

Performance Specification

- Rated Operating Pressure: 20-125 PSI
- Rated Operating Temperature: 40-140°F

Warranty

- 5-Year Limited Cartridge Warranty
- Lifetime Limited Faucet Warranty
- 1-Year Limited Finish Warranty

Codes & Standards

- ADA ANSI/ICC A117.1
- WARNING: This product can expose you to lead, which is known to the State of California to cause cancer and birth defects or other reproductive harm. For more information go to www.P65Warnings.ca.gov.

Job Name _____

Item Number _____

Section/Tag _____

Model Specified _____

Architect _____

Engineer _____

Contractor _____

Submitted as Shown

Submitted with Variations

Date _____

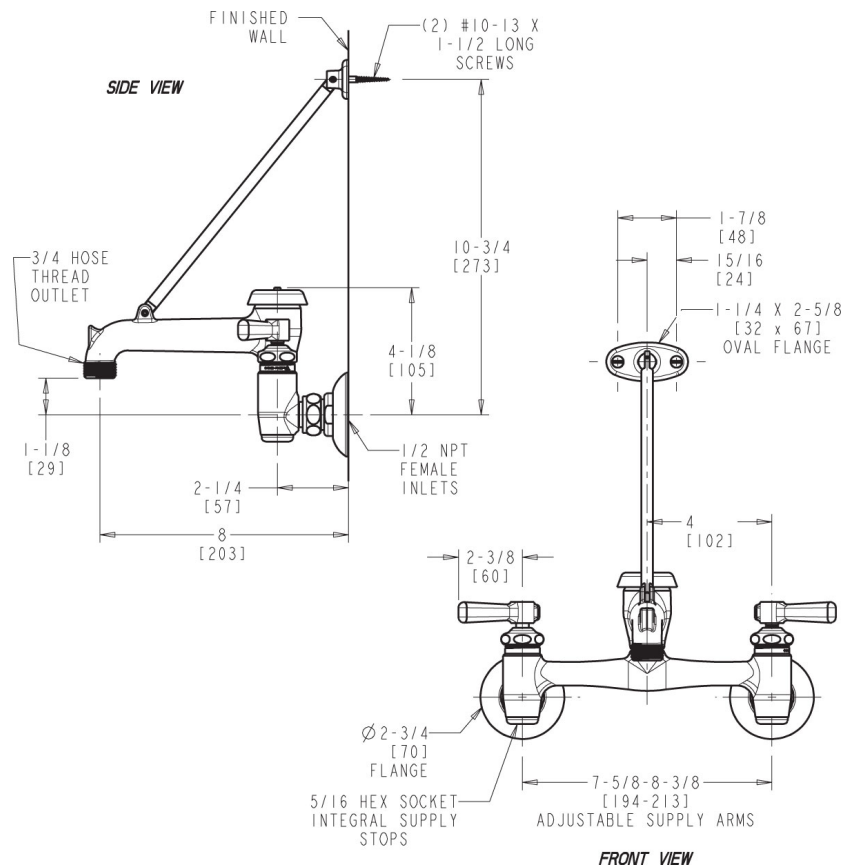


2100 South Clearwater Drive
Des Plaines, IL
P: 847/803-5000
F: 847/803-5454
Technical: 800/TEC-TRUE
www.chicagofaucets.com



Architect/Engineer Specification

Chicago Faucets No. 897-RCF, Sink Faucet for hot and cold water, wall-mounted with 7-5/8" - 8-3/8" adjustable centers. Rough chrome plated. Vacuum breaker spout with pail hook and wall brace. 2-3/8" metal, vandal-proof, lever handles with sixteen-point, tapered broach and secured blue and red index buttons. Quatum™ rebuildable compression cartridge, opens and closes 90°, closes with water pressure, features square, tapered stem. Adjustable supply arms include 1/2" NPT female union nut. 3/4" male hose thread outlet. Round wall escutcheons. Integral stop valves for servicing the faucet. NOTE: Atmospheric vacuum breaker is NOT intended for continuous pressure applications. This product meets ADA ANSI/ICC A117.1 requirements and is tested and certified to industry standards: ASME A112.18.1/CSA B125.1.



Operation and Maintenance

Installation should be in accordance with local plumbing codes. Flush all pipes thoroughly before installation. After installation, remove spout outlet or flow control and flush faucet thoroughly to clear any debris. Care should be taken when cleaning the product. Do not use abrasive cleaners, chemicals or solvents as they can result in surface damage. Use mild soap and warm water for cleaning and protecting the life of Chicago Faucet products. For specific operation and maintenance refer to the installation instructions and repair parts documents that are located at www.chicagofaucets.com.

Chicago Faucets, member of the Geberit Group, is the leading brand of commercial faucets and fittings in the United States, offering a complete range of products for schools, laboratories, hospitals, office buildings, food service, airports and sport facilities. Call 1.800.TECTRUE or 1.847.803.5000 Option 1 for installation or other technical assistance.





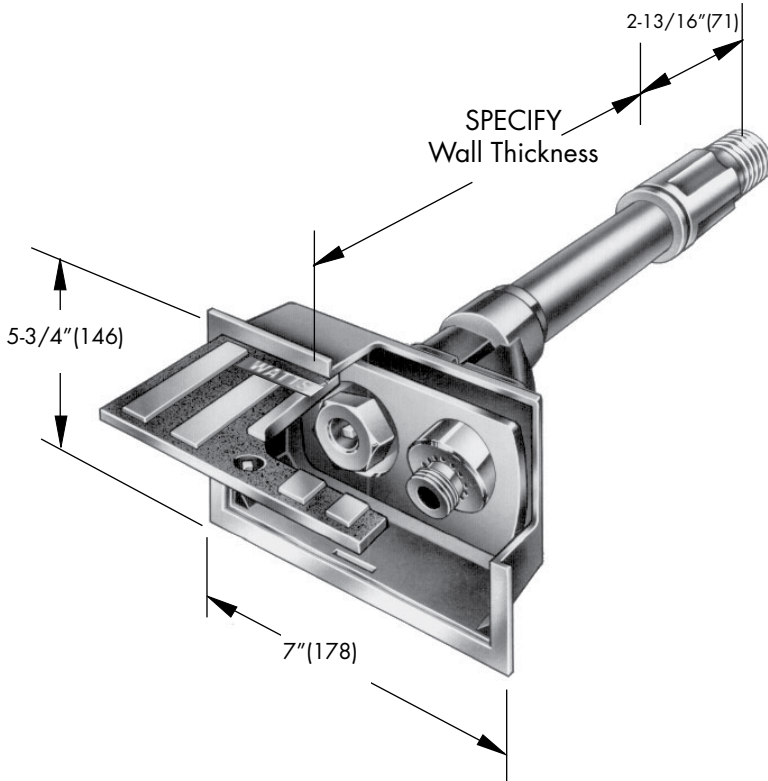
HY-725

Tag: _____

Non-Freeze Wall Hydrant with NB Box, Integral Vacuum Breaker

SPECIFICATION: Watts Drainage HY-725 concealed non-freeze key operated wall hydrant with nickel bronze box and door, chrome plated hydrant face, integral vacuum breaker, 3/4"(19) hose connection, 3/4"(19) female x 1"(25) male pipe connection, all bronze head, seat casting and internal working parts, bronze wall casing, and loose key. Complies with ASSE 1019-2004, UPC/IAMPO Listed. Max operating pressure 125 psi.

FUNCTION: For recessed installation in exterior walls where self-draining integral vacuum breaker is required in areas subject to freezing.

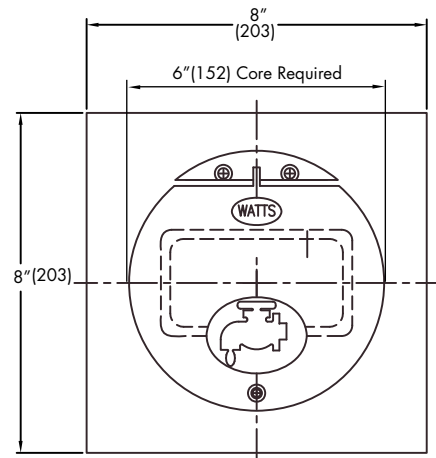


Order Code: HY-725 - -

Ex. HY-725-10-K

Wall Thickness (Select One)		
Suffix	Description	
6	6"(152) Thick	<input type="checkbox"/>
8	8"(203) Thick	<input type="checkbox"/>
10	10"(254) Thick	<input checked="" type="checkbox"/>
12	12"(305) Thick	<input type="checkbox"/>
14	14"(356) Thick	<input type="checkbox"/>
16	16"(406) Thick	<input type="checkbox"/>
18	18"(457) Thick	<input type="checkbox"/>
20	20"(508) Thick	<input type="checkbox"/>
22	22"(559) Thick	<input type="checkbox"/>
24	24"(610) Thick	<input type="checkbox"/>
Other	Specify _____	

Options (Select One or More)		
Suffix	Description	
.88	Wall Clamp	<input checked="" type="checkbox"/>
-K	Keyed Custodian Operation Cylinder Lock	<input type="checkbox"/>
-R	Round Stainless Steel Box	<input type="checkbox"/>
-SS	Cast Stainless Steel Box	<input checked="" type="checkbox"/>



-R Round Box for Tilt-Up Construction

*Lead Free Hydrant

Recommended Wall Opening:
5-1/4" x 6-1/4"(133x158)

Job Name _____
Job Location _____
Engineer _____

Contractor _____
Contractor's P.O. No. _____
Representative _____

Watts product specifications in U.S. customary units and metric are approximate and are provided for reference only. For precise measurements, please contact Watts Technical Service. Watts reserves the right to change or modify product design, construction, specifications, or materials without prior notice and without incurring any obligation to make such changes and modifications on Watts products previously or subsequently sold.

USA: Tel: (800) 338-2581 • Fax: (828) 248-3929 • Watts.com
Canada: Tel: (905) 332-4090 • Fax: (905) 332-7068 • Watts.ca
Latin America: Tel: (52) 81-1001-8600 • Fax: (52) 81-8000-7091 • Watts.com



A Watts Water Technologies Company

COLONY® ELONGATED 12" ROUGH TOILET

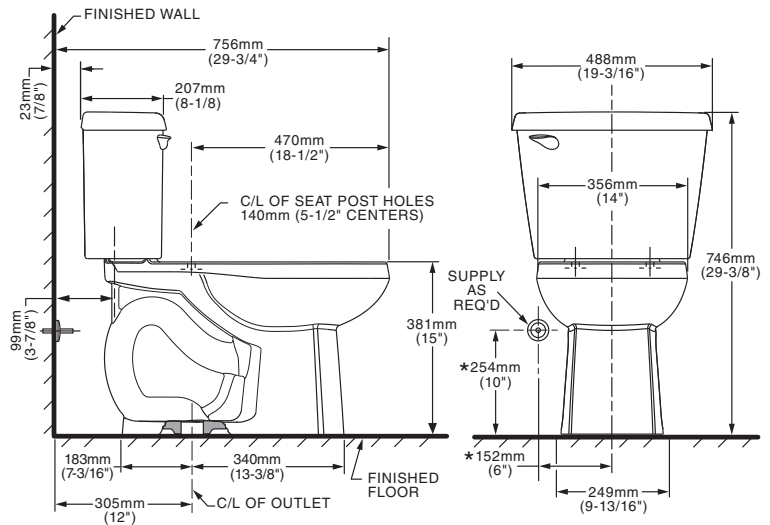
- ❑ **221CA.104**
 - Vitreous china
 - High Efficiency Toilet (HET), ultra-low consumption (4.8 Lpf/1.28 gpf), utilizes 20% less water
 - Meets EPA WaterSense® criteria
 - PowerWash® rim scrubs bowl with each flush
 - Includes color match bowl caps
 - 2" flush valve
 - 2" trapway
 - 12" (305mm) rough-in
 - Generous 9" x 8" water surface area
 - Color matched trip lever is supplied
 - 2 year warranty

- ❑ **221CA.105** Same as above except with trip lever on right side
- ❑ **3251C.101** Elongated Bowl
- ❑ **4192A.104** Tank

Nominal Dimensions:

756 x 488 x 746mm
 (29-3/4" x 19-3/16" x 29-3/8")

Fixture only, seat and supply sold separately



Alternative Tank Configurations Available:

- ❑ **4192A.154** Tank complete with Aquaguard Liner
- ❑ **4192A.164** Tank complete with tank cover locking device
- ❑ **4192A.105** Tank complete with trip lever located on right side

Compliance Certifications - Meets or Exceeds the Following Specifications:

- ASME A112.19.2-2008/CSA B45.1-08 for Vitreous China Fixtures
- US EPA WaterSense® Specification for HETs

NOTES:

THIS TOILET IS DESIGNED TO ROUGH-IN AT A MINIMUM DIMENSION OF 305MM (12") FROM FINISHED WALL TO C/L OF OUTLET. SUPPLY NOT INCLUDED WITH FIXTURE AND MUST BE ORDERED SEPARATELY. * DIMENSION SHOWN FOR LOCATION OF SUPPLY IS SUGGESTED.

IMPORTANT: Dimensions of fixtures are nominal and may vary within the range of tolerances established by ANSI Standard A112.19.2. These measurements are subject to change or cancellation. No responsibility is assumed for use of superseded or voided pages.

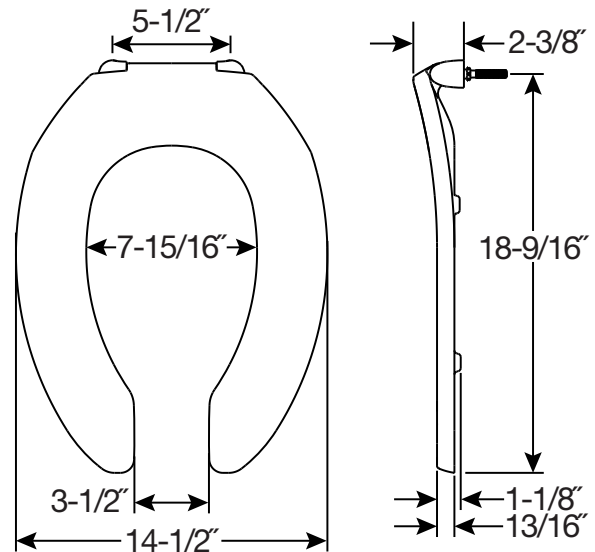
To Be Specified:

- ❑ Color: White Bone Linen
- ❑ Seat: American Standard #5324.019 "Rise and Shine" solid plastic closed front elongated seat with cover
- ❑ Supply with stop:



1955CT / 1955SSCT

COMMERCIAL HEAVY-DUTY
PLASTIC TOILET SEAT



FEATURES:

- **STA-TITE® Commercial Fastening System™**
Eliminates callbacks for loosened seats

SPECIFICATIONS:

Size: Elongated

Material: Plastic

Style: Open Front less Cover

Ring Bumpers: Four

Hinges: Plastic Non Self-Sustaining Check Hinges (1955CT) or Self-Sustaining Check Hinges (1955SSCT) with Non-Corroding 300 Series Stainless Steel Posts and Pintles

Hardware: STA-TITE® Commercial Fastening System™

Codes & Standards:



Complies with
IAPMO/ANSI Z124.5
Performance Standards
Heavy-Duty Commercial



Proudly Made in the USA

Eco-Friendly





COMMERCIAL-GRADE

RESIDENTIAL ELECTRIC WATER HEATERS

PROLINE® COMMERCIAL-GRADE RESIDENTIAL

ENHANCED HEATING ELEMENTS

- Dual 4500 watt elements for faster recovery and reliable operation*
- Incoly stainless steel lower element lasts longer than a standard copper element

SELF-CLEANING DIP TUBE

- Helps reduce lime and sediment buildup, maximizes hot water output. Made from long-lasting PEX cross-linked polymer (self-cleaning design is not used on lowboy models).

HIGHER EFFICIENCY

- Eco-friendly non-CFC foam insulation, heat traps and other features combine to yield a higher Uniform Energy Factor that maximizes savings on operating costs

COREGARD™ ANODE ROD

- Our anode rods have a stainless steel core that extends the life of the anode rod allowing superior tank protection far longer than standard anode rods

BLUE DIAMOND® GLASS COATING

- Provides superior corrosion resistance compared to industry-standard glass lining

ENHANCED-FLOW BRASS DRAIN VALVE

- Our residential water heaters have a solid brass, tamper resistant, enhanced-flow, ball type, drain valve
- Uses a standard female hose fitting that allows for fast and easy draining during maintenance
- Designed for easy operation, this valve includes an integral screwdriver slot that features a ¼ turn (open/close) radius, which not only permits full straight-through water flow but also a quick and positive shut off.

CODE COMPLIANCE

- Meets UBC and ICC National Codes and listed with CEC
- Complies with the Federal Energy Conservation Standards effective April 16, 2015, in accordance with the Energy Policy and Conservation Act (EPCA), as amended.

APPROVED FOR MANUFACTURED HOUSING

- All residential electric water heaters are compliant with HUD Standards for mobile homes/manufactured housing

CERTIFIED TO UL 174 FOR HOUSEHOLD ELECTRIC WATER HEATERS

CSA CERTIFIED AND ASME RATED T&P RELIEF VALVE

DESIGN-LISTED BY UNDERWRITERS LABORATORIES

- Certified at 300 psi test pressure and 150 psi working pressure
- Listed according to UL 174 standards governing storage tank-type electric water heaters

6-YEAR LIMITED TANK AND PARTS WARRANTY

- For complete information, consult written warranty or go to statewaterheaters.com



SOLID. STATE.



WH-1

COMMERCIAL-GRADE

RESIDENTIAL ELECTRIC WATER HEATERS

Model Number	Nominal Capacity	Rated Storage Volume	First Hour Rating (Gallons)	UEF	Recovery @ 90°F Rise Gallon Per Hour	Element Wattage 240V			Dimensions in Inches			Approx. Shipping Weight (lbs)
						Standard	Minimum	Maximum	A	B	C	
Tall Models												
†ENG 30 DORT	30	27	48	0.89	21	4500	1000	6000	46-1/2	39-1/2	19	95
†ENG 40 DORT	40	36	53	0.92	21	4500	3500	6000	61-1/4	53-1/4	18	118
†ENG 50 DORT	50	46	62	0.92	21	4500	@ 3000	6000	60-1/2	51-1/4	20-1/2	125
†ENG 50 DORTW	50	46	45	0.88	11	-	1000	2500	60-1/2	51-1/4	20-1/2	125
†ENG 55 DORT	55	55	72	0.93	21	4500	2500	6000	56-1/2	48-1/2	24	145
Short Models												
ENG 30 DOBS*	30	27	50	0.90	21	4500	1000	6000	39	30-1/2	20	95
†ENG 30 DORS	30	27	47	0.89	21	4500	1000	6000	39-3/4	30-1/2	22	94
†ENG 40 DORS	40	37	55	0.92	21	4500	@ 4500	6000	49-3/4	40-3/4	20-1/2	109
†ENG 40 DORSW	40	37	41	0.88	18	-	1000	4000	49-3/4	40-3/4	20-1/2	109
†ENG 50 DORS	50	46	57	0.92	21	4500	2500	6000	49-1/4	40-3/8	23	161
Lowboy Top Connect Models												
†ENG 30 DOLBS*	28	26	43	0.89	21	4500	1000	6000	30	21-3/4	20	90
†ENG 30 DOLS	28	26	44	0.90	21	4500	1000	6000	31-1/4	21-3/4	24	115
†ENG 36 DOLS	36	33	51	0.92	21	4500	@ 4500	6000	32	24	24	118
†ENG 36 DOLSW	36	33	37	0.89	18	-	1000	4000	32	24	24	118
†ENG 40 DOLS	38	35	50	0.89	21	4500	1000	6000	33-1/2	24	26	118
†ENG 40 DOLBS*	38	35	51	0.92	21	4500	@ 4500	6000	32	24	23	118
†ENG 40 DOLBSW*	38	35	38	0.90	18	-	1000	4000	32	24	23	118
†ENG 50 DOLBS*	48	44	60	0.93	21	4500	@ 4000	6000	34	25	26-1/2	172
†ENG 50 DOLBSW*	48	44	40	0.91	16	-	1000	3500	34	25	26-1/2	172
†ENG 50 DOLS	51	48	51	0.92	21	4500	4000	6000	36	25	26-1/2	172

Male 3/4" water connections on 8" center.

*Models ship with supplied insulation blanket.

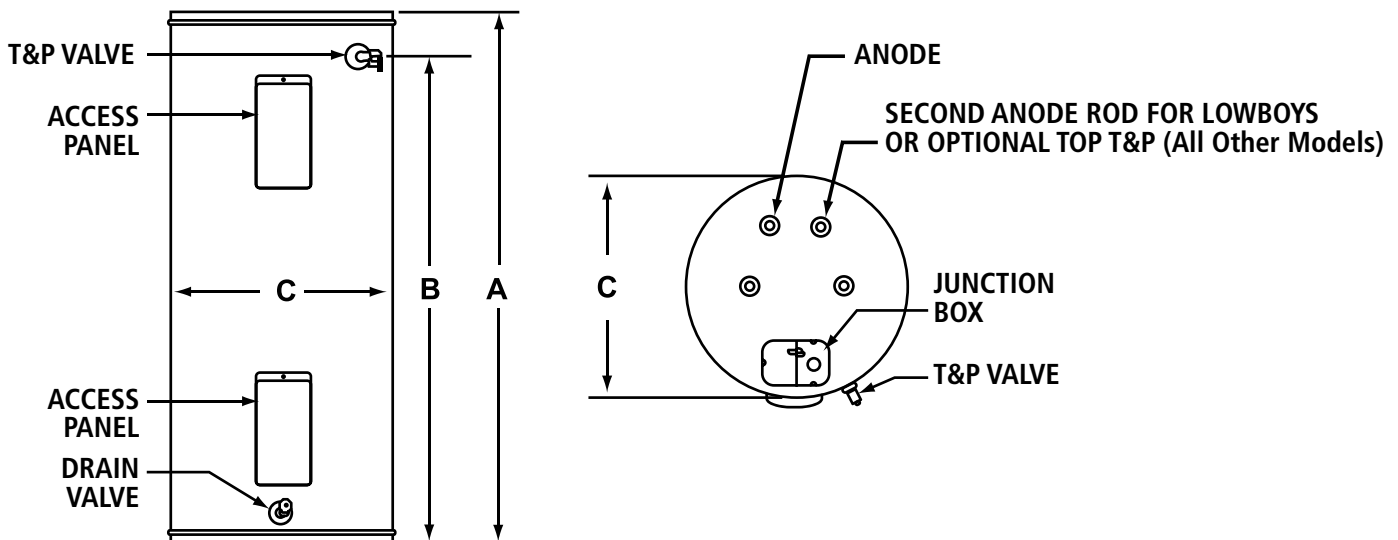
†For 10-year tank and 10-year parts limited warranty, change "N6" to "SX" in select models and "R" to "N" in tall and short model number (example: ESX 40 DONT).

Models requiring a lower wattage than what is listed in the minimum wattage column and showing the @ symbol, will change to a "W" suffix model number.

"W" suffix models are available down to 1kW. (example: EN6-40-DORS using 4,000 watt elements or less will become "EN6-40-DORSW").

Top T&P is not available on the 10 year lowboy models and the EN6 40 DOLS.

Dimensions and specifications subject to change without notice in accordance with our policy of continuous product improvement.



FOR MORE INFORMATION CONTACT: STATE WATER HEATERS 500 TENNESSEE WALTZ PARKWAY, ASHLAND CITY, TN 37015 • 800-365-0024 TOLL-FREE USA • STATEWATERHEATERS.COM