

HOOD INFORMATION - Job#3415387															
HOOD NO.	TAG	MODEL	LENGTH	MAX. COOKING TEMP.	EXHAUST PLENUM RISER(S)					TOTAL SUPPLY CFM	HOOD CONSTRUCTION	HOOD CONFIG.			
					TOTAL EXH. CFM	WIDTH	LENG. HEIGHT	DIA.	CFM			VEL.	S.R.	END TO END	ROW
1		6024 ND-2-PSP-F	13' 0"	600 Deg.	2990		4"	18"	2990	1692	-0.619"	2392	430 SS Where Exposed	ALONE	ALONE

HOOD INFORMATION																	
HOOD NO.	TAG	TYPE	FILTER(S)				LIGHT(S)				UTILITY CABINET(S)		FIRE SYSTEM	HOOD PIPING	WGT		
			QTY.	HEIGHT	LENGTH	EFFICIENCY @ 7 MICRONS	QTY.	TYPE	WIRE GUARD	LOCATION	SIZE	TYPE				SIZE	
1		SS Baffle with Handles	9	16"	16"	30%	4	Screw In Compact	NO	Right	12"x60"x24"	Ansul R102	3.0/3.0	DCV-1111	1 Light 1 Fan	YES	876 LBS

PERFORATED SUPPLY PLENUM(S)										
HOOD NO.	TAG	POS.	LENGTH	WIDTH	HEIGHT	TYPE	RISER(S)			S.R.
							WIDTH	LENG.	DIA.	
1		Front	168"	16"	6"	MUA	12"	28"	797	0.204"
						MUA	12"	28"	797	0.204"
						MUA	12"	28"	797	0.204"

Fire System Information - Job#3415387						INSTALLATION			GAS VALVE(S)		
FIRE SYSTEM NO.	Tag	TYPE	SIZE	FLOW POINTS	SYSTEM	LOCATION ON HOOD	TYPE	SIZE	SUPPLIED BY		
1		Ansul R102	3.0/3.0	16	Fire Cabinet Right	Right	1	Mechanical	2,000	Distributor	

ELECTRICAL PACKAGE - Job#3415387												
NO.	TAG	PACKAGE #	LOCATION	SWITCHES		OPTION	FANS CONTROLLED					
				LOCATION	QUANTITY		FAN TAG	TYPE	Φ	H.R.	VOLT	FLA
1		DCV-1111	Utility Cabinet Right	04 - Utility Cabinet Right	1 Light	Smart Controls DCV	EF-1	Exhaust	3	1,000	208	3.8
				Hood # 1	1 Fan		HMUA-1	Supply	3	2,000	208	5.9

VERIFY CEILING HEIGHT

HEIGHT REQUIRED TO VERIFY THAT HOOD FITS SPACE AND TO SIZE THE ENCLOSURE PANELS

CUSTOMER APPROVAL TO MANUFACTURE:

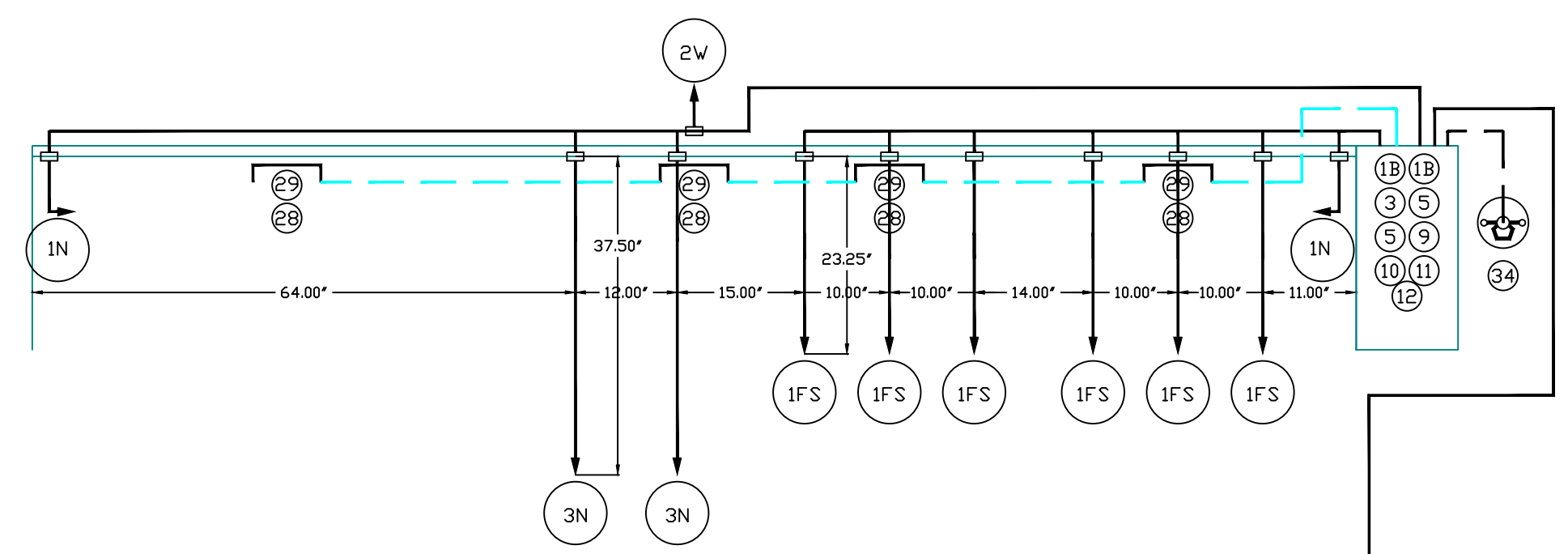
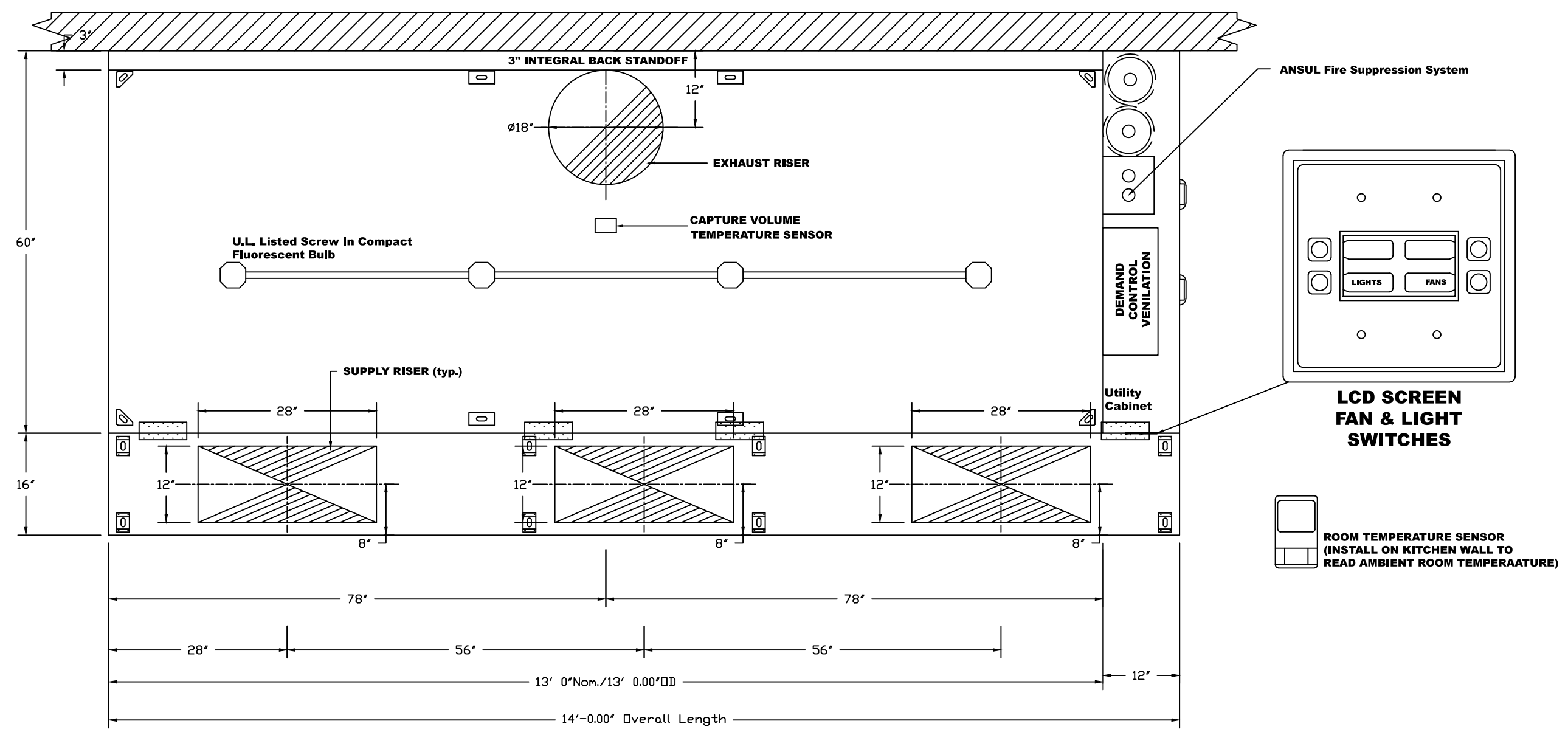
Approved as Noted

Approved with NO Exception Taken

Revise and Resubmit

SIGNATURE _____

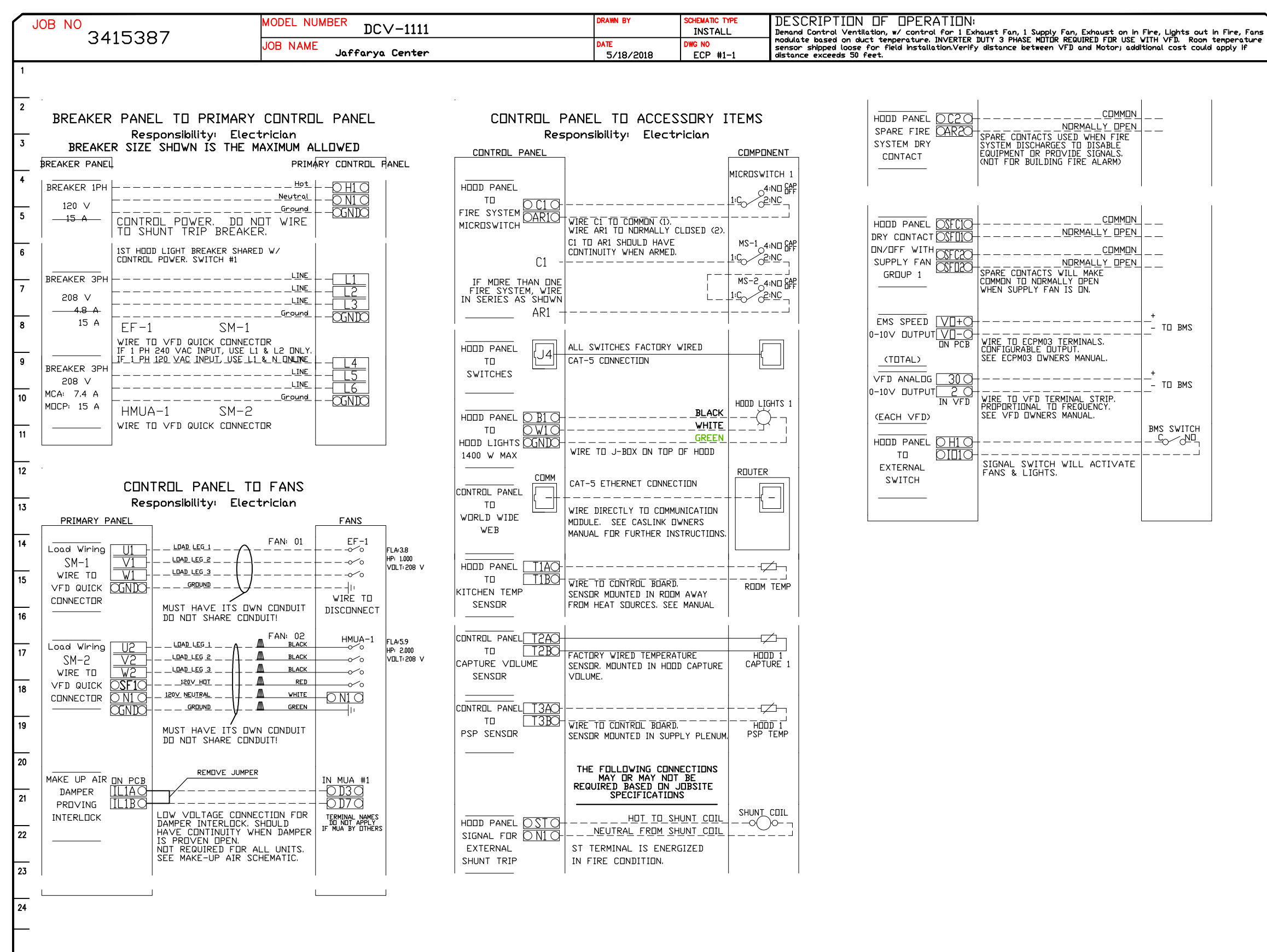
Your Title _____ Date _____



LEGEND - FIRE CABINET ANSUL SYSTEM

- 1B 3 GALLON TANK
- 3 OEM REGULATED RELEASE ANSULOX LIQUID AGENT (3 GAL.) CARTRIDGE (101-30)
- 9 TEST LINK
- 10 DOUBLE MICROSWITCH
- 11 HOSE ASSEMBLY
- 12 NOZZLE ASSEMBLY (419337)
- 1F NOZZLE ASSEMBLY (419335)
- 3N NOZZLE ASSEMBLY (419338)
- 28 DETECTOR BRACKET
- 29 LOW TEMP FUSIBLE LINK
- 30 HIGH TEMP FUSIBLE LINK
- MGV MECHANICAL GAS VALVE
- EGV ELECTRICAL GAS VALVE
- 34 REMOTE MANUAL PULL STATION
- S SWIVEL ADAPTOR

--- = FIELD PIPING
— = FACTORY PIPING



REVISIONS

NO.	DESCRIPTION	DATE
1	Added Dish Hood	05/24/18
2		
3		
4		
5		
6		
7		
8		
9		
10		

ND-2 HANGING ANGLE DETAIL

HOOD STYLE	DIM FROM REAR	DIM FROM FRONT (24" H)	DIM FROM FRONT (30" H)
CANOPY	4.166"	2.246"	2.246"
ND2-PSP-F	4.166"	2.246"	2.246"
BACKSHELF 2847BD	2.00"	14.25"	-
VHB/VHB-G	36"x36"	42"x42"	48"x48"
FRONT/BACK DIMS BY SIZE	2.246"	2.246"	2.246"

HANGING ANGLE LOCATIONS

EXHAUST CFM-LENGTH OF HOOD X CFM/LIN.FT. (LOAD)
SUPPLY CFM-EXHAUST CFM X PERCENTAGE REQUIRED
TOTAL DUCT AREA=144 X _____ CFM
DUCT LENGTH= _____ TOTAL DUCT AREA
DUCT DEPTH

* CAPTIVE-AIRE VENTILATOR DUCT SIZES ARE CALCULATED USING AN EXHAUST VELOCITY OF 1500-1800 FPM AND A SUPPLY VELOCITY OF 1000 FPM.

CALCULATIONS UTILIZED

CAPTIVE-AIRE HOODS ARE BUILT IN COMPLIANCE WITH:

ETL LISTED
UL STANDARD 710
Intertek
#3054804-001
& #3054804-002
Listed under ETL File number 3054804-001/002

BUILDING CODES

CAPTIVE-AIRE HOODS HAVE OPTIONAL CLEARANCE REDUCTION SYSTEMS AVAILABLE AS FOLLOWS:

MATERIAL	CLEARANCE	REDUCTION SYSTEM
NON-COMBUSTIBLE	NONE REQUIRED	
LIMITED-COMBUSTIBLE	3" UNINSULATED STANDOFF	
COMBUSTIBLE	1" INSULATED STANDOFF	

CLEARANCE TO COMBUSTIBLES

INSTALLATION

- ALL ELECTRICAL "FIELD" CONNECTIONS AND RELATED INTERCONNECTIONS BY ELECTRICAL CONTRACTORS.
- ALL PLUMBING "FIELD" CONNECTIONS AND RELATED INTERCONNECTIONS BY PLUMBING CONTRACTORS.
- HANGING BRACKETS LOCATED AND WELDED AS SHOWN ON PLANS. ALL OTHER HANGER MATERIALS PROVIDED BY INSTALLING CONTRACTORS.
- ALL CONNECTIONS FROM CAPTIVE-AIRE HOOD DUCT PER MECHANICAL CONTRACTORS' PLANS.
- COOKING EQUIPMENT TO SHUTOFF IN EVENT OF FIRE.
- EXHAUST FANS TO TURN ON IN EVENT OF FIRE.
- ALL LIGHTS FIXTURE SHOWN INSTALLED BY CAPTIVE-AIRE ARE FACTORY PROVIDED. INTERCONNECTIONS BETWEEN HOODS AND TO SWITCHES BY ELECTRICAL CONTRACTORS.
- LAMPS FOR LIGHT FIXTURES BY INSTALLING CONTRACTORS.
- SEMI-CONDUCTORS ARE RESPONSIBILITY OF INSTALLING CONTRACTOR.
- INSTALLING CONTRACTORS ASSUME ALL RELATED RESPONSIBILITY FOR VERIFICATION OF DIMENSIONAL DATA CONTAINED ON THESE DOCUMENTS FOR ACCURACY, INTEGRATION, AND ADMINISTRATION OF CODE REQUIREMENTS IN EFFECT PRIOR TO ANY RELEASE FOR PRODUCTION OF EQUIPMENT SHOWN.

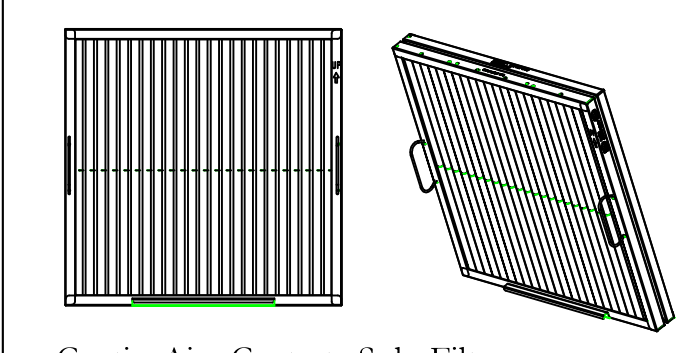
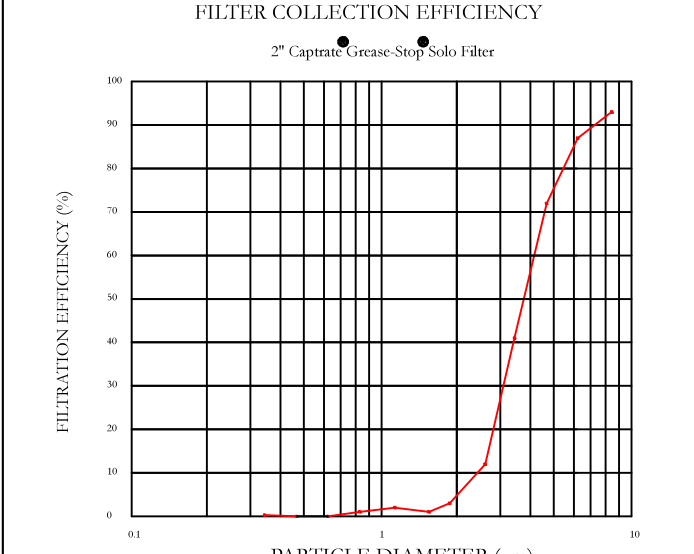
BALANCE

- KITCHEN HOODS MUST BE BALANCED WITH KITCHEN.
- KITCHEN SHALL BE NEGATIVE WITH RESPECT TO DINING AREA.
- RESTAURANT SHALL BE POSITIVE WITH RESPECT TO AMBIENT PRESSURE.

ADDITIONAL

- WRITTEN HOOD DIMENSIONS HAVE PRECEDENCE OVER SCALE.
- SIGNED AND "APPROVED" COPIES OF THIS DOCUMENT MUST BE RECEIVED BY THE FACTORY PRIOR TO COMMENCEMENT OF FABRICATION.

GENERAL NOTES



UPSTATE NEW YORK REGIONAL OFFICE

CAPTIVE-AIRE

www.captiveaire.com
www.captiveaire.com
www.captiveaire.com

Jaffarya Center

DATE: 05-18-2018
DWG.#: 3415387
DRAWN BY: WLG-54
SCALE: Not To Scale
DESIGN

SHEET NO. 1

EXHAUST FAN INFORMATION - Job#3415387

FAN UNIT NO.	TAG	FAN UNIT MODEL #	CFM	ESP	RPM	H.P.	B.H.P.	Ø	VOLT	FLA	DISCHARGE VELOCITY	WEIGHT (LBS.)	SONES
1	EF-1	DU180HFA	2990	0.800	1127	1.000	0.7680	3	208	3.8	691 FPM	148	15.4

MUA FAN INFORMATION - Job#3415387

FAN UNIT NO.	TAG	FAN UNIT MODEL #	BLOWER	HOUSING	MIN CFM	DESIGN CFM	ESP	RPM	H.P.	B.H.P.	Ø	VOLT	FLA	WEIGHT (LBS.)	SONES	BURNER EFFICIENCY(%)
2	HMUA-1	A1-D.250-G10	G10	A1-D.250	1000	2392	0.500	1188	2.000	1.2710	3	208	5.9	637	22	92

GAS FIRED MAKE-UP AIR UNIT(S)

FAN UNIT NO.	TAG	INPUT BTUs	OUTPUT BTUs	TEMP. RISE	REQUIRED INPUT GAS PRESSURE	GAS TYPE
2	HMUA-1	196273	180571	70 deg F	7 in. w.c. - 14 in. w.c.	Natural

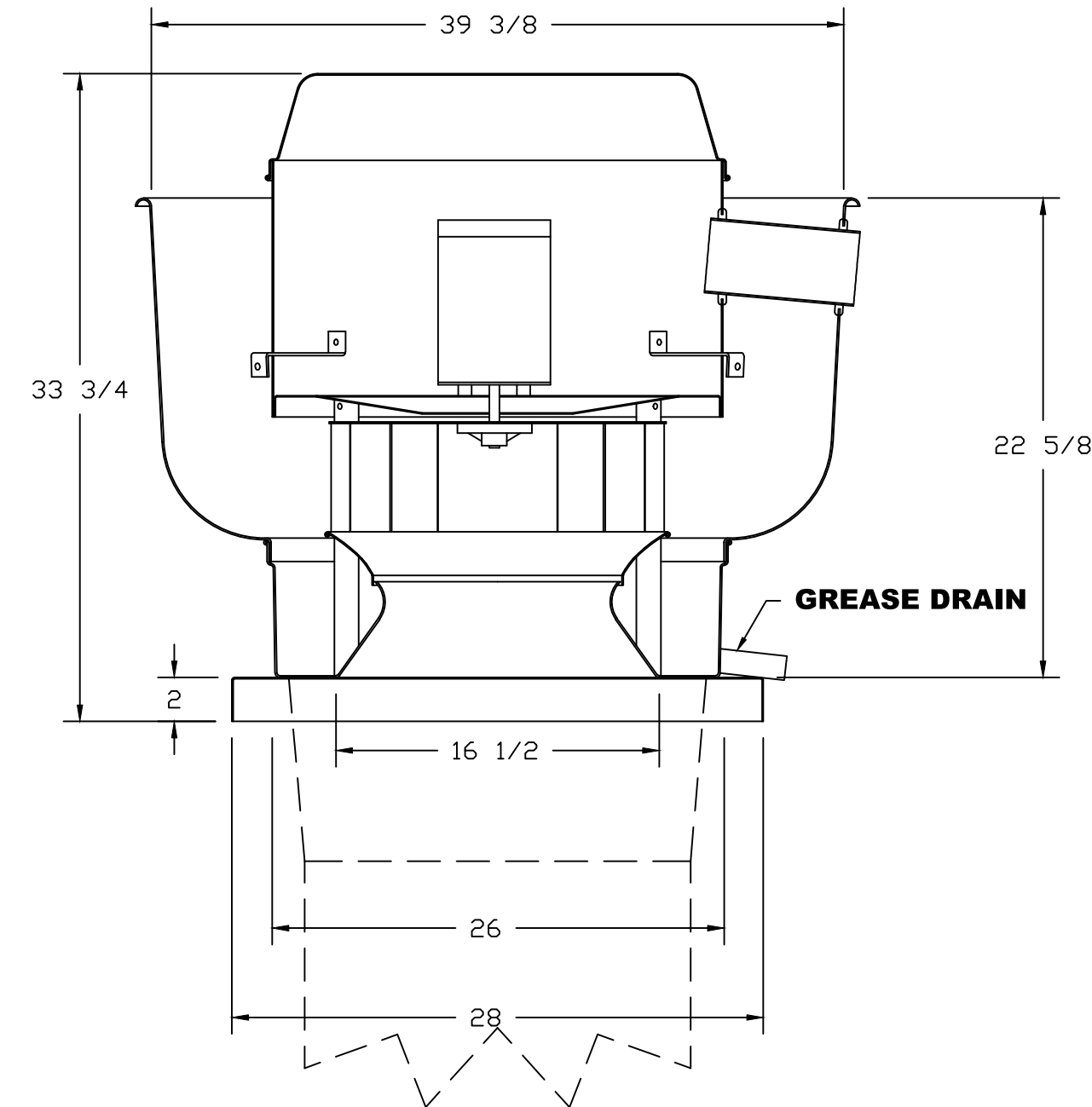
FAN OPTIONS

FAN UNIT NO.	TAG	OPTION (Qty. - Descr.)
1	EF-1	1 - Grease Box
2	HMUA-1	1 - AC Interlock Relay - 24VAC Coil
		1 - Motorized Backdraft Damper for A1-D Housing
		1 - Low Fire Start
		1 - Inlet Pressure Gauge, 0-35"
		1 - Manifold Pressure Gauge, -5 to 15" wc
		1 - Curb Duct Hanger
		1 - Separate 120V Wiring Package (Required and used only for DCV or Prewire with VFD) - Three Phase Only

CURB ASSEMBLIES

NO.	ON FAN	TAG	WEIGHT	ITEM	SIZE
1	# 1	EF-1	41 LBS	Curb	26.500"W x 26.500"L x 20.000"H Vented Hinged
2	# 2	HMUA-1	63 LBS	Curb	21.000"W x 71.000"L x 20.000"H Insulated

FAN #1 DU180HFA - EXHAUST FAN (EF-1)



FEATURES:

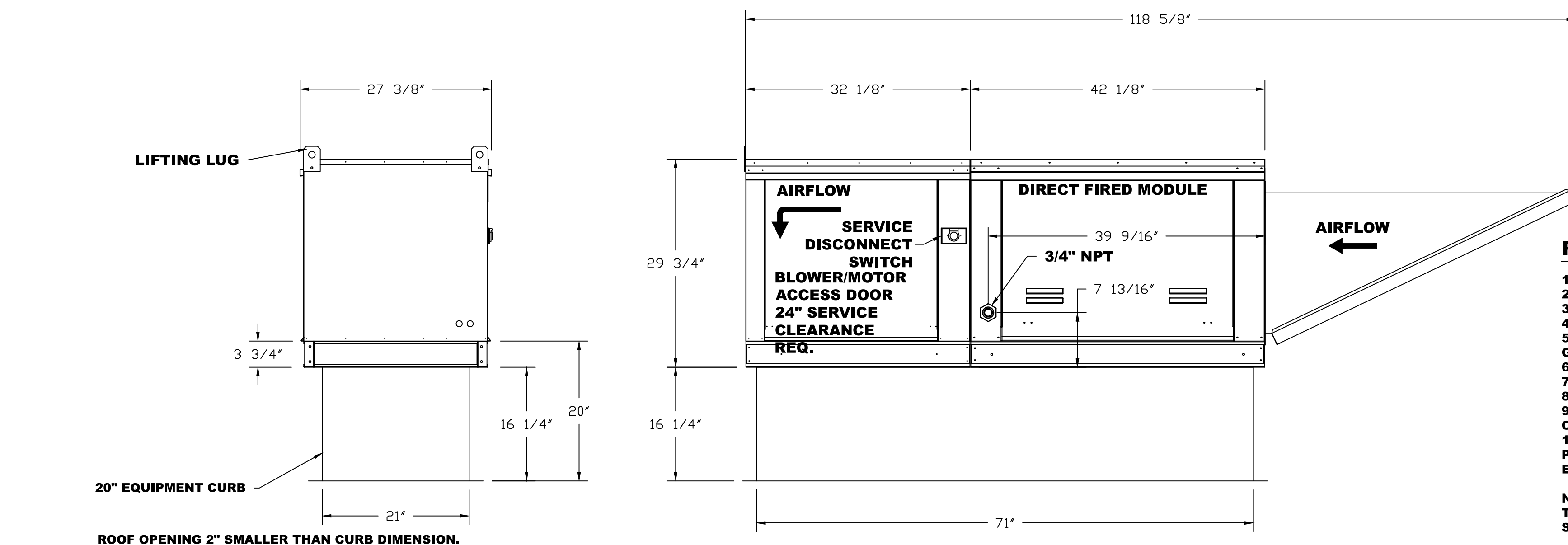
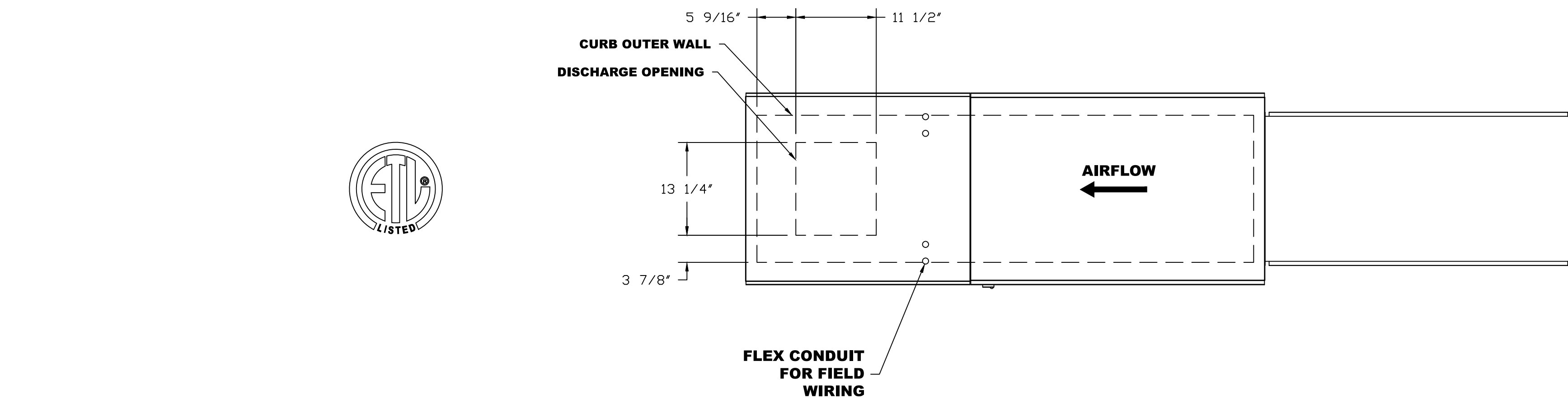
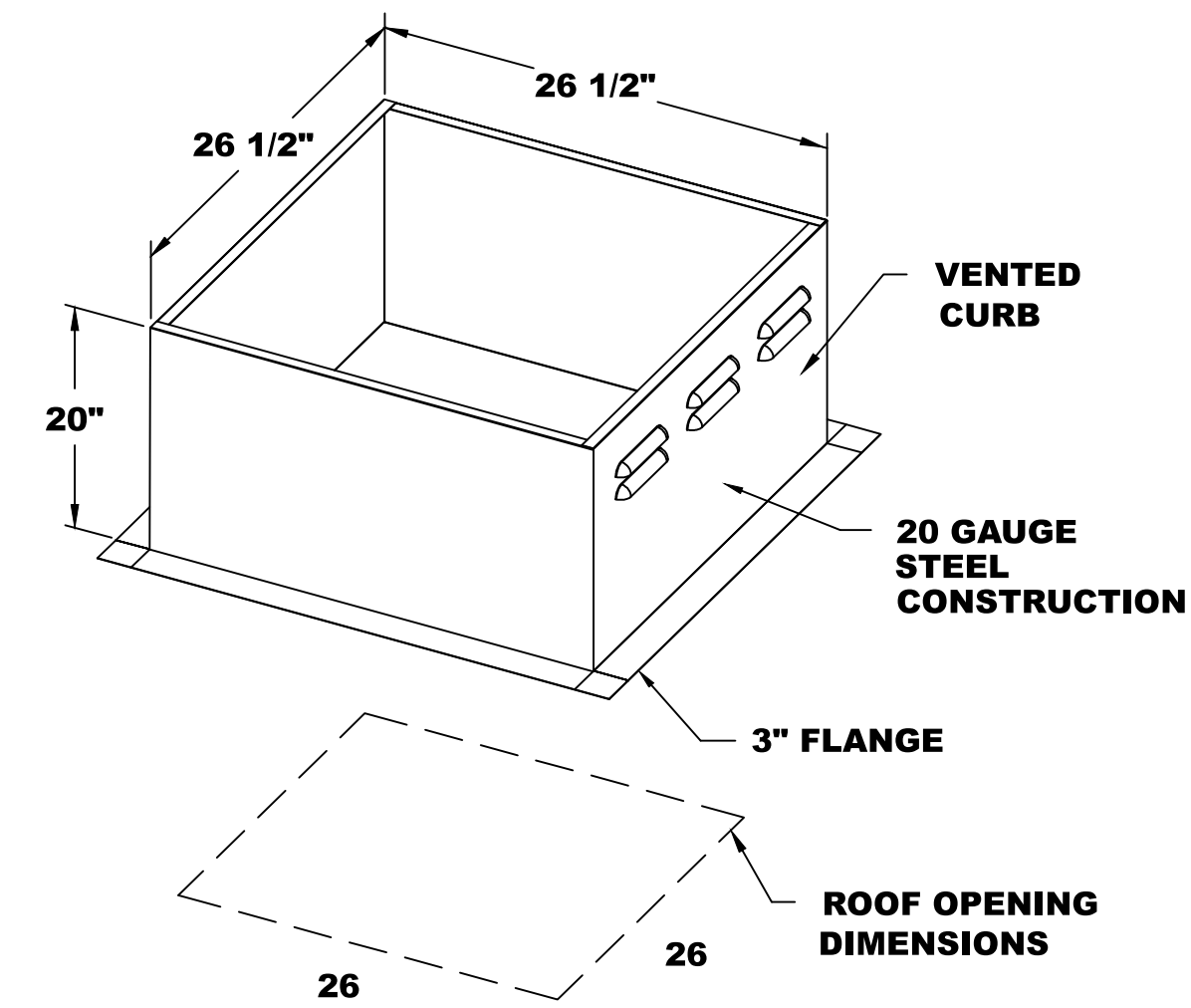
- DIRECT DRIVE CONSTRUCTION (NO BELTS/PULLEYS)
- ROOF MOUNTED FANS
- RESTAURANT MODEL
- UL705 AND UL762 AND ULC-S645
- VARIABLE SPEED CONTROL
- INTERNAL WIRING
- WEATHERPROOF DISCONNECT
- THERMAL OVERLOAD PROTECTION (SINGLE PHASE)
- HIGH HEAT OPERATION 300°F (149°C)
- GREASE CLASSIFICATION TESTING

NORMAL TEMPERATURE TEST
EXHAUST FAN MUST OPERATE CONTINUOUSLY WHILE EXHAUSTING AIR AT 300°F (149°C) UNTIL ALL FAN PARTS HAVE REACHED THERMAL EQUILIBRIUM, AND WITHOUT ANY DETERIORATING EFFECTS TO THE FAN WHICH WOULD CAUSE UNSAFE OPERATION.

ABNORMAL FLARE-UP TEST
EXHAUST FAN MUST OPERATE CONTINUOUSLY WHILE EXHAUSTING BURNING GREASE VAPORS AT 600°F (316°C) FOR A PERIOD OF 15 MINUTES WITHOUT THE FAN BECOMING DAMAGED TO ANY EXTENT THAT COULD CAUSE AN UNSAFE CONDITION.

OPTIONS

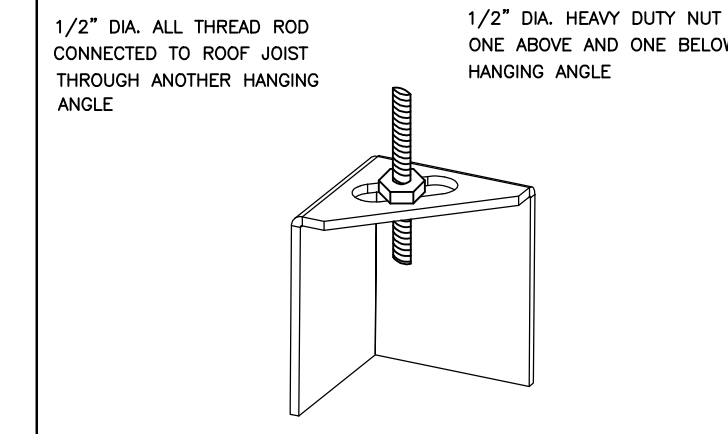
GREASE BOX



FAN #2 A1-D.250-G10 - HEATER (HMUA-1)

1. DIRECT GAS FIRED HEATED MAKE UP AIR UNIT WITH 10" BLOWER
2. INTAKE HOOD WITH EZ FILTERS
3. DOWN DISCHARGE - AIR FLOW RIGHT -> LEFT
4. COOLING INTERLOCK RELAY. 24VAC COIL. 120V CONTACTS. LOCKS OUT BURNER CIRCUIT WHEN AC IS ENERGIZED.
5. MOTORIZED BACK DRAFT DAMPER 16" X 18" FOR SIZE 1 STANDARD & MODULAR HEATER UNITS W/EXTENDED SHAFT, STANDARD GALVANIZED CONSTRUCTION, 3/4" REAR FLANGE, LOW LEAKAGE, TFB120S ACTUATOR INCLUDED
6. LOW FIRE START. ALLOWS THE BURNER CIRCUIT TO ENERGIZE WHEN THE MODULATION CONTROL IS IN A LOW FIRE POSITION.
7. GAS PRESSURE GAUGE, 0-35", 2.5" DIAMETER, 1/4" THREAD SIZE
8. GAS PRESSURE GAUGE, -5 TO +15 INCHES WC., 2.5" DIAMETER, 1/4" THREAD SIZE
9. CURB DUCT HANGER - 1-1/4" ANGLE IRON FRAME WELDED TO CURB TO SUPPORT STANDARD SIZE DUCTWORK. PRICED PER CURB. ONLY AVAILABLE WHEN CURB ASSEMBLY IS ORDERED.
10. SEPARATE 120VAC WIRING PACKAGE FOR MAKE-UP AIR UNITS. OPTION MUST BE SELECTED WHEN MOUNTING VFD IN PREWIRE PANEL OR WITH DCV PACKAGE. PROVIDES SEPARATE 120VAC INPUT TO SUPPLY FAN. THIS 120V SIGNAL MUST BE RUN BY ELECTRICIAN FROM DCV TO MUA SWITCH.

NOTE: SUPPLY DUCT MUST BE INSTALLED TO MEET SMACNA STANDARDS. A MINIMUM STRAIGHT DUCT LENGTH EQUAL TO THREE TIMES THE SUPPLY DUCT EQUIVALENT DIAMETER MUST BE MAINTAINED DOWNSTREAM OF UNIT DISCHARGE UNLESS OTHERWISE SPECIFIED. DO NOT RELY ON UNIT TO SUPPORT DUCT IN ANY WAY.



ND-2 HANGING ANGLE DETAIL

HOOD STYLE	DIM FROM REAR	DIM FROM FRONT (24" H)	DIM FROM FRONT (30" H)
CANOPY ND2	4.166"	2.246"	2.246"
ND2-PSF-F	4.166"	2.246"	2.246"
BACKSHELF 2847BD	2.00"	14.25"	-
VHB/VHB-G	36"X36"	42"X42"	48"X48"
FRONT/BACK DIMS BY SIZE	2.246"	2.246"	2.246"

HANGING ANGLE LOCATIONS

EXHAUST CFM/LENGTH OF HOOD X CFM/LIN.FT. (LOAD)
SUPPLY CFM=EXHAUST CFM X PERCENTAGE REQUIRED
TOTAL DUCT AREA=144 X CFM
DUCT LENGTH= TOTAL DUCT AREA / DUCT DEPTH

CALCULATIONS UTILIZED

CAPTIVE-AIRE HOODS ARE BUILT IN COMPLIANCE WITH:
ETL LISTED
UL STANDARD 710
Intertek
3054804-001
3054804-002
Listed under ETL File number 3054804-001/002

BUILDING CODES

MATERIAL	CLEARANCE REDUCTION SYSTEM
NON-COMBUSTIBLE	NONE REQUIRED
LIMITED-COMBUSTIBLE	3" UNINSULATED STANDOFF
COMBUSTIBLE	1" INSULATED STANDOFF

CLEARANCE TO COMBUSTIBLES

INSTALLATION

1. ALL ELECTRICAL "FIELD" CONNECTIONS AND RELATED INTERCONNECTIONS BY ELECTRICAL CONTRACTORS.
2. ALL PLUMBING "FIELD" CONNECTIONS AND RELATED INTERCONNECTIONS BY PLUMBING CONTRACTORS.
3. HANGING BRACKETS LOCATED AND WELDED AS SHOWN ON PLANS. ALL OTHER HANGER MATERIALS PROVIDED BY INSTALLING CONTRACTORS.
4. ALL CONNECTIONS FROM CAPTIVE-AIRE DUCT PER MECHANICAL CONTRACTOR'S PLANS.
5. COOKING EQUIPMENT TO SHUTOFF IN EVENT OF FIRE.
6. EXHAUST FANS TO TURN ON IN EVENT OF FIRE.
7. ALL LIGHTS FIXTURE SHOWN INSTALLED BY CAPTIVE-AIRE ARE FACTORY PREWIRED. INTERCONNECTIONS BETWEEN HOODS AND TO SWITCHES BY ELECTRICAL CONTRACTORS.
8. LAMPS FOR LIGHT FIXTURES BY INSTALLING CONTRACTORS.
9. SEISMO RESISTANT ARE RESPONSIBILITY OF INSTALLING CONTRACTOR.
10. INSTALLING CONTRACTORS ASSUME ALL RELATED RESPONSIBILITY FOR VERIFICATION OF DIMENSIONAL DATA CONTAINED ON THESE DOCUMENTS FOR ACCURACY, INTEGRATION, AND ADMINISTRATION OF CODE REQUIREMENTS IN EFFECT PRIOR TO ANY RELEASE FOR PRODUCTION OF EQUIPMENT SHOWN.

BALANCE

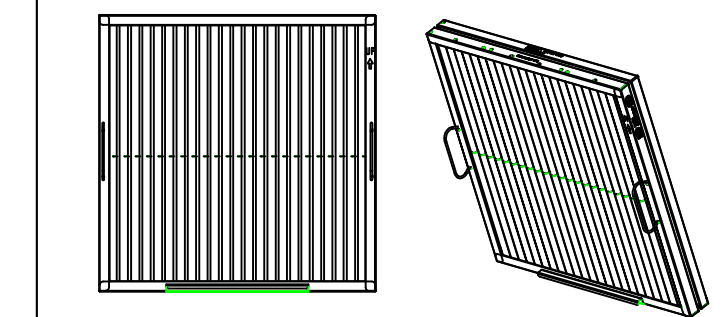
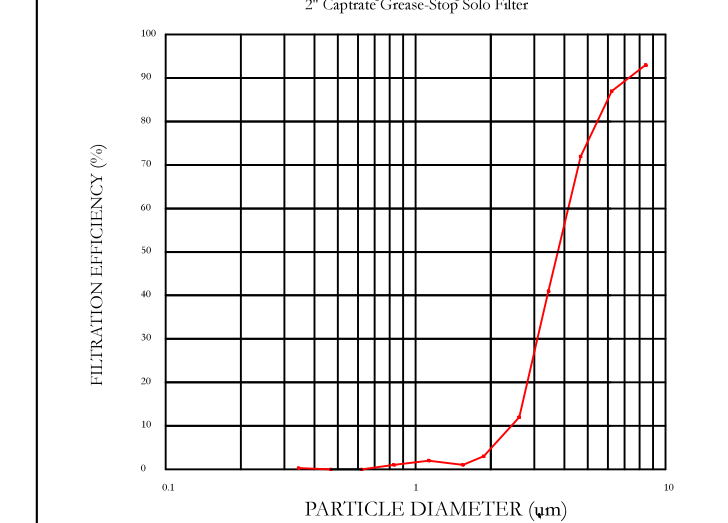
11. KITCHEN HOODS MUST BE BALANCED WITH KITCHEN.
12. KITCHEN SHALL BE NEGATIVE WITH RESPECT TO DINING AREA.
13. RESTAURANT SHALL BE POSITIVE WITH RESPECT TO AMBIENT PRESSURE.

ADDITIONAL

14. WRITTEN HOOD DIMENSIONS HAVE PRECEDENCE OVER SCALE.
15. SIGNED AND "APPROVED" COPIES OF THIS DOCUMENT MUST BE RECEIVED BY THE FACTORY PRIOR TO COMMENCEMENT OF FABRICATION.

GENERAL NOTES

FILTER COLLECTION EFFICIENCY



CaptiveAire Captrate Solo Filter
ETL Listed Grease Extracting Filters
Made From 430 Stainless Steel

FILTER DETAIL

REVISIONS	DESCRIPTION	DATE
1	Added Dish Hood	05/24/18
2		
3		
4		
5		
6		
7		
8		
9		
10		

CAPTIVE
UPSTATE NEW YORK REGIONAL OFFICE
349 W Commercial St., Suite #2370, East Rochester, NY 14445 PHONE: (585) 348-9118 FAX: (919) 227-5027 EMAIL: reg54@captiveaire.com

Jaffarya Center

DATE: 05-18-2018

DWG.#: 3415387

DRAWN BY: WLG-54

SCALE: Not To Scale

DESIGN

SHEET NO. 2

HOOD INFORMATION - Job#3415387

HOOD NO.	TAG	MODEL	LENGTH	MAX. COOKING TEMPR.	EXHAUST PLENUM RISER(S)							TOTAL SUPPLY CFM	HOOD CONSTRUCTION	HOOD CONFIG.		FIRE SYSTEM PIPING	HOOD HANGING WGT
					TOTAL EXH. CFM	WIDTH	LENG. HEIGHT	DIA.	CFM	VEL.	S.P.			END TO END	ROW		
2		4824 VHB-G	5' 0"	700 Deg.	750		4"	12"	750	955	-0.085"	0	304 SS 100%	ALONE	ALONE	NO	206 LBS

HOOD OPTIONS

HOOD NO.	TAG	OPTION
2		FIELD WRAPPER 18.00" High Front, Left, Right

EXHAUST FAN INFORMATION - Job#3415387

FAN UNIT NO.	TAG	FAN UNIT MODEL #	CFM	ESP.	RPM	H.P.	B.H.P.	Ø	VOLT	FLA	DISCHARGE VELOCITY	WEIGHT (LBS.)	SONES
3	EF-2	DU33HFA	750	0.350	1230	0.333	0.1240	1	115	4.4	371 FPM	69	7.9

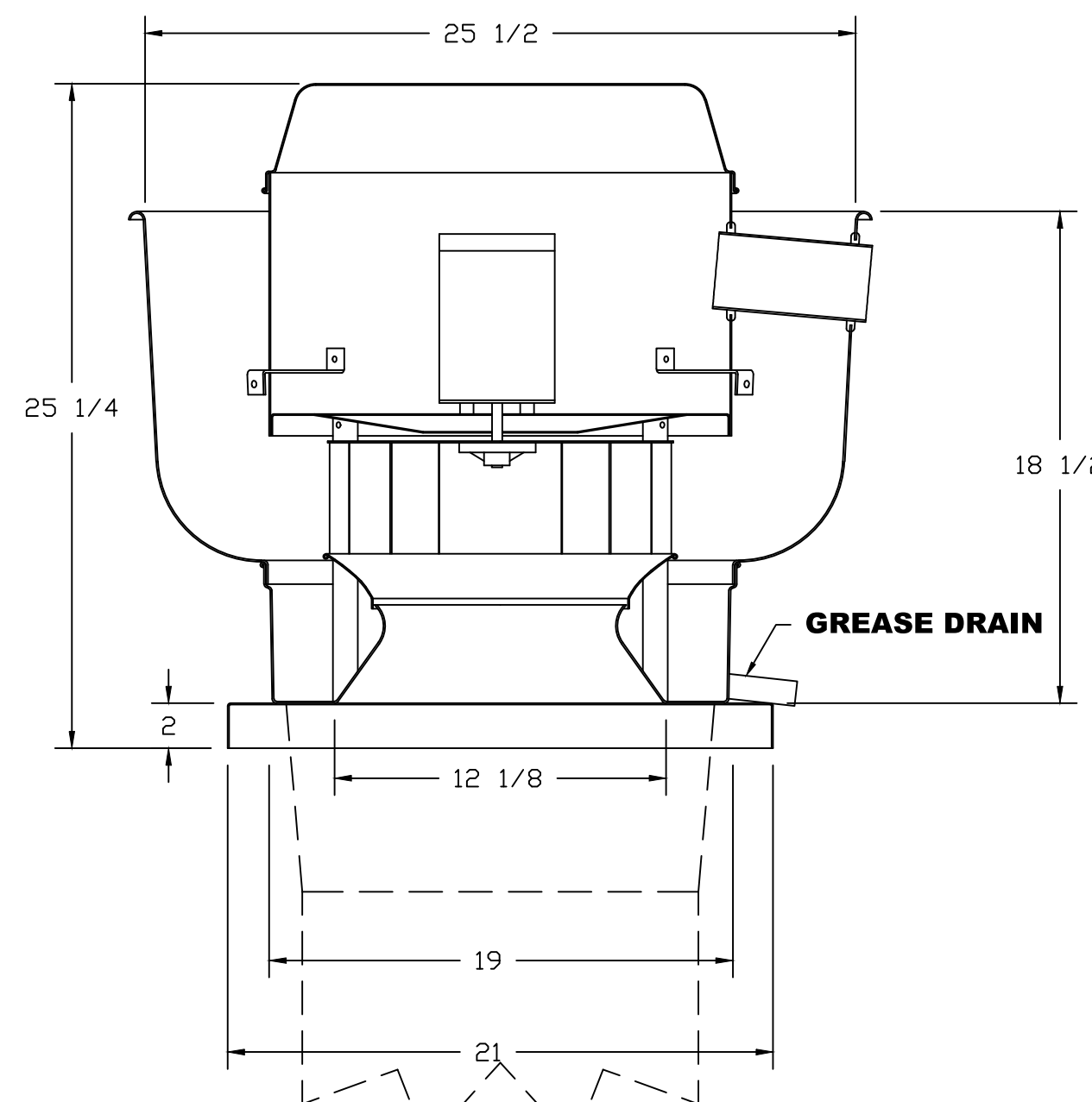
FAN OPTIONS

FAN UNIT NO.	TAG	OPTION (Qty. - Descr.)
3	EF-2	1 - Grease Box 1 - ECM Wiring Package-Exhaust - Manual or 0-10VDC Reference Speed Control (NIDEC Motor)

CURB ASSEMBLIES

NO.	ON FAN	TAG	WEIGHT	ITEM	SIZE
3	# 3	EF-2	27 LBS	Curb	19.500"W x 19.500"L x 20.000"H

FAN #3 DU33HFA - EXHAUST FAN (EF-2)

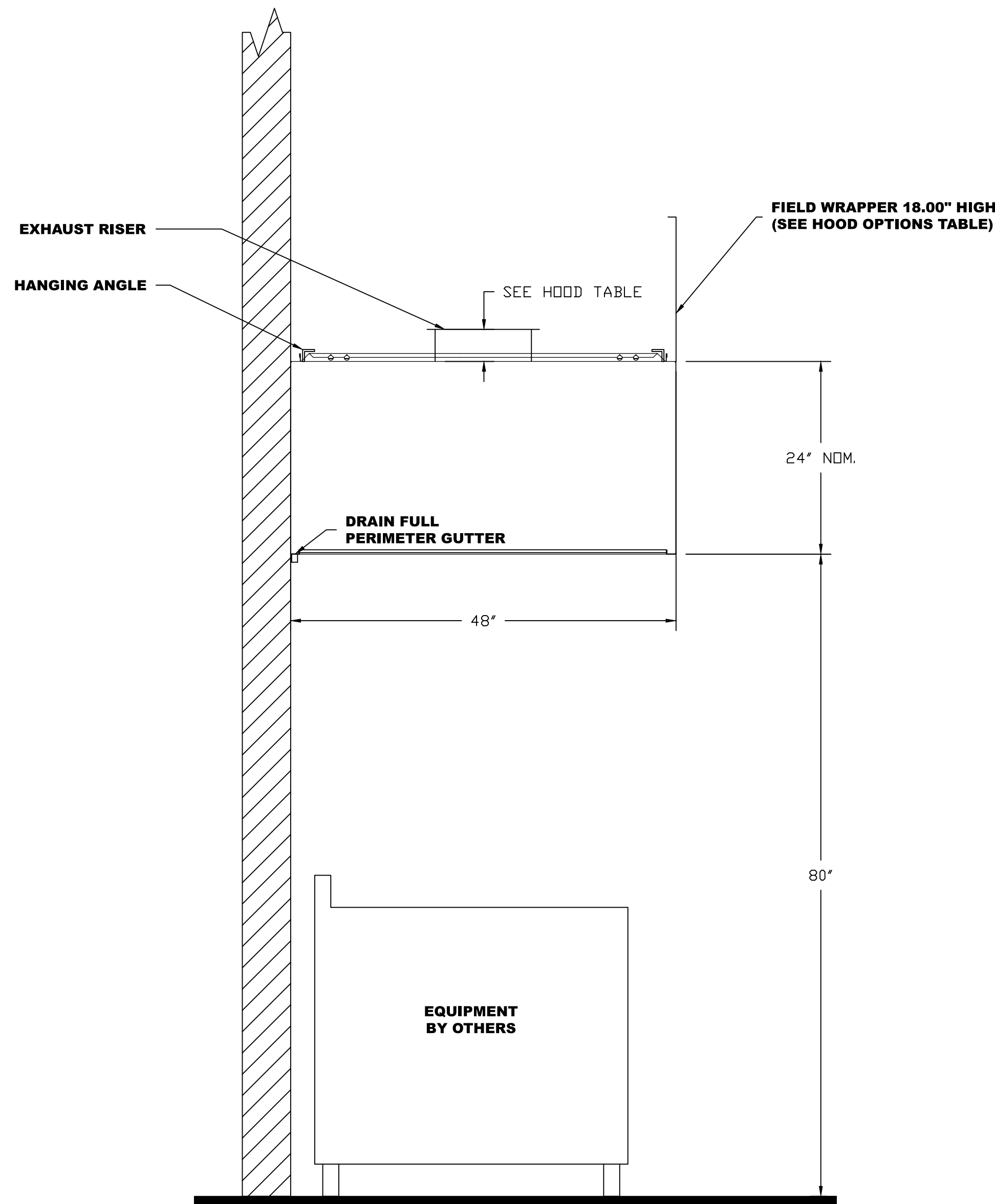
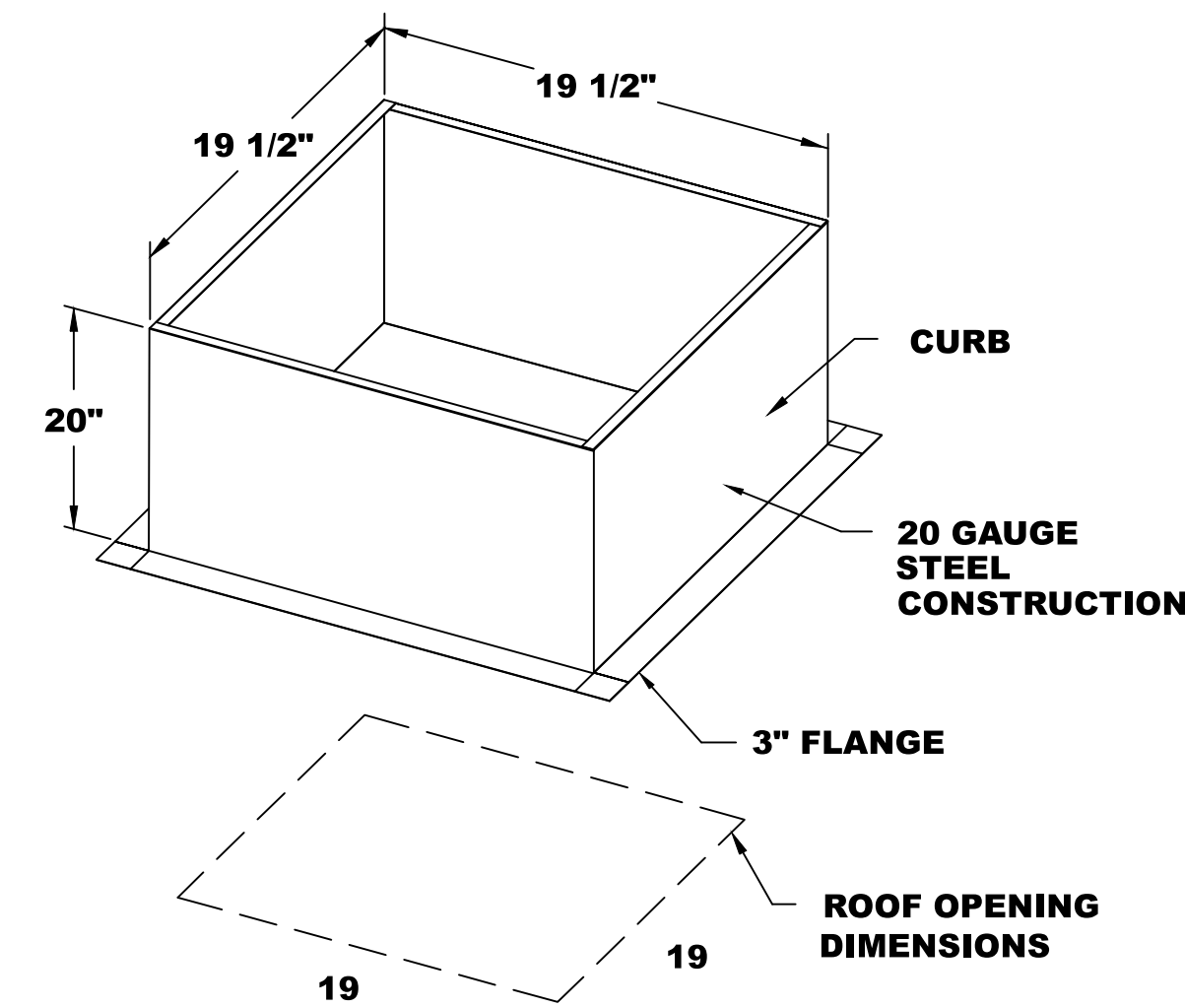


FEATURES:

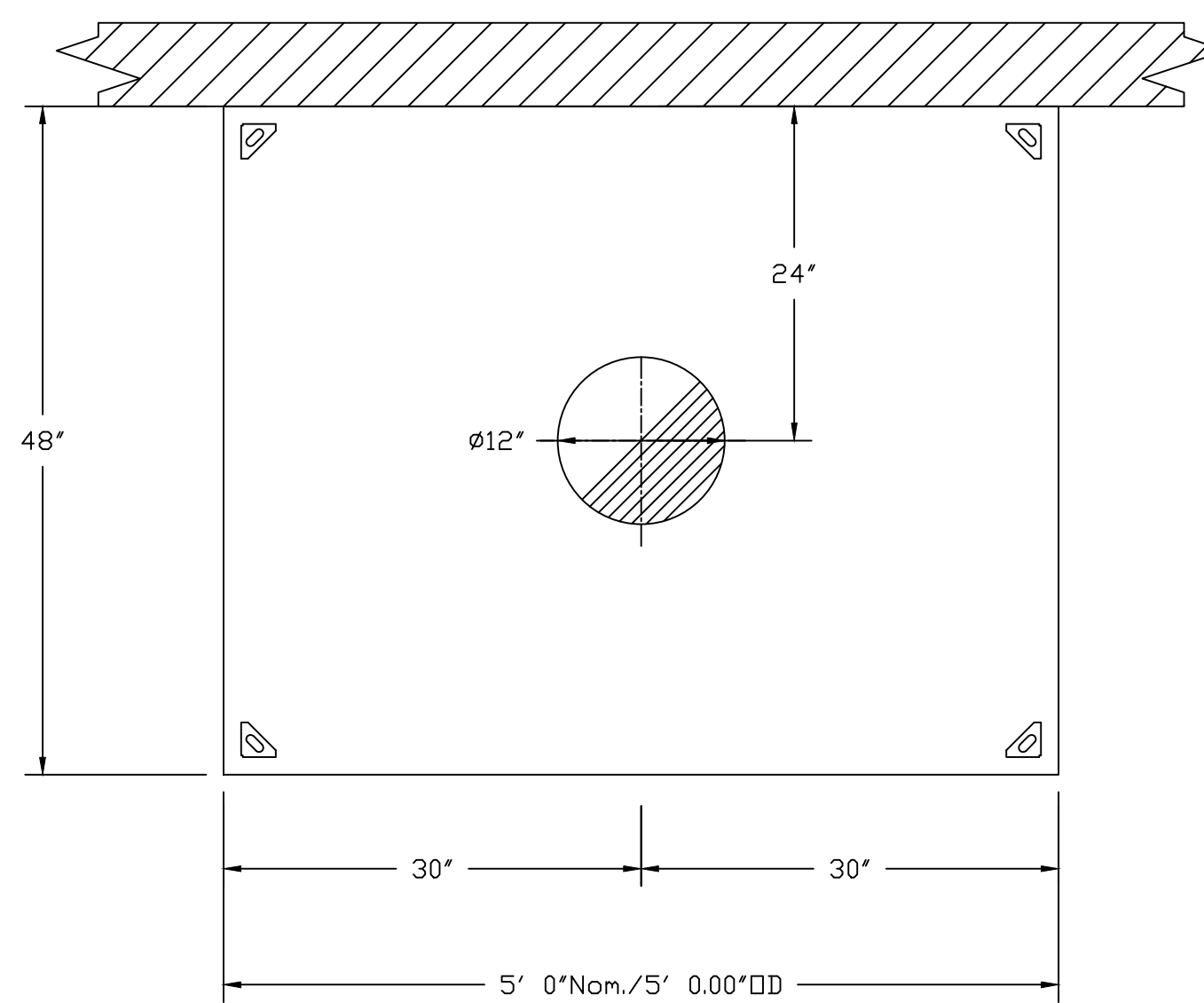
- DIRECT DRIVE CONSTRUCTION (NO BELTS/PULLEYS)
- ROOF MOUNTED FANS
- RESTAURANT MODEL
- UL705 AND UL762 AND ULC-S645
- VARIABLE SPEED CONTROL
- INTERNAL WIRING
- WEATHERPROOF DISCONNECT
- THERMAL OVERLOAD PROTECTION (SINGLE PHASE)
- HIGH HEAT OPERATION 300°F (149°C)
- GREASE CLASSIFICATION TESTING

NORMAL TEMPERATURE TEST
EXHAUST FAN MUST OPERATE CONTINUOUSLY WHILE EXHAUSTING AIR AT 300°F (149°C) UNTIL ALL FAN PARTS HAVE REACHED THERMAL EQUILIBRIUM, AND WITHOUT ANY DETERIORATING EFFECTS TO THE FAN WHICH WOULD CAUSE UNSAFE OPERATION.

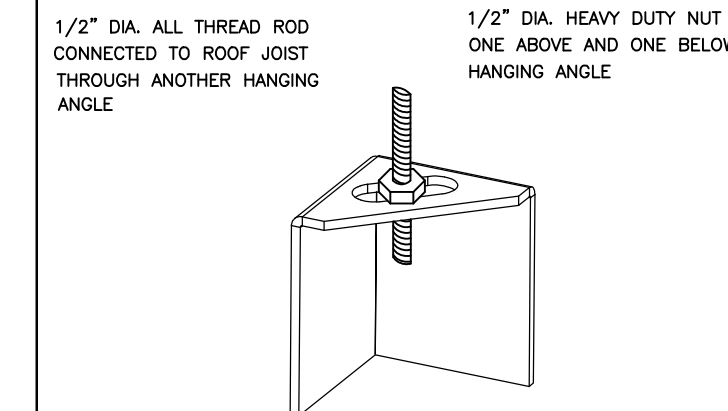
ABNORMAL FLARE-UP TEST
EXHAUST FAN MUST OPERATE CONTINUOUSLY WHILE EXHAUSTING BURNING GREASE VAPORS AT 600°F (316°C) FOR A PERIOD OF 15 MINUTES WITHOUT THE FAN BECOMING DAMAGED TO ANY EXTENT THAT COULD CAUSE AN UNSAFE CONDITION.



SECTION VIEW - MODEL 4824VHB-G



PLAN VIEW - Hood #2
5' 0.00" LONG 4824VHB-G



ND-2 HANGING ANGLE DETAIL

HOOD STYLE	DIM FROM REAR	DIM FROM FRONT (24" H)	DIM FROM FRONT (30" H)
CANOPY ND2	4.166"	2.246"	2.246"
ND2-PSF-F	4.166"	2.246"	2.246"
BACKSHELF 2847BD	2.00"	14.25"	-
VHB/VHB-G	3.6"X3.6"	4.2"X4.2"	4.8"X4.8"
FRONT/BACK DIMS BY SIZE	2.246"	2.246"	2.246"

HANGING ANGLE LOCATIONS

EXHAUST CFM=LENGTH OF HOOD X CFM/LIN.FT. (LOAD)
SUPPLY CFM=EXHAUST CFM X PERCENTAGE REQUIRED
TOTAL DUCT AREA=144 X CFM
DUCT LENGTH= TOTAL DUCT AREA / DUCT DEPTH

CALCULATIONS UTILIZED

CAPTIVE-AIRE HOODS ARE BUILT IN COMPLIANCE WITH:
ETL LISTED
UL STANDARD 710
Intertek
3054804-001 & 3054804-002
Listed under ETL File number 3054804-001/002

BUILDING CODES

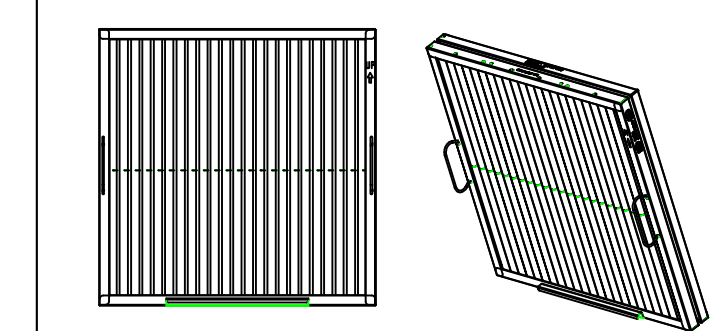
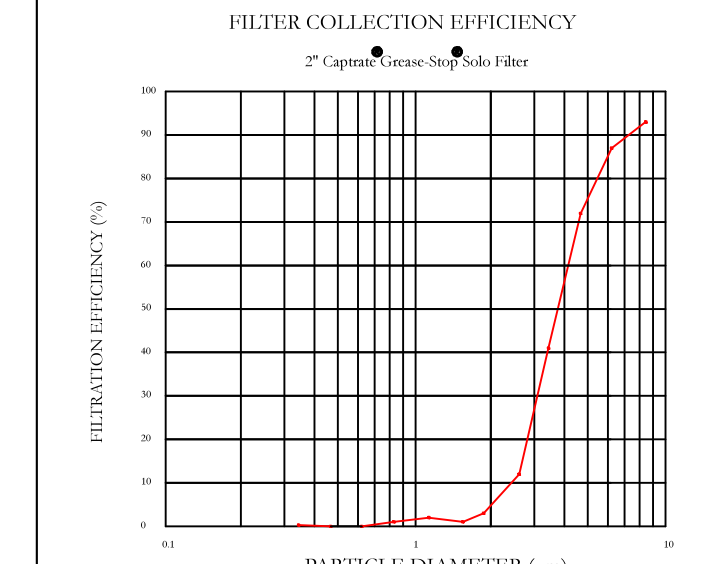
MATERIAL	CLEARANCE REDUCTION SYSTEM
NON-COMBUSTIBLE	NONE REQUIRED
LIMITED-COMBUSTIBLE	3" UNINSULATED STANDOFF
COMBUSTIBLE	1" INSULATED STANDOFF

CLEARANCE TO COMBUSTIBLES

INSTALLATION

- ALL ELECTRICAL "FIELD" CONNECTIONS AND RELATED INTERCONNECTIONS BY ELECTRICAL CONTRACTORS.
- ALL PLUMBING "FIELD" CONNECTIONS AND RELATED INTERCONNECTIONS BY PLUMBING CONTRACTORS.
- HANGING BRACKETS LOCATED AND WELDED AS SHOWN ON PLANS. ALL OTHER HANGER MATERIALS PROVIDED BY INSTALLING CONTRACTORS.
- ALL CONNECTIONS FROM CAPTIVE-AIRE DUCT PER MECHANICAL CONTRACTOR'S PLANS.
- COOKING EQUIPMENT TO SHUTOFF IN EVENT OF FIRE.
- EXHAUST FANS TO TURN ON IN EVENT OF FIRE.
- ALL LIGHTS FIXTURE SHOWN INSTALLED BY CAPTIVE-AIRE ARE FACTORY PREWIRED. INTERCONNECTIONS BETWEEN HOODS AND TO SWITCHES BY ELECTRICAL CONTRACTORS.
- LAMPS FOR LIGHT FIXTURES BY INSTALLING CONTRACTORS.
- SEISMIC RESTRAINTS ARE RESPONSIBILITY OF INSTALLING CONTRACTOR.
- INSTALLING CONTRACTORS ASSUME ALL RELATED RESPONSIBILITY FOR VERIFICATION OF DIMENSIONAL DATA CONTAINED ON THESE DOCUMENTS FOR ACCURACY, INTEGRATION, AND ADMINISTRATION OF CODE REQUIREMENTS IN EFFECT PRIOR TO ANY RELEASE FOR PRODUCTION OF EQUIPMENT SHOWN.
- KITCHEN HOODS MUST BE BALANCED WITH KITCHEN.
- KITCHEN SHALL BE NEGATIVE WITH RESPECT TO DINING AREA.
- RESTAURANT SHALL BE POSITIVE WITH RESPECT TO AMBIENT PRESSURE.

GENERAL NOTES



Captive-Aire Captrate Solo Filter
ETL Listed Grease Extracting Filters
Made From 430 Stainless Steel

FILTER DETAIL

REVISIONS		
NO.	DESCRIPTION	DATE
1	Added Dish Hood	05/24/18
2		
3		
4		
5		
6		
7		
8		
9		
10		



Jaffarya Center

DATE: 05-18-2018

DWG.#: 3415387

DRAWN BY: WLG-54

SCALE: Not To Scale

DESIGN

SHEET NO. 3

DuctWork #1 Parts - Job#3415387

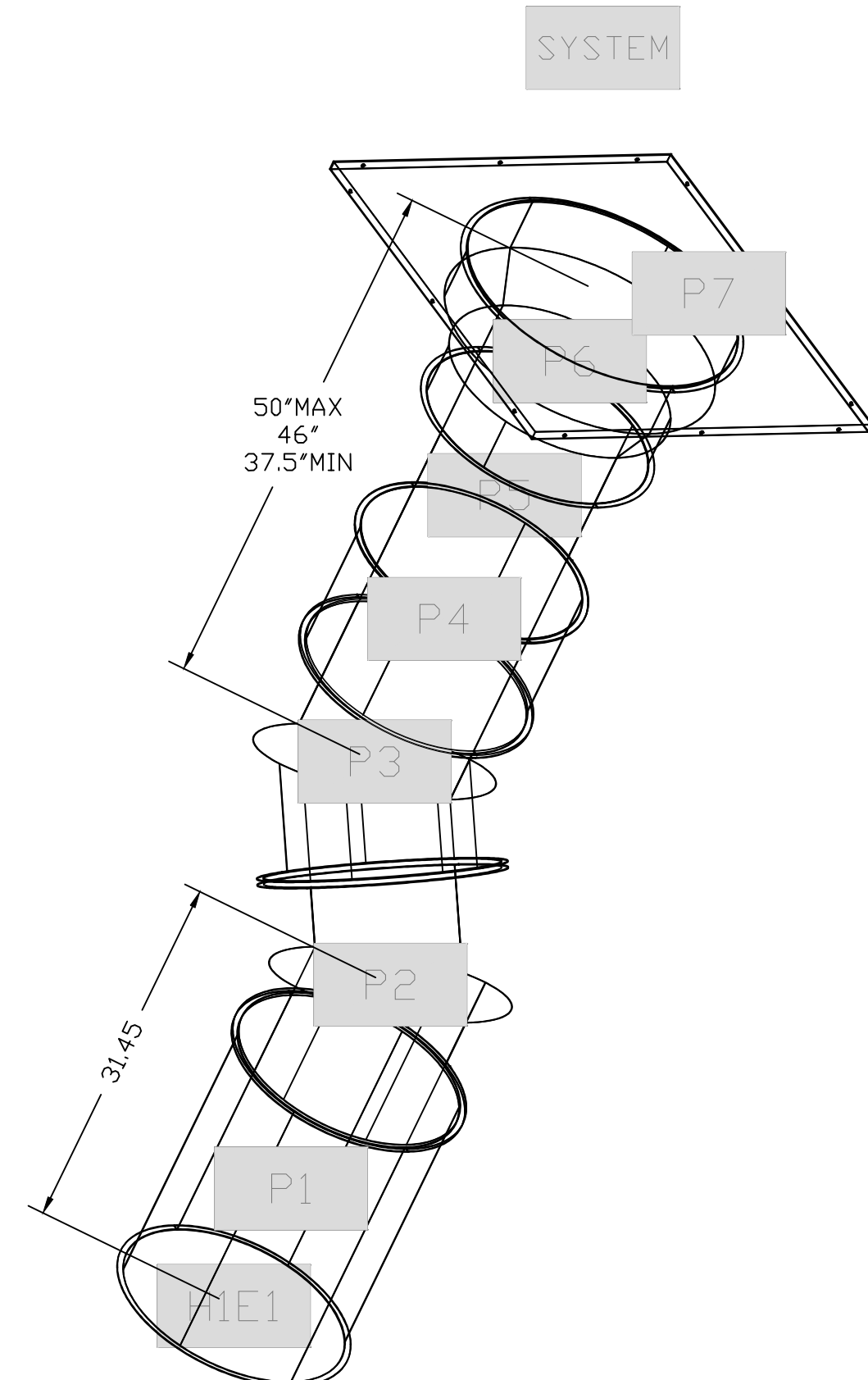
Tag	Part #	CFM	S.R.	Weight	Velocity	QTY	Description
P1	DW1823LT	2990	-0.006	13.85	1691.99	1	Single Wall Duct 18" diameter, 23" long, flange at both ends. Stainless Steel.
P2	DW1845ASY	2990	-0.0405	9.40	1691.99	1	Single Wall Duct 45 Degree Elbow, 18" Duct, Assembly.
P3	DW1845ASY	2990	-0.0313	9.40	1691.99	1	Single Wall Duct 45 Degree Elbow, 18" Duct, Assembly.
P4	DW1811LT	2990	-0.0027	6.92	1691.99	1	Single Wall Duct 18" diameter, 11" long, flange at both ends. Stainless Steel.
P5	DW1824AJDKIT	2990	-0.0033	32.81	1691.99	1	Single Wall Duct Adjustable, 18" diameter, 23.5" long, flange at one end With a 18" Adjustable Collar - Stainless Steel.
P6	DW1822ADP	2990	-0.022	12.00	1691.99	1	Single Wall Duct Adapter, 18" Duct Dia to 22" Duct Dia, Standard Part.
P7	DW3122TPDBEX	2990	0	23.00	1132.66	1	Duct to Curb Transition 3/4" Down Turn, 31-1/2" Curb to 22" Duct, 16 GA Aluminized. Non-Standard Part. For Use With Exhaust Fans.
	3M-2000PLUS			0.80		2	Duct - 3M Fire Barrier 2000 Plus Silicone - Used as sealant to Seal Duct Joints.
	DW18CLASY			1.60		6	Duct "V" Clamp With new design 14 Ga Brackets, 18" Duct, Assembly.
Total Weight				118.58			

SINGLE WALL FACTORY BUILT DUCTWORK

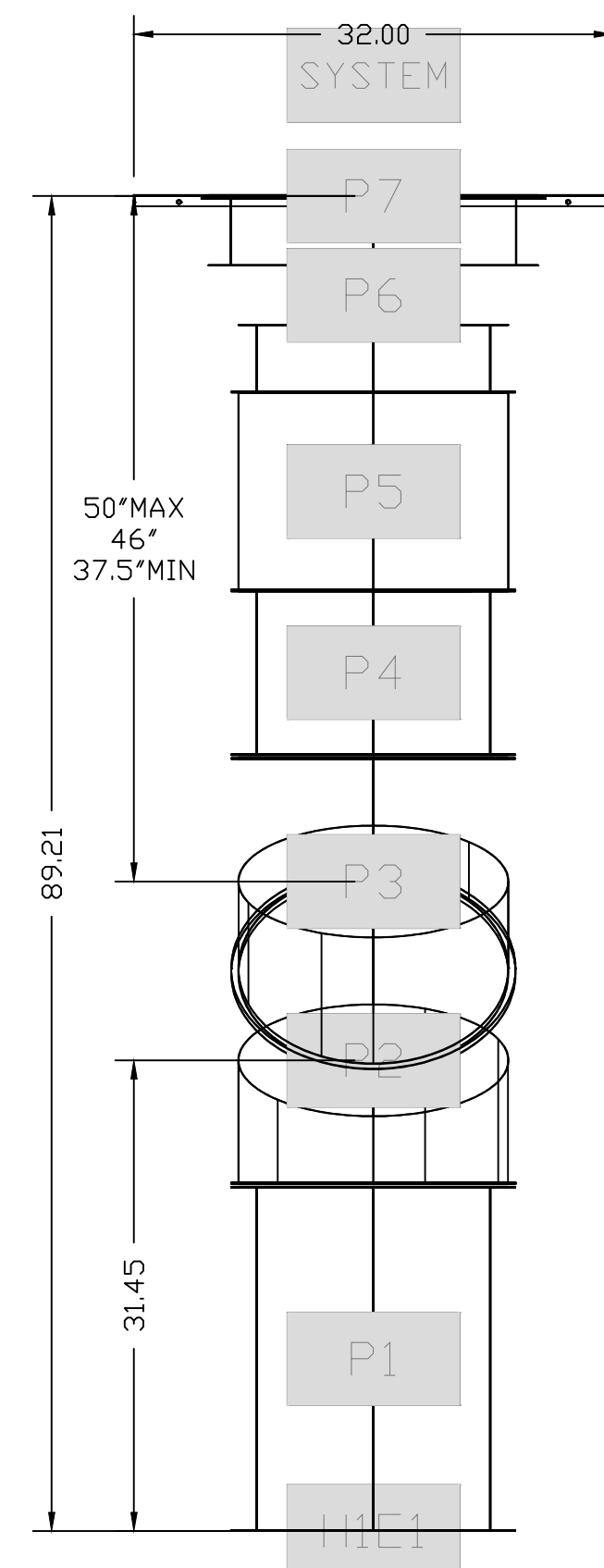
- ALL DUCTWORK IS REQUIRED TO BE INSTALLED WITH THE MAXIMUM SUPPORT SPACING LISTED BELOW.
- FOR A COMPLETE LIST OF APPROVED SUPPORT METHODS, SEE THE INSTALLATION AND OPERATION MANUAL.
- DUCTWORK SHALL SLOPE NOT LESS THAN 1/16" PER LINEAR FOOT TOWARDS THE HOOD OR AN APPROVED GREASE COLLECTION RESERVOIR.
- WHERE HORIZONTAL DUCTS EXCEED 75 FEET IN LENGTH, THE SLOPE SHALL NOT BE LESS THAN 3/16" PER LINEAR FOOT.

DUCT DIAMETER	HORIZONTAL SUPPORT (ft)	VERTICAL WALL SUPPORT (ft)	VERTICAL CURB SUPPORT (ft)
8"	10'	10'	24'
10"	10'	10'	24'
12"	10'	10'	24'
14"	10'	10'	24'
16"	10'	10'	24'
18"	10'	10'	24'
20"	10'	10'	24'
22"	10'	10'	24'
24"	10'	10'	24'

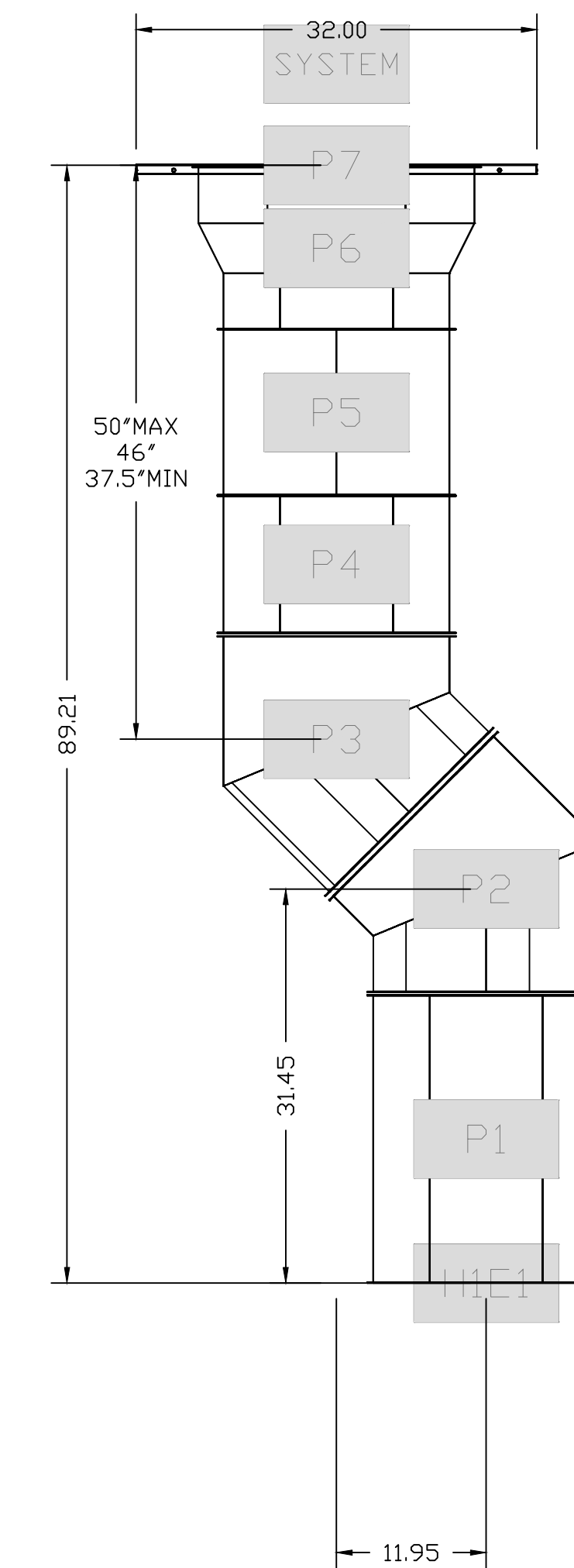
DuctWork #1 SE View



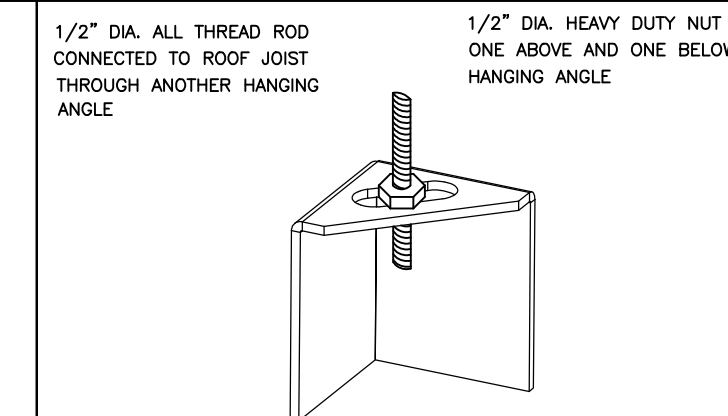
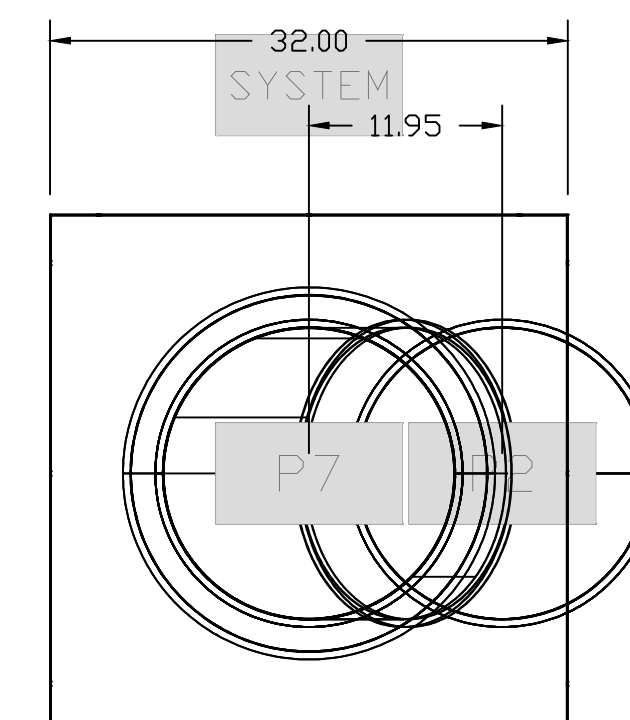
DuctWork #1 Side View



DuctWork #1 Front View



DuctWork #1 Top View



* ROD AND NUTS TO BE SUPPLIED BY INSTALLING CONTRACTOR
HANGING ANGLE IS PRE-PUNCHED AT FACTORY

ND-2 HANGING ANGLE DETAIL

HOOD STYLE	DIM FROM REAR	DIM FROM FRONT (24" H)	DIM FROM FRONT (30" H)
CANOPY ND2	4.166"	2.246"	2.246"
ND2-PSP-F	4.166"	2.246"	2.246"
BACKSHELF 2847BD	2.00"	14.25"	-
VHB/VHB-G	36"X36"	42"X42"	48"X48"
FRONT/BACK DIMS BY SIZE	2.246"	2.246"	2.246"

HANGING ANGLE LOCATIONS

EXHAUST CFM=LENGTH OF HOOD X CFM/LIN.FT. (LOAD)
SUPPLY CFM=EXHAUST CFM X PERCENTAGE REQUIRED
TOTAL DUCT AREA=144 X CFM(C)
DUCT LENGTH= TOTAL DUCT AREA / DUCT DEPTH

CALCULATIONS UTILIZED

* CAPTIVE-AIRE VENTILATOR DUCT SIZES ARE CALCULATED USING AN EXHAUST VELOCITY OF 1500-1800 FPM AND A SUPPLY VELOCITY OF 1000 FPM.
CAPTIVE-AIRE HOODS ARE BUILT IN COMPLIANCE WITH:
ETL LISTED & 3054804-001 & 3054804-002
Listed under ETL File number 3054804-001/002

BUILDING CODES

MATERIAL	CLEARANCE REDUCTION SYSTEM
NON-COMBUSTIBLE	NONE REQUIRED
LIMITED-COMBUSTIBLE	3" UNINSULATED STANDOFF
COMBUSTIBLE	1" INSULATED STANDOFF

CLEARANCE TO COMBUSTIBLES

INSTALLATION

1. ALL ELECTRICAL "FIELD" CONNECTIONS AND RELATED INTERCONNECTIONS BY ELECTRICAL CONTRACTORS.
2. ALL PLUMBING "FIELD" CONNECTIONS AND RELATED INTERCONNECTIONS BY PLUMBING CONTRACTORS.
3. HANGING BRACKETS LOCATED AND WELDED AS SHOWN ON PLANS. ALL OTHER HANGER MATERIALS PROVIDED BY INSTALLING CONTRACTORS.
4. ALL CONNECTIONS FROM CAPTIVE-AIRE DUCT PER MECHANICAL CONTRACTOR'S PLANS.
5. COOKING EQUIPMENT TO SHUTOFF IN EVENT OF FIRE.
6. EXHAUST FANS TO TURN ON IN EVENT OF FIRE.
7. ALL LIGHTS FIXTURE SHOWN INSTALLED BY CAPTIVE-AIRE ARE FACTORY PROVIDED. INTERCONNECTIONS BETWEEN HOODS AND TO SWITCHES BY ELECTRICAL CONTRACTORS.
8. LAMPS FOR LIGHT FIXTURES BY INSTALLING CONTRACTORS.
9. SEISMIC RESTRAINTS ARE RESPONSIBILITY OF INSTALLING CONTRACTOR.
10. INSTALLING CONTRACTORS ASSUME ALL RELATED RESPONSIBILITY FOR VERIFICATION OF DIMENSIONAL DATA CONTAINED ON THESE DOCUMENTS FOR ACCURACY, INTEGRATION, AND ADMINISTRATION OF CODE REQUIREMENTS IN EFFECT PRIOR TO ANY RELEASE FOR PRODUCTION OF EQUIPMENT SHOWN.

BALANCE

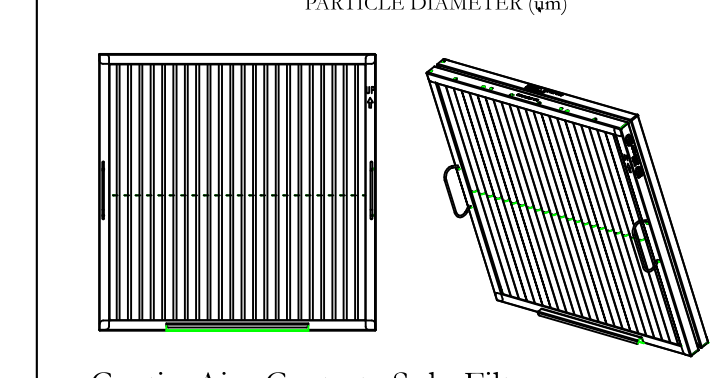
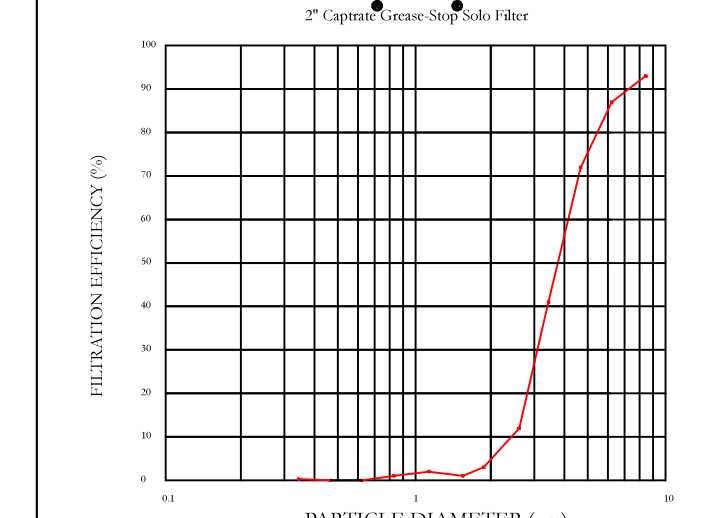
11. KITCHEN HOODS MUST BE BALANCED WITH KITCHEN.
12. KITCHEN SHALL BE NEGATIVE WITH RESPECT TO DINING AREA.
13. RESTAURANT SHALL BE POSITIVE WITH RESPECT TO AMBIENT PRESSURE.

ADDITIONAL

14. WRITTEN HOOD DIMENSIONS HAVE PRECEDENCE OVER SCALE.
15. SIGNED AND "APPROVED" COPIES OF THIS DOCUMENT MUST BE RECEIVED BY THE FACTORY PRIOR TO COMMENCEMENT OF FABRICATION.

GENERAL NOTES

FILTER COLLECTION EFFICIENCY



Captive-Aire Captrate Solo Filter
ETL Listed Grease Extracting Filters
Made From 430 Stainless Steel

FILTER DETAIL

REVISIONS

NO.	DESCRIPTION	DATE
1	Added Dish Hood	05/24/18
2		
3		
4		
5		
6		
7		
8		
9		
10		

CAPTIVE-AIRE
UPSTATE NEW YORK REGIONAL OFFICE
www.captiveaire.com
349 W Commercial St., Suite #2370, East Rochester, NY 14445 PHONE: (585) 348-9118 FAX: (919) 227-5927 EMAIL: reg54@captiveaire.com

Jaffarya Center

DATE: 05-18-2018

DWG.#: 3415387

DRAWN BY: WLG-54

SCALE: Not To Scale

DESIGN

SHEET NO. 4